

# SUPERSTONE 84" X 40" RECTANGULAR TABLE TOP

## Assembly Instructions

### THIS ASSEMBLY REQUIRES TWO PEOPLE

#### ITEMS INCLUDED IN THE HARDWARE KIT:

- 1) EIGHT (8) STAINLESS STEEL BOLTS
- 2) EIGHT (8) STAINLESS STEEL LOCK WASHERS
- 3) EIGHT (8) STAINLESS STEEL FLAT WASHERS
- 4) ONE (1) ALLEN WRENCH

#### PARTS INCLUDED:

- 1) ONE (1) SUPERSTONE TABLE TOP

#### STEP 1:

With another person, place your top on a padded, non-abrasive surface with bottom facing upward. Align table base with holes on the table top.

#### STEP 2:

Insert one allen bolt with lock & flat washers into each threaded holes on the table top. **Hand tight only. Do not continue until all bolts are properly aligned with each holes.**

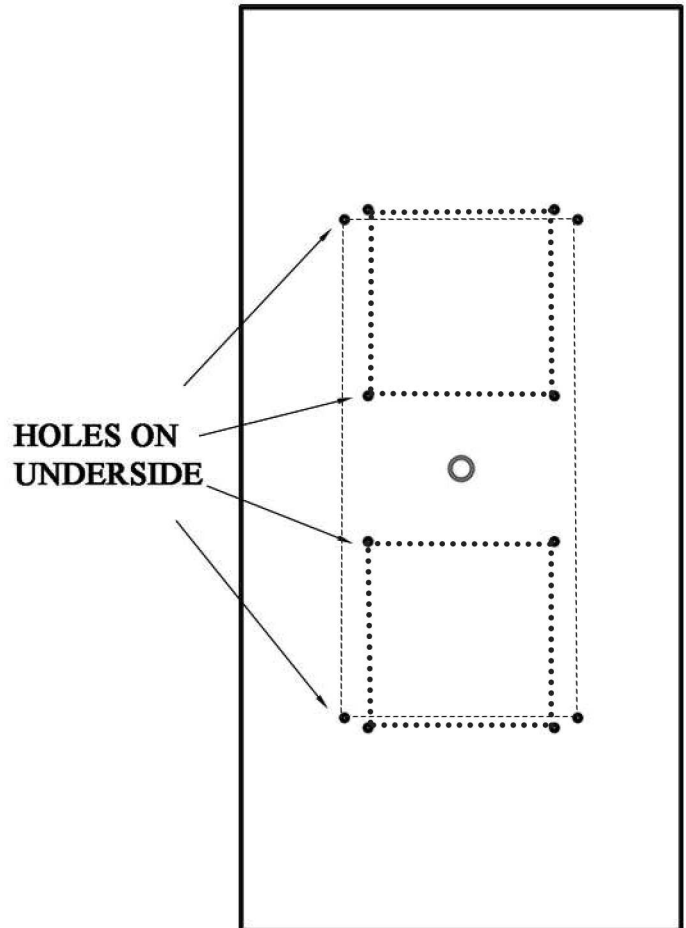
#### STEP 3:

Tighten all bolts using the included allen wrench. **Do not over tighten. Do not use electric drill.**

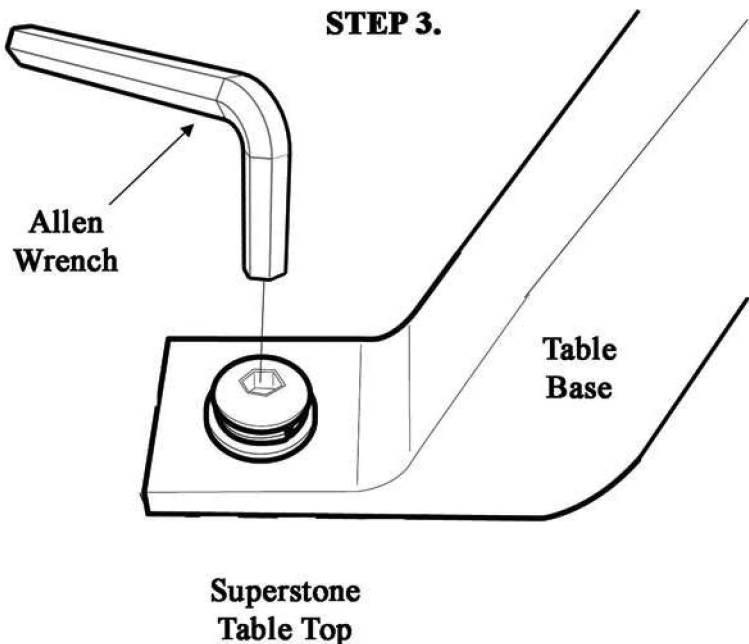
#### STEP 4:

Once assembled, flip table & base so that it stands on the table base.

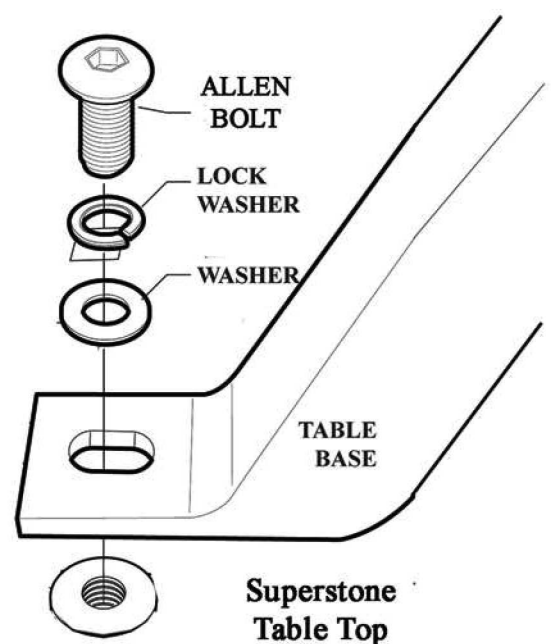
#### STEP 1.



#### STEP 3.



#### STEP 2.



## SUPERSTONE TABLE TOPS CARE INSTRUCTIONS

### **SUPERSTONE**

Super stone was developed to meet the demand for an economical alternative to natural stone materials. Superstone is a 5 layer composite system comprising of cement fiber board, high performance bonding agents, natural mineral granules, aluminum honeycomb core and hardwearing topcoat with UV inhibitors. These components ensure years of durability and enjoyment from your Superstone tabletop.

### **Aftercare instructions**

- In order to ensure many years of satisfaction from your Superstone tabletop, please pay attention to the following aftercare guidelines:
- Clean the tabletop regularly using a soft brush and water. If heavily soiled, you may add a small amount of dish cleaning liquid to lukewarm water, then rinse thoroughly with clean water.

### **To prevent damaging your tabletop, please avoid the following:**

- Do not cover the table with plastic or canvas covers. This can encourage the growth of mold which can discolor the tabletop surface.
- Do not use strong chemical cleaning agents, abrasives or solvents. These will damage the surface.
- Mop-up any spillage with a damp cloth or sponge.
- Do not allow any spilled wine or vegetable oil to stand for any length of time as these may create stains. Clean up quickly.

**Not abiding by the guidelines may invalidate the warranty.**