

## AUDREY COFFEE TABLE Assembly Instructions

**THIS ASSEMBLY REQUIRES TWO PEOPLE**

**ITEMS INCLUDED IN THE HARDWARE KIT:**

- 1) FOUR (4) STAINLESS STEEL ALLEN BOLTS.
- 2) FOUR (4) STAINLESS STEEL FLAT WASHERS.
- 3) ONE (1) ALLEN WRENCH.

**PARTS INCLUDED:**

- 1) ONE (1) STONE TOP.

**STEP 1:**

With another person, place the top on a padded non-abrasive surface with bottom facing upward. Align the holes of the table base with the holes on the table top.



**STEP 2:**

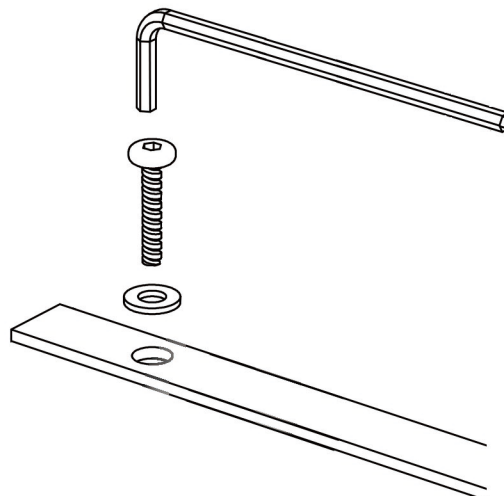
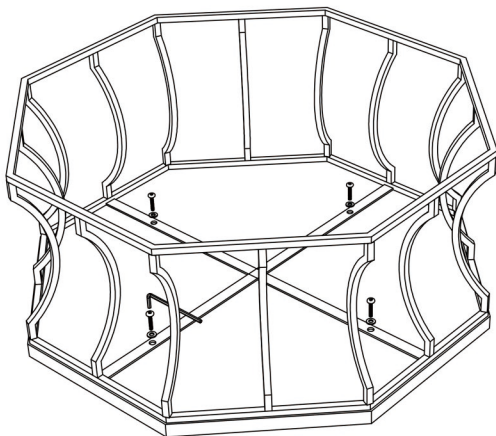
Insert one allen bolt with flat washer into each threaded holes on the table top. **Hand tight only. Do not continue until all bolts are properly aligned with each holes.**

**STEP 3:**

Tighten all bolts using the included allen wrench. **Do not over tighten. Do not use electric drill.**

**STEP 4:**

Once assembled, flip the table and base so that it stands on the table base.



ALLEN WRENCH

ALLEN BOLT

FLAT WASHER