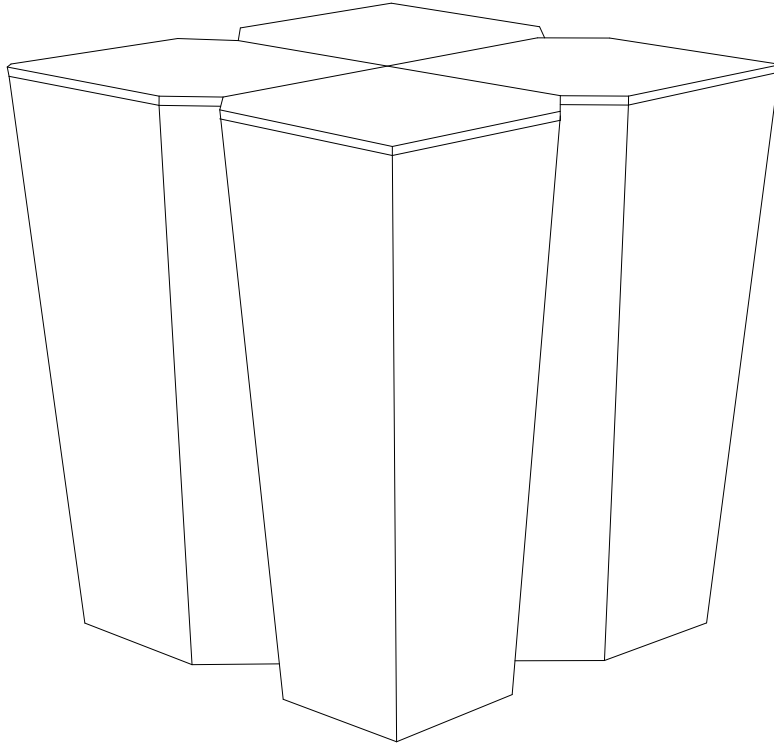
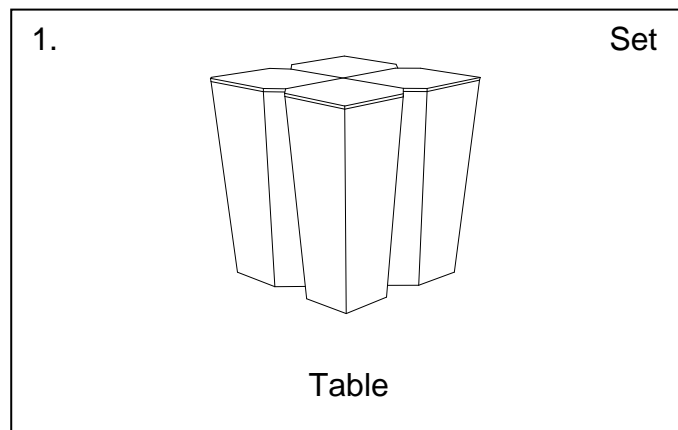




**SCH-170205 ARTHUR SIDE TABLE
ASSEMBLY INSTRUCTION**

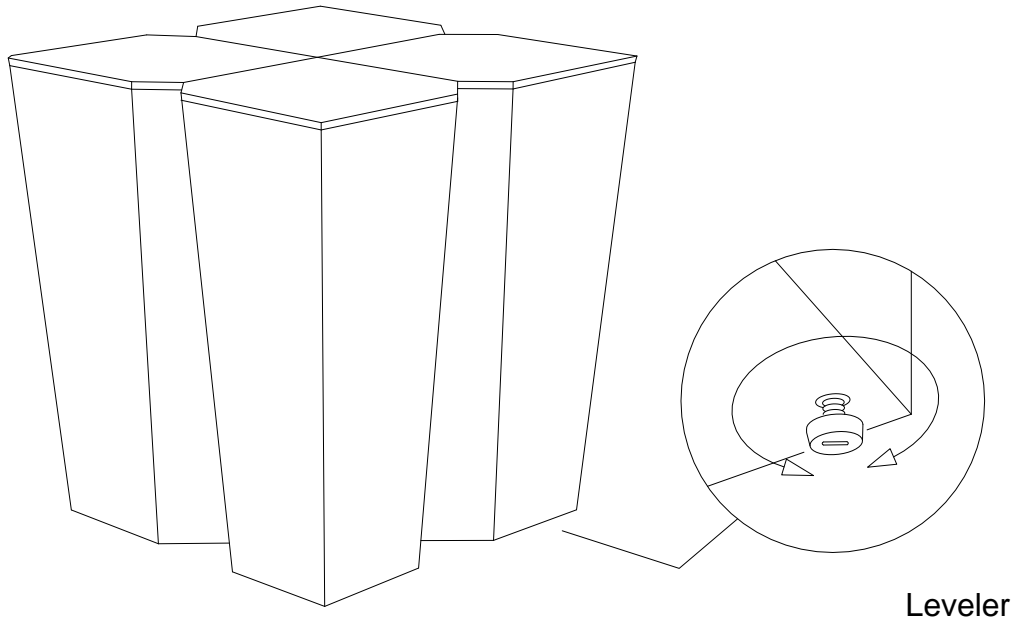


PARTS:





SCH-170205 ARTHUR SIDE TABLE ASSEMBLY INSTRUCTION



STEP 1

- If the floor is uneven adjust the levelers located at the underside of the Base, to do this lift Up the side that need to be elevated to provide access to the levelers, turn the leveler until adequate contact with the floor.