

BROOKSIDE SQUARE END TABLE

Assembly Instruction

PARTS INCLUDED

- 1) ONE (1) TABLE TOP
- 2) FOUR (4) LEGS

HARDWARE/TOOLS INCLUDED

- 1) EIGHT (8) ALLEN BOLTS (M8x56)
- 2) EIGHT (8) FLAT WASHERS
- 3) EIGHT (8) LOCK WASHERS
- 4) ALLEN WRENCH

STEP 1

PLACE THE TOP UPSIDE DOWN POSITION ON A PADDED FLOOR. ALIGN THE LEGS AT THE CORNERS OF THE APRON AS SHOWN IN FIGURE 1. SECURE THE LEGS USING THE ALLEN BOLTS (M8x56) WITH LOCK WASHERS AND FLAT WASHERS. AS SHOWN IN FIGURE 2. HAND TIGHT ONLY.

STEP 2

ENSURE ALL LEGS ARE LINED UP PROPERLY AND TIGHTEN ALL BOLTS USING THE ALLEN WRENCH PROVIDED. TURN THE ASSEMBLED TABLE UPRIGHT AND IT IS READY TO USE.

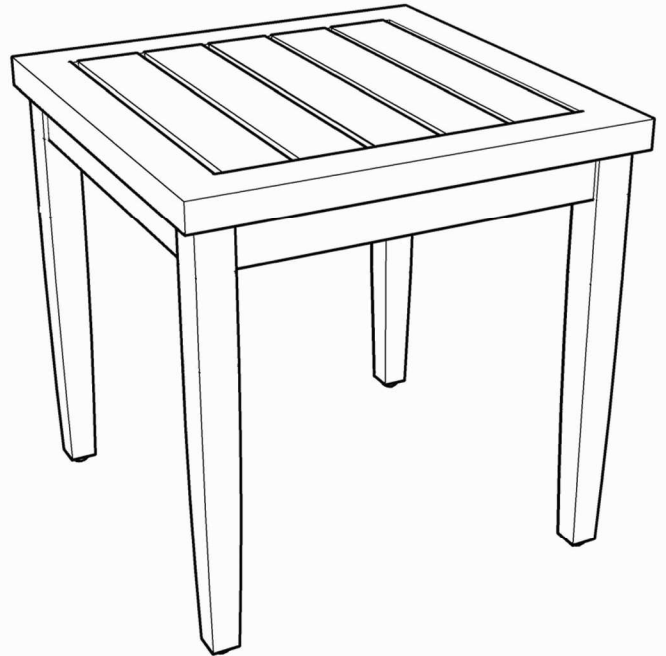


FIGURE 1

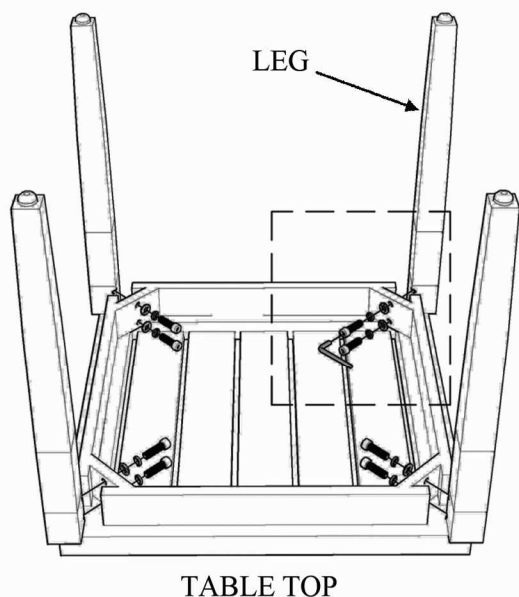


FIGURE 2

