



SCH-167225 BECKETT DINING TABLE ASSEMBLY INSTRUCTION

Hardware Include :

No	Part	Description	Qty
A		Flat Washer M10	8 pcs
B		Spring Washer M10	8 pcs
C		Hex Nut M10	8 pcs
D		Wrench 17	1 pc

Parts Include :

No	Description	Qty
1	Side Top	1 pc
2	Legs	4 pcs
3	Leaf Top	1 pc

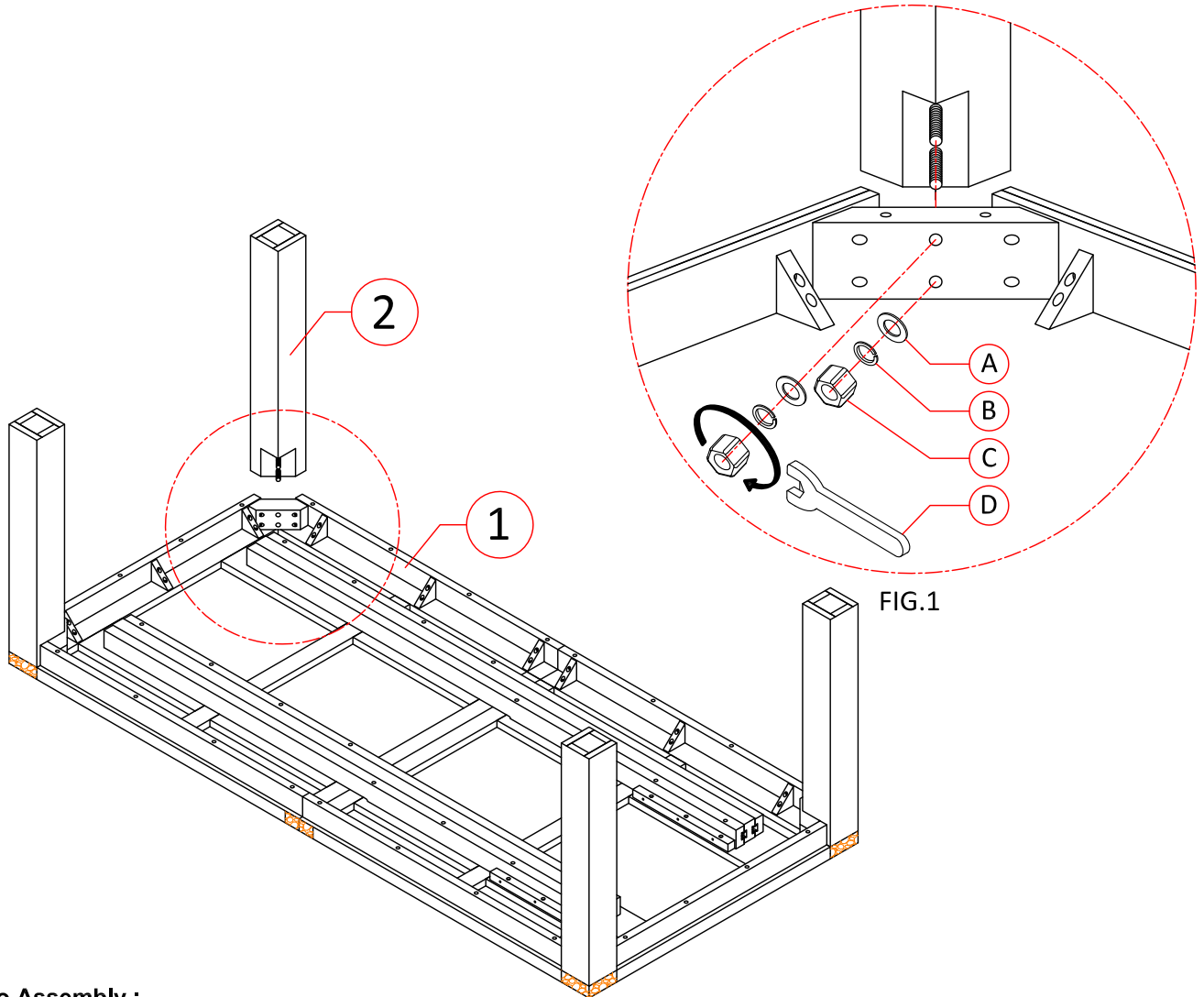


FIG.1

How to Assembly :

Require two persons to perform this assembly process .

1. Cover the Assembly Area with a clean soft blanket or pad to protect the product from scratches and dents while being assembled;
2. Please lay Table Top (1) upside down on the floor that has been lined with thick soft cloth to protect the table top from direct contact to the floor and scratch the top;
3. Please slide Legs (2) in the wooden corner bracket on the Side Top (1) corners. Make sure the legs are slide completely to the end and on every threaded rods from the legs, please place the fastening hardware starting from Flat Washer M10 (A), Spring Washer M10 (B), and Hex Nut M10 (C). By using the provided Wrench 17 (D), please fasten the Hex Nut by turning it clock wise until it fastened completely. Make sure all 4 legs are assembled correctly and the legs are sturdy. During the use of this table, it might be required to check and fastening the hex nut periodically;

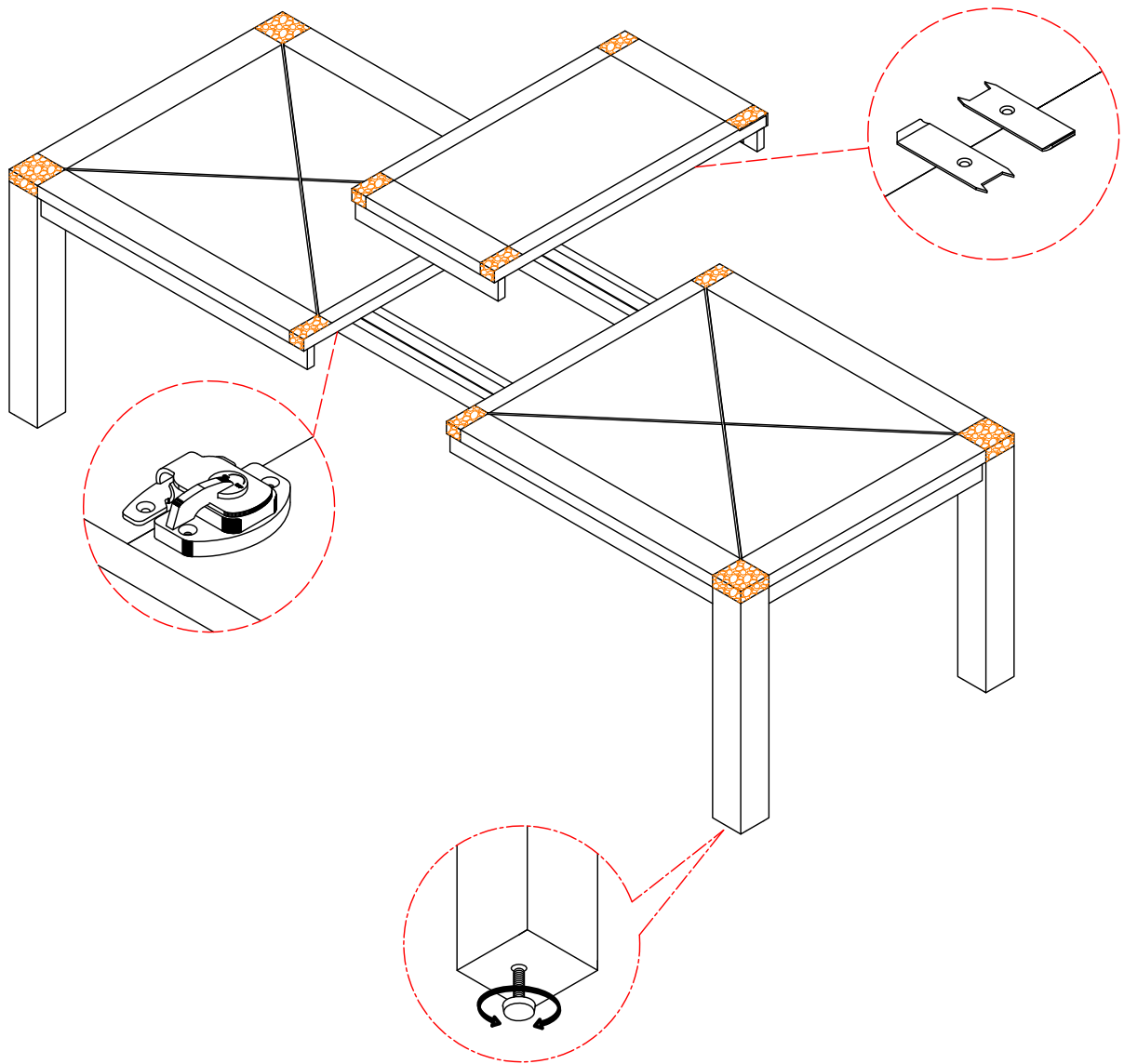


FIG.2

4. Due to the product weight, this step strictly needs 2 persons to perform;
Please carefully turn the assembled table so it stands on its 4 legs and move the table to the desired position;
5. Open sliding sideways before pairing leaves to body assemblies. Using the table leaves. Open the metal lock under the table top as shown in the diagram. Pull out the table top;
Place the leaves on the metal slides. Push in the top table, and lock them using metal lock;
6. If the floor is uneven, the levelers located at the underside of the Leg, to do this lift up the side that needs to be elevated to provide access to the levelers, turn the leveler until adequate contact with the floor as shown FIG.2.