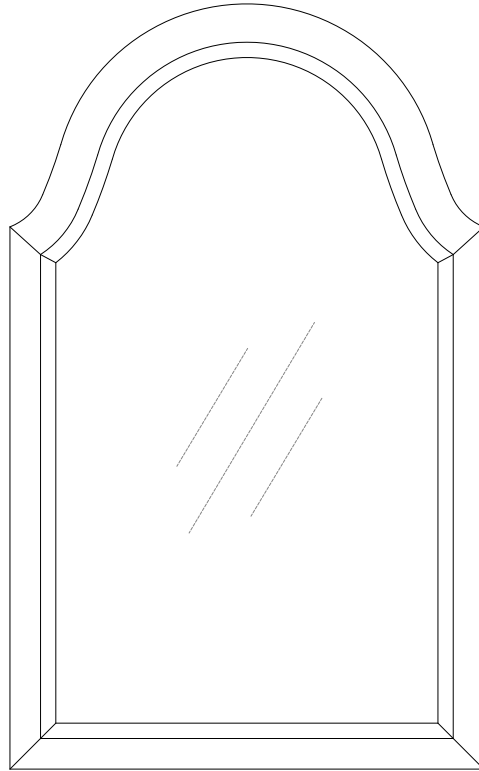




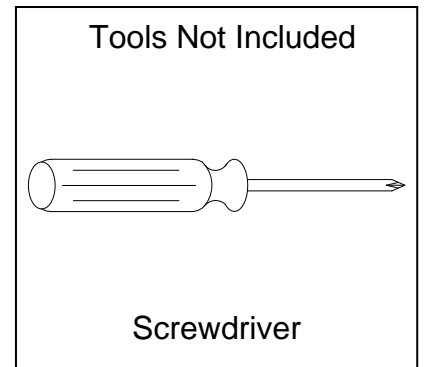
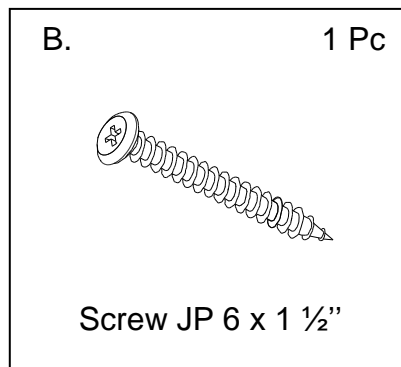
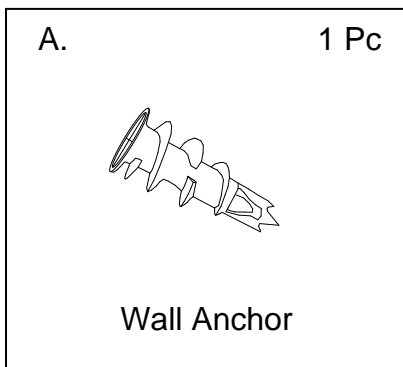
BRONSON MIRROR ASSEMBLY INSTRUCTION

HARDWARE INCLUDE:

- A. 1- Wall Anchor
- B. 1- Screw JP

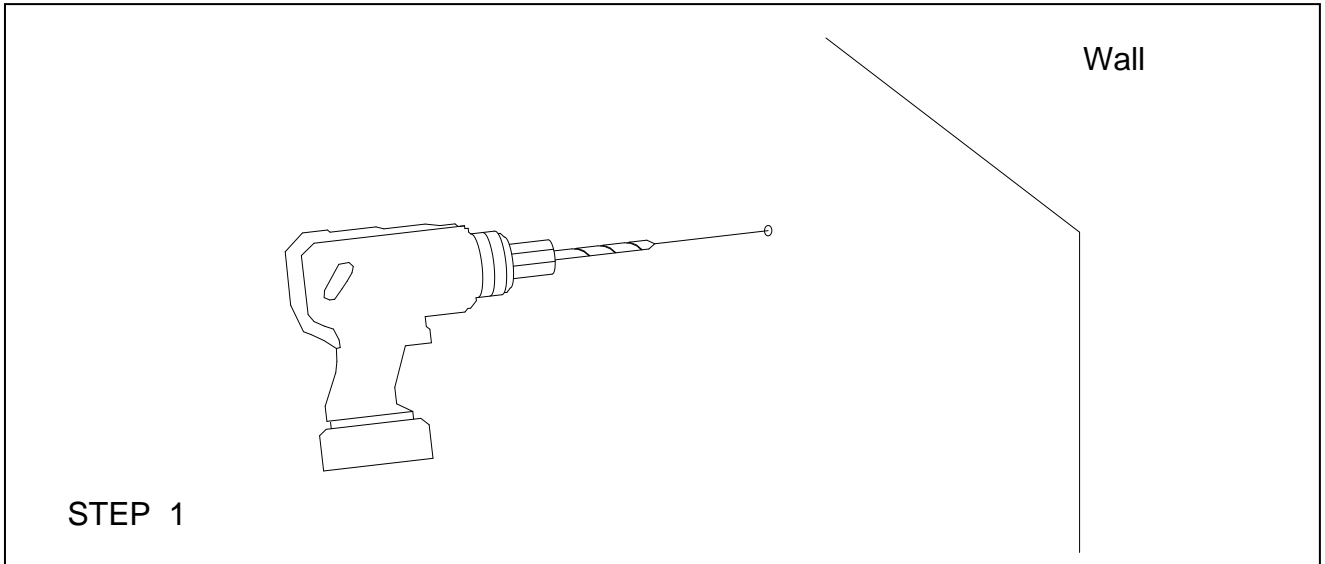


HARDWARE :

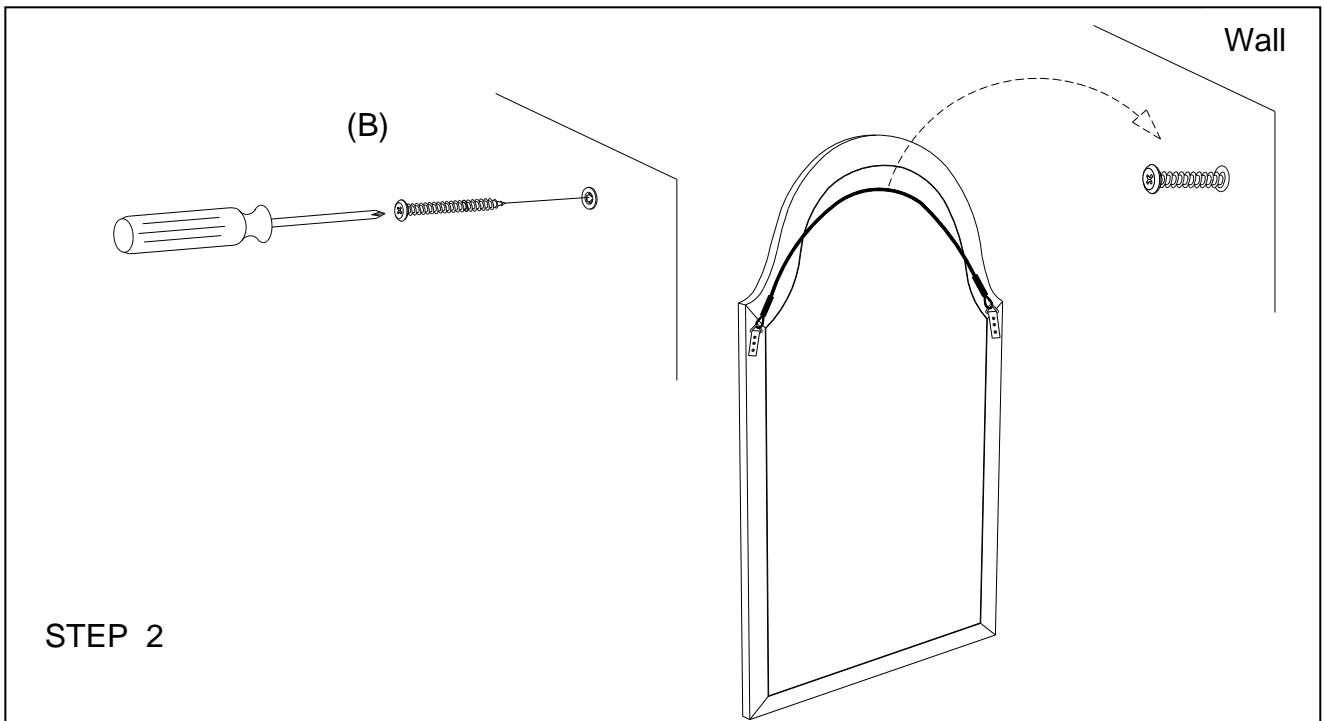




BRONSON MIRROR ASSEMBLY INSTRUCTION



- Mark the wall to the desired height against the wall stud and make a pre-hole for the screw.
Note: Wall anchor are included for dry wall.



- Insert a provided screw into the pre-hole. Use the screwdriver to rotate the screw clockwise until the screw is about 10mm from the wall.
- With the help of another person, lift the mirror against the wall so the wire rope align and engage with the protruding screw. Gently lower the mirror to finally hang up.