

# SUMMER CLASSICS

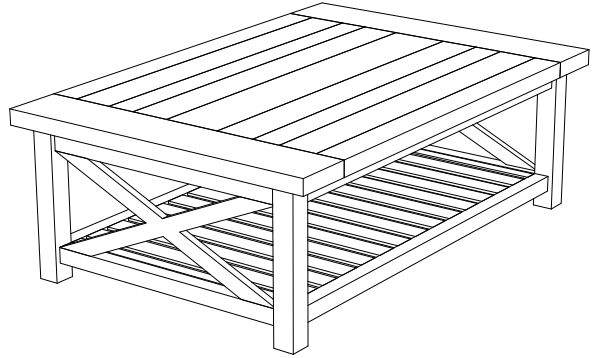
## CAHABA COFFEE TABLE ASSEMBLY INSTRUCTION

### **PARTS INCLUDED**

1. ONE (1) TOP FRAME
2. ONE (1) APRON
3. TWO (2) SIDE FRAMES
4. ONE (1) FLOORING

### **HARDWARE / TOOLS INCLUDED**

1. EIGHT (8) LONG ALLEN BOLTS
2. EIGHT (8) SHORT ALLEN BOLTS
3. SIXTEEN (16) LOCK WASHERS
4. SIXTEEN (16) FLAT WASHERS
5. ONE (1) ALLEN WRENCH



### **STEP 1**

PLACE THE TOP ON THE PROTECTED SURFACE IN UPSIDE DOWN WITH THE TABS (WITH HOLES) FACING UP. PLACE THE APRON ON THE INVERTED TOP, ALIGN EACH CORRESPONDING TAB HOLES AND INSERT THE SHORT ALLEN BOLTS, LOCK AND FLAT WASHERS PROVIDED AS SHOWN IN FIGURE 1. HAND TIGHT ONLY.

### **STEP 2**

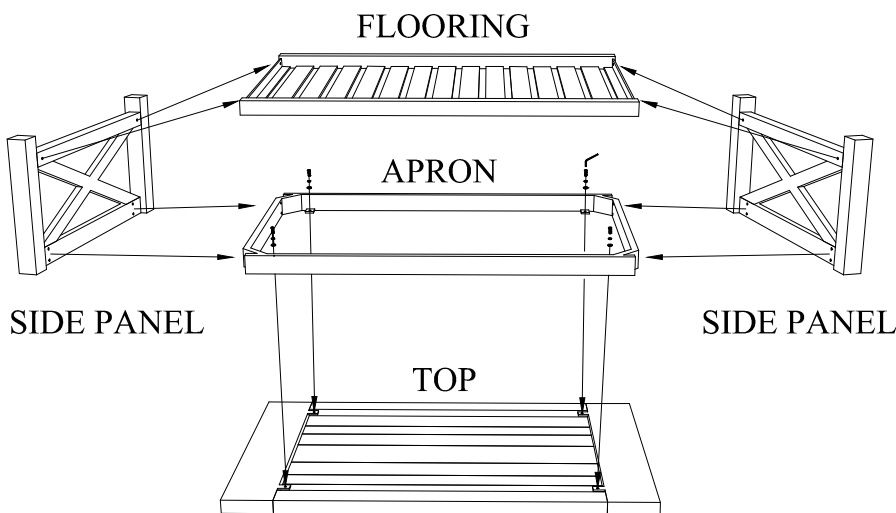
ASSEMBLE THE SIDE PANELS AND APRON USING THE LONG ALLEN BOLTS, LOCK AND FLAT WASHERS PROVIDED AS SHOWN IN FIGURE 2. HAND TIGHT ONLY.

### **STEP 3**

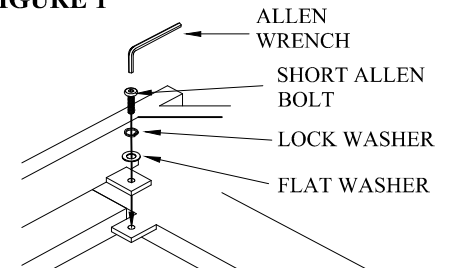
ASSEMBLE THE FLOORING AND SIDE PANELS USING THE SHORT ALLEN BOLTS, LOCK AND FLAT WASHERS PROVIDED AS SHOWN IN FIGURE 3. HAND TIGHT ONLY.

### **STEP 4**

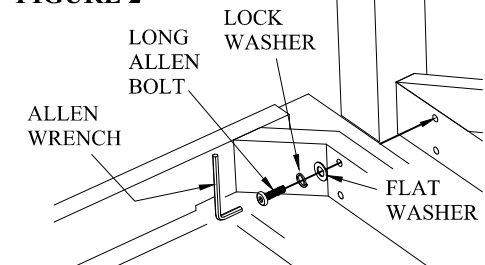
AFTER INSERTING ALL THE BOLTS, TIGHTEN IT USING THE ALLEN WRENCH PROVIDED. TURN THE ASSEMBLED TABLE UPRIGHT AND IT'S READY TO USE.



**FIGURE 1**



**FIGURE 2**



**FIGURE 3**

