

SUMMER *&* CLASSICS

CAHABA RECTANGULAR DINING TABLE

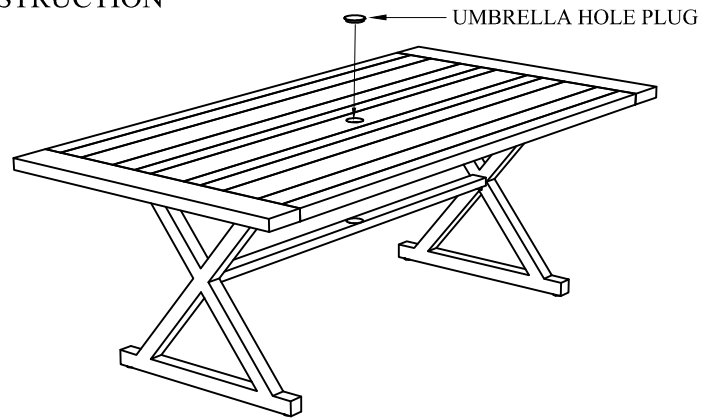
ASSEMBLY INSTRUCTION

PARTS INCLUDED

1. ONE (1) TOP FRAME
2. TWO (2) BASE LEGS
3. ONE (1) BASE SUPPORT (A)
4. ONE (1) BASE SUPPORT (B)

HARDWARE / TOOLS INCLUDED

1. TEN (10) ALLEN BOLTS
2. TEN (10) LOCK WASHERS
3. TEN (10) FLAT WASHERS
4. ONE (1) ALLEN WRENCH
5. ONE (1) UMBRELLA HOLE PLUG
6. TWO (2) PLASTIC COVER



STEP 1

PLACE THE TOP ON THE PROTECTED SURFACE IN UPSIDE DOWN WITH HOLES FACING UP. POSITION THE BASE LEGS WITH TABS (WITH HOLES) FACING DOWN AND BRACKET IN THE MIDDLE OF "X" FRAMES FACING INSIDE. ALIGN EACH CORRESPONDING HOLES OF THE BASE LEGS AND TOP. INSERT THE ALLEN BOLTS, LOCK AND FLAT WASHERS AS SHOWN IN FIGURE 1. HAND TIGHT ONLY.

STEP 2

ASSEMBLE THE BASE SUPPORT (A) USING THE ALLEN BOLTS, LOCK AND FLAT WASHERS PROVIDED AS SHOWN IN FIGURE 2. HAND TIGHT ONLY.

STEP 3

ASSEMBLE THE BASE SUPPORT (B) USING THE ALLEN BOLTS, LOCK AND FLAT WASHERS PROVIDED AS SHOWN IN FIGURE 3. HAND TIGHT ONLY. COVER THE BOLTS WITH PLASTIC COVER PROVIDED AFTER STEP 4.

STEP 4

AFTER ALL BOLTS ARE INSERTED, TIGHTEN IT USING THE ALLEN WRENCH PROVIDED. TURN THE ASSEMBLED TABLE UPRIGHT, INSERT THE UMBRELLA HOLE PLUG AND IT'S READY TO USE.

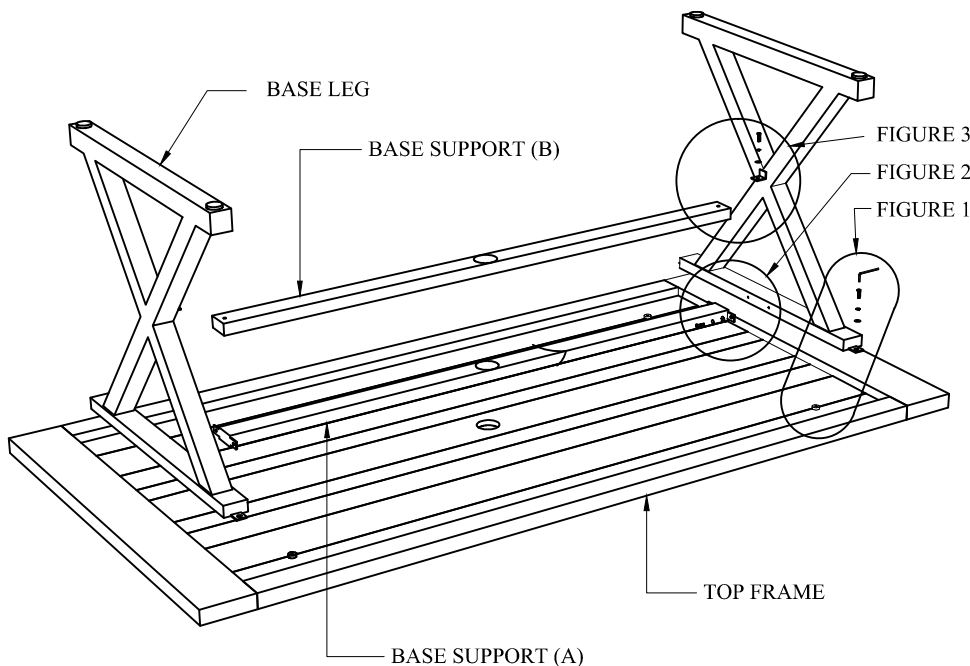


FIGURE 1

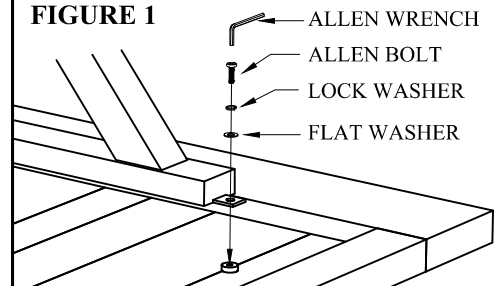


FIGURE 2

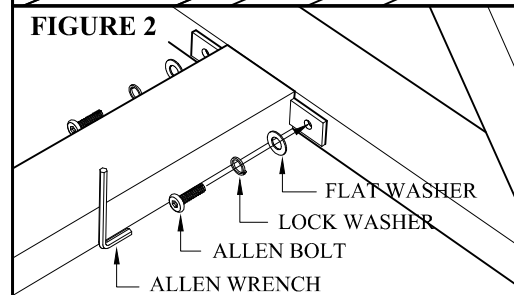


FIGURE 3

