

SUMMER & CLASSICS

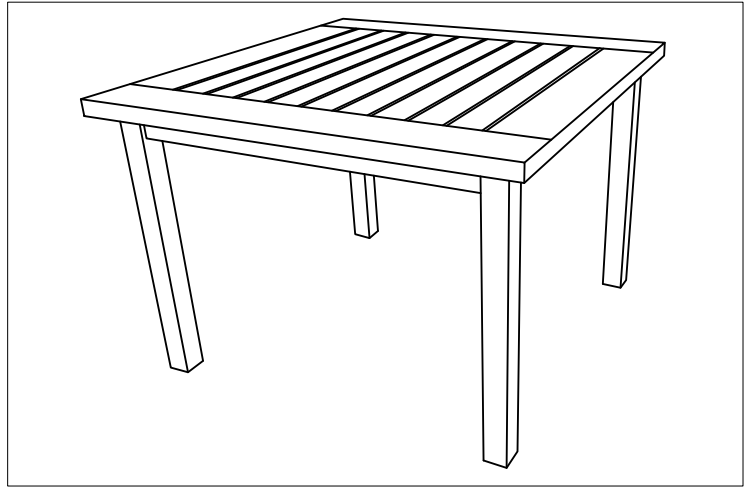
CROQUET COFFEE TABLE

PARTS INCLUDED:

1. FOUR (4) TABLE LEGS
2. ONE (1) TABLE TOP

HARDWARE / TOOLS INCLUDED:

1. EIGHT (8) ALLEN BOLTS
2. EIGHT (8) PLAIN WASHERS
3. EIGHT (8) LOCK WASHERS
4. ONE (1) ALLEN WRENCH



STEP 1:

PLACE THE TOP IN UPSIDE DOWN POSITION ON A PADDED FLOOR. ALIGN THE LEGS AT THE CORNERS OF THE APRON AS SHOWN IN FIGURE 1. SECURE THE LEGS USING BOLTS, PLAIN WASHERS AND LOCK WASHERS. AS SHOWN IN FIGURE 2. HAND TIGHT ONLY.

STEP 2:

ENSURE ALL LEGS ARE LINED UP PROPERLY AND TIGHTEN ALL BOLTS USING THE ALLEN WRENCH PROVIDED. TURN THE ASSEMBLED TABLE UPRIGHT AND IT IS READY TO USE.

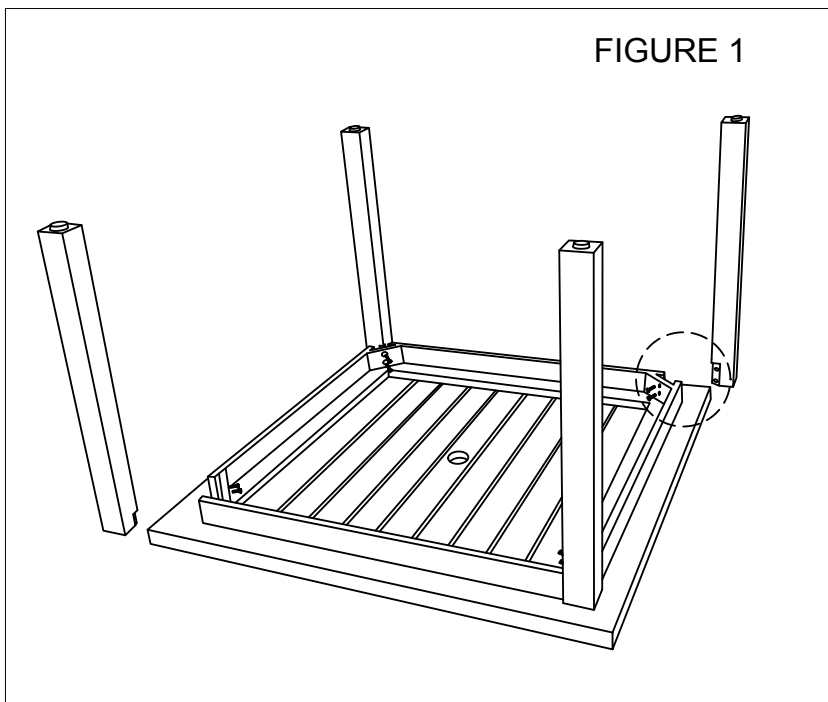


FIGURE 1

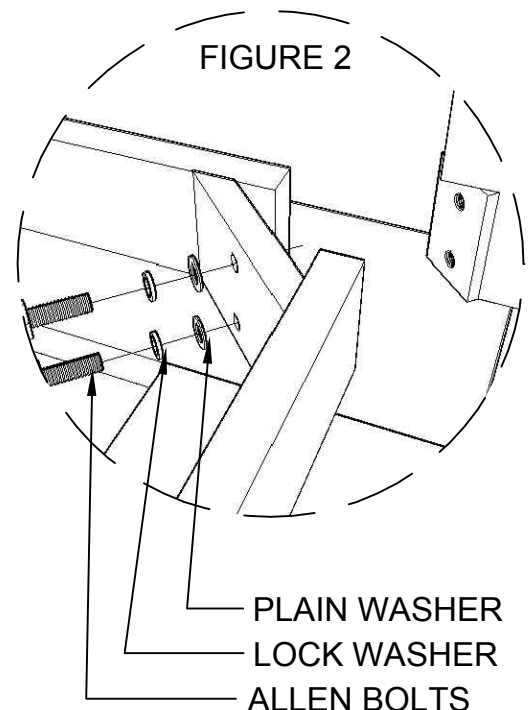


FIGURE 2

PLAIN WASHER
LOCK WASHER
ALLEN BOLTS