



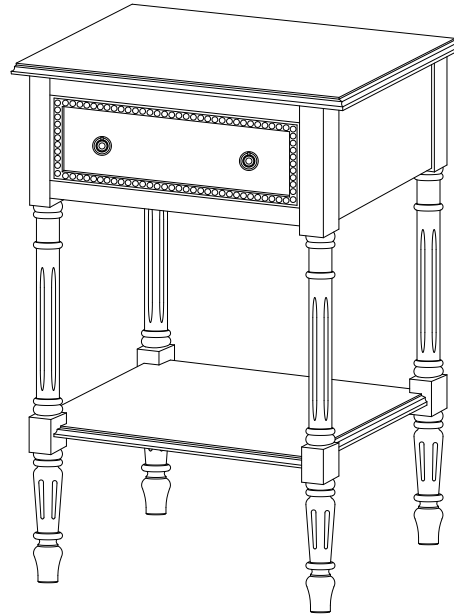
CARINE SIDE TABLE ASSEMBLY INSTRUCTION

HARDWARE INCLUDE :

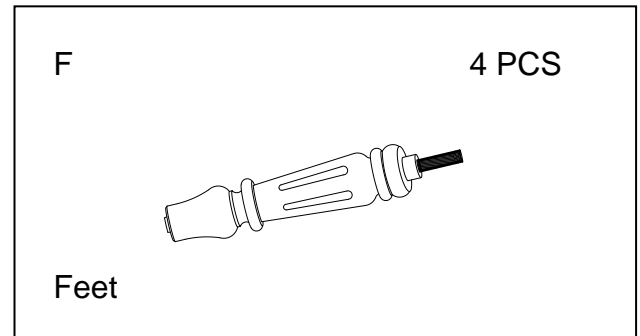
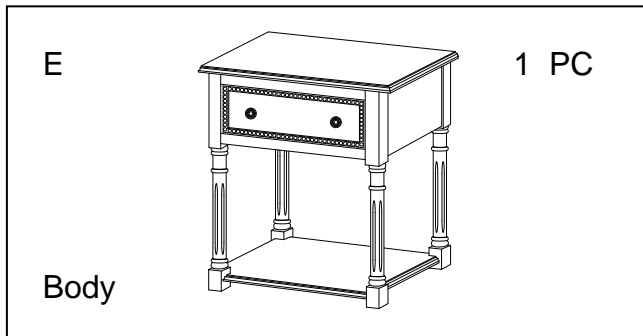
1. 1 Anti Tip Kit
- A. 2 -Small Screw
- B. 2- Large Screw
- C. 2-Bracket
- D. 1-Retention Belt

PARTS INCLUDE :

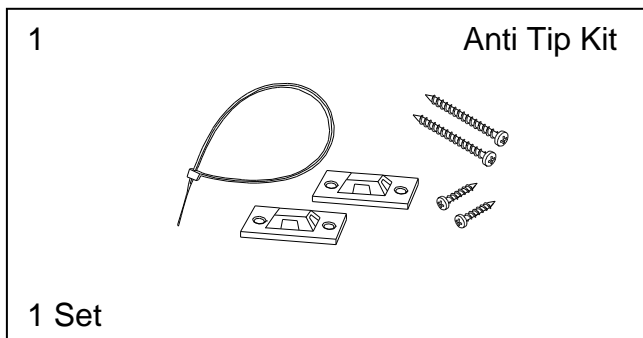
- E. 1 – Body
- F. 4 – Feet



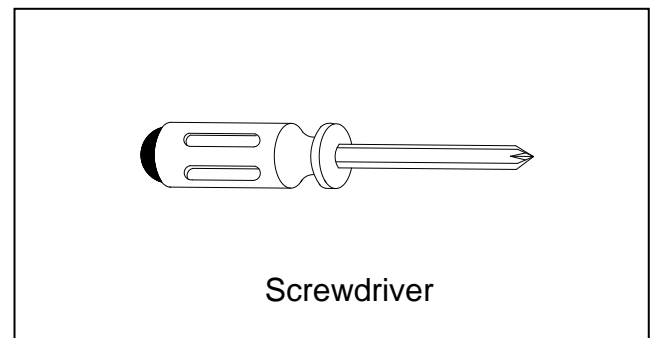
PARTS :



HARDWARE :

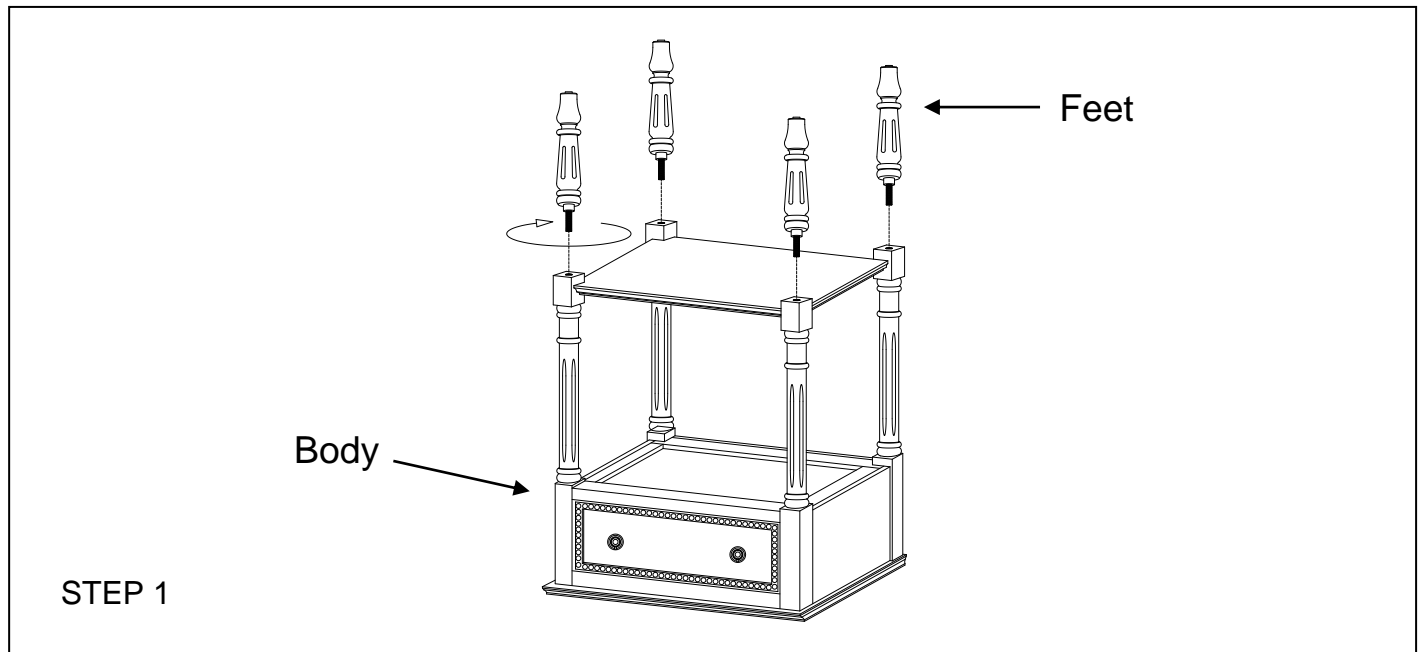


TOOLS NOT INCLUDED:

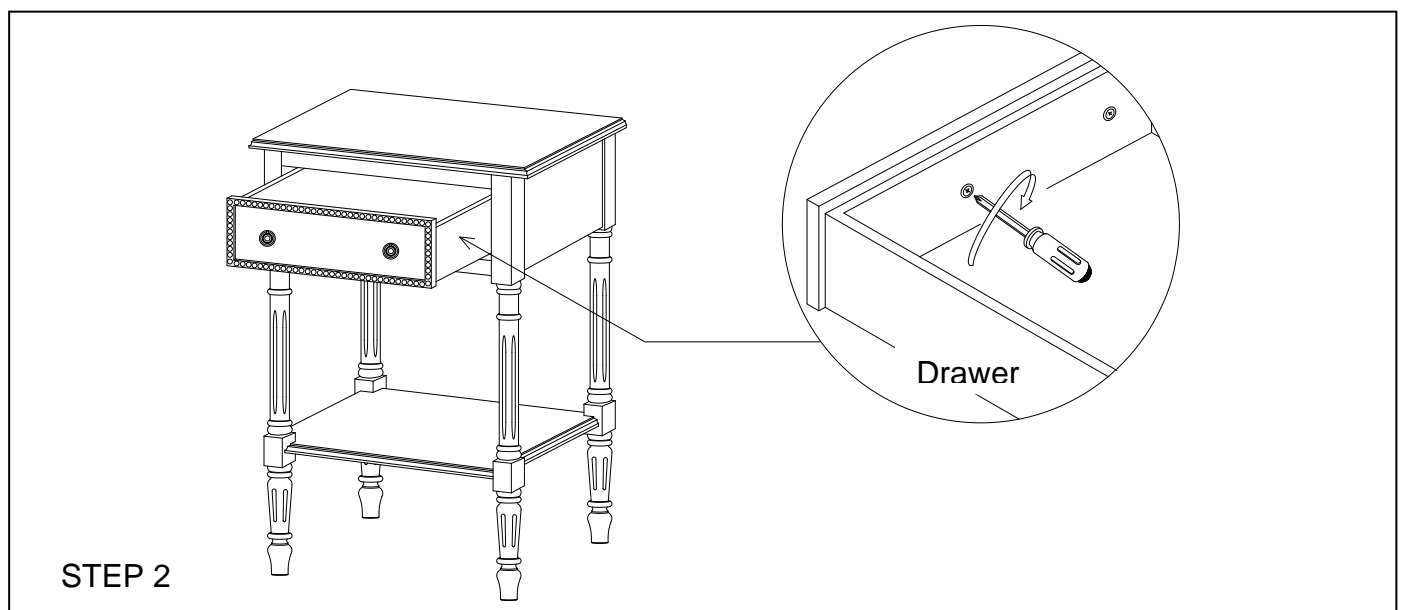




CARINE SIDE TABLE ASSEMBLY INSTRUCTION



- Carefully lay the Body (A) upside down in a carpeted floor or a clean protected work surface.
- Insert the pre-mounted bolt into female insert of the base and turn the Feet (B) clockwise until tight, do the same steps to the remaining Feet (Figure 1), then flip the case upright.

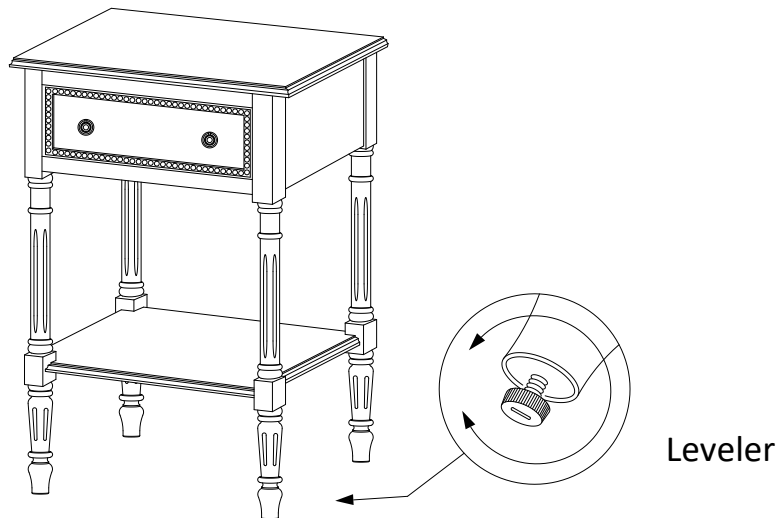


- Re-Tighten the bolt from inside of the drawers using Philip Screwdriver (not included). This can to be done and check periodically to make sure the drawer pull are always tight.



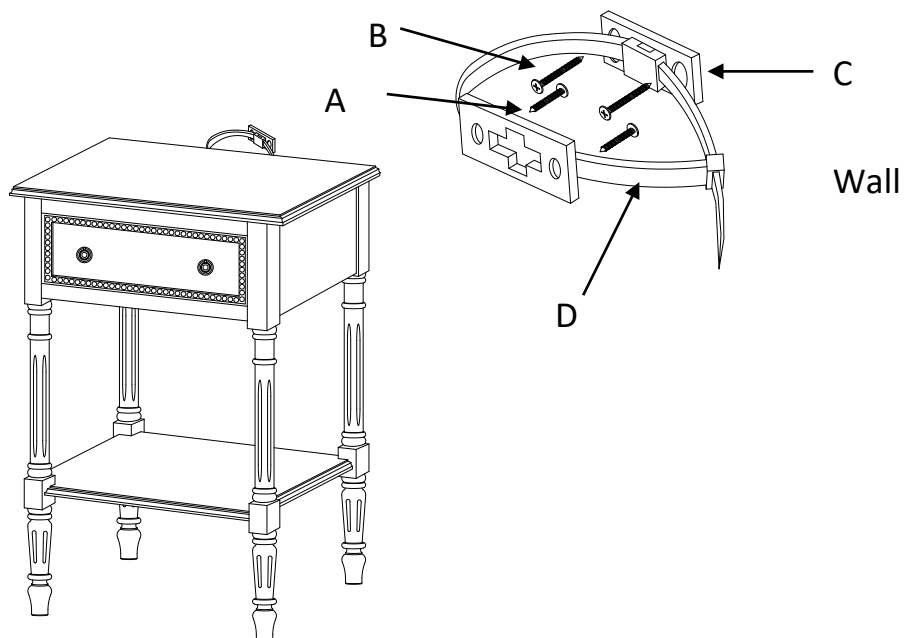
CARINE SIDE TABLE ASSEMBLY INSTRUCTION

STEP 3



- If the floor is uneven adjust the levelers located at the underside of the Feet, to do this lift Up the side that need to be elevated to provide access to the levelers, turn the leveler until adequate contact with the floor.

STEP 4



Attach the Brackets (C) horizontally to the top of the back of the Table using the Small Screws (A). Screw the remaining Brackets (C) vertically 1 inch below the brackets attached to the Table using the large screws (B). The Large Screws (B) should be screwed into a stud in the wall. Align the Brackets vertically and string in the Retention Belt (D). Confirm Strap is securely laced and locked.