



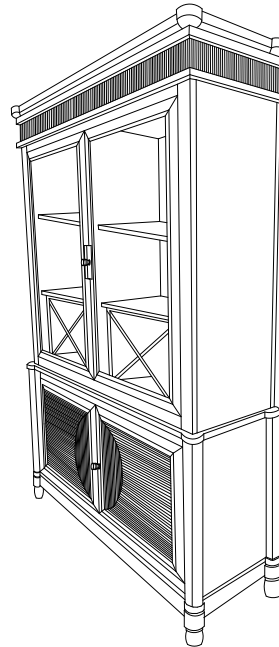
## CLAIRMONT CABINET ASSEMBLY INSTRUCTION

### PARTS INCLUDE :

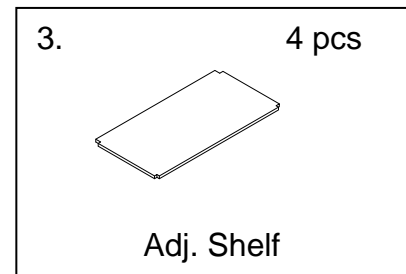
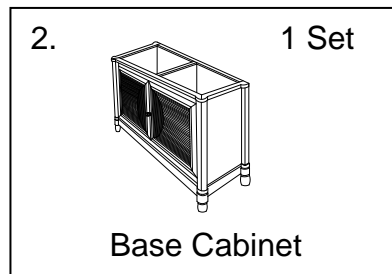
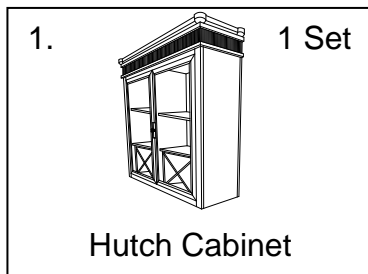
1. 1-Cabinet Hutch
2. 1-Cabinet Base
3. 4-Adj. Shelf

### HARDWARE INCLUDE :

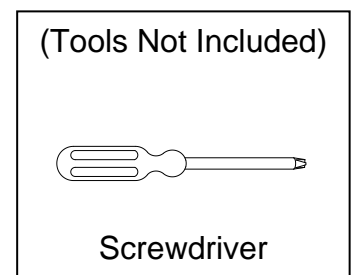
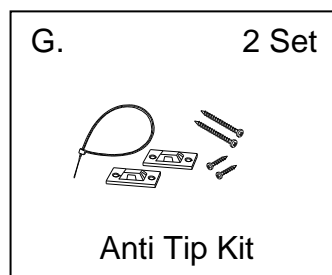
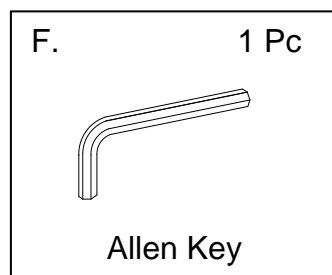
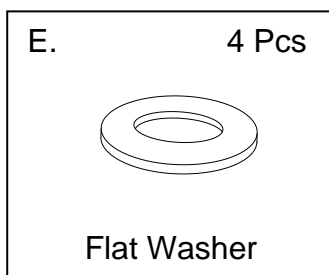
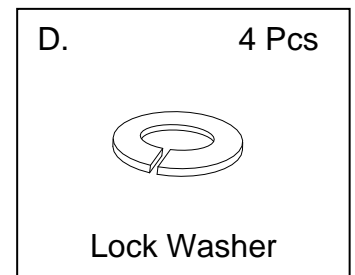
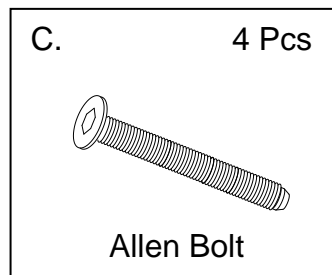
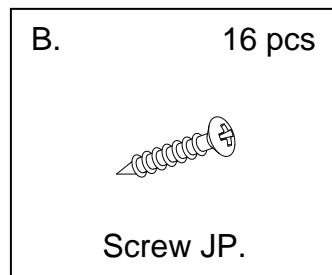
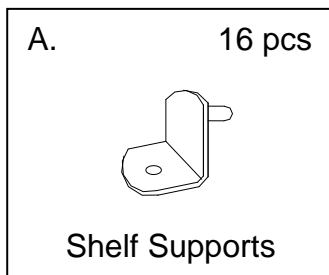
- 16 – Shelf Supports
- 16 - Screw JP.
- 4 - Allen Bolt
- 4 - Lock Washer
- 4 - Flat Washer
- 1 - Allen Key
- 2- Anti Tip Kit
- I. 4- Small Screw
- II. 4- Large Screw
- III. 2- Bracket
- IV. 2- Retention Belt



### PARTS:

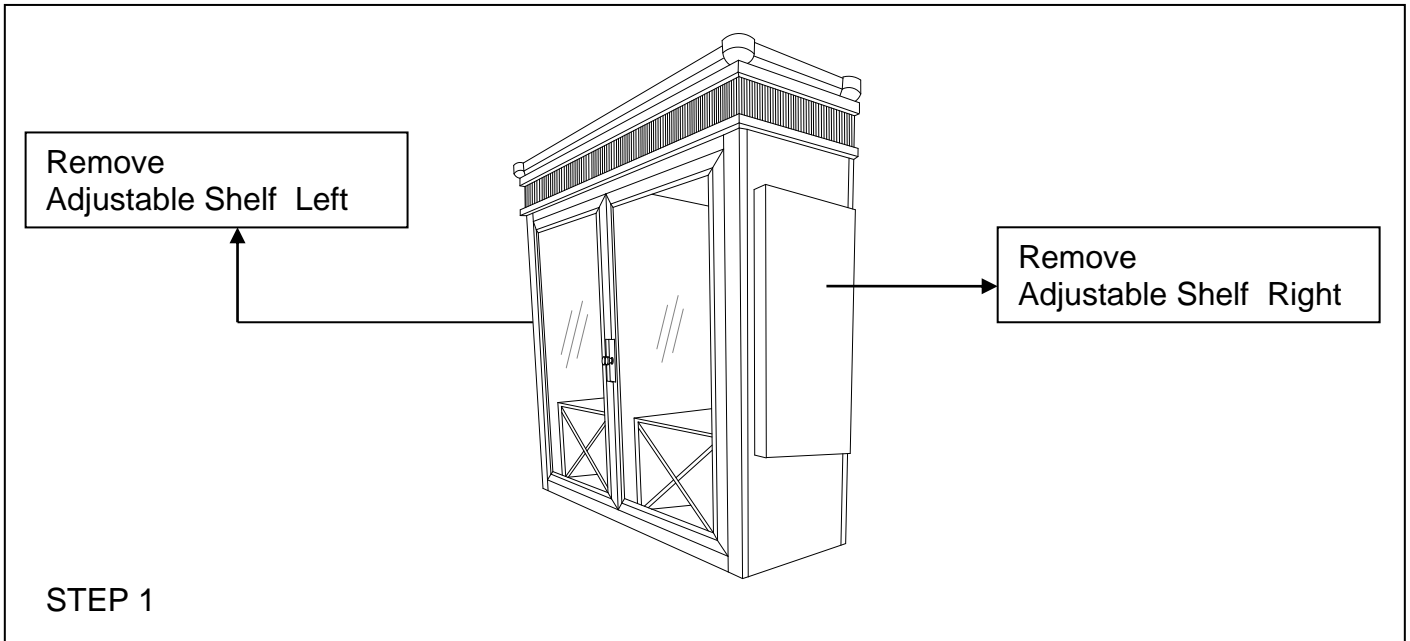


### HARDWARE:

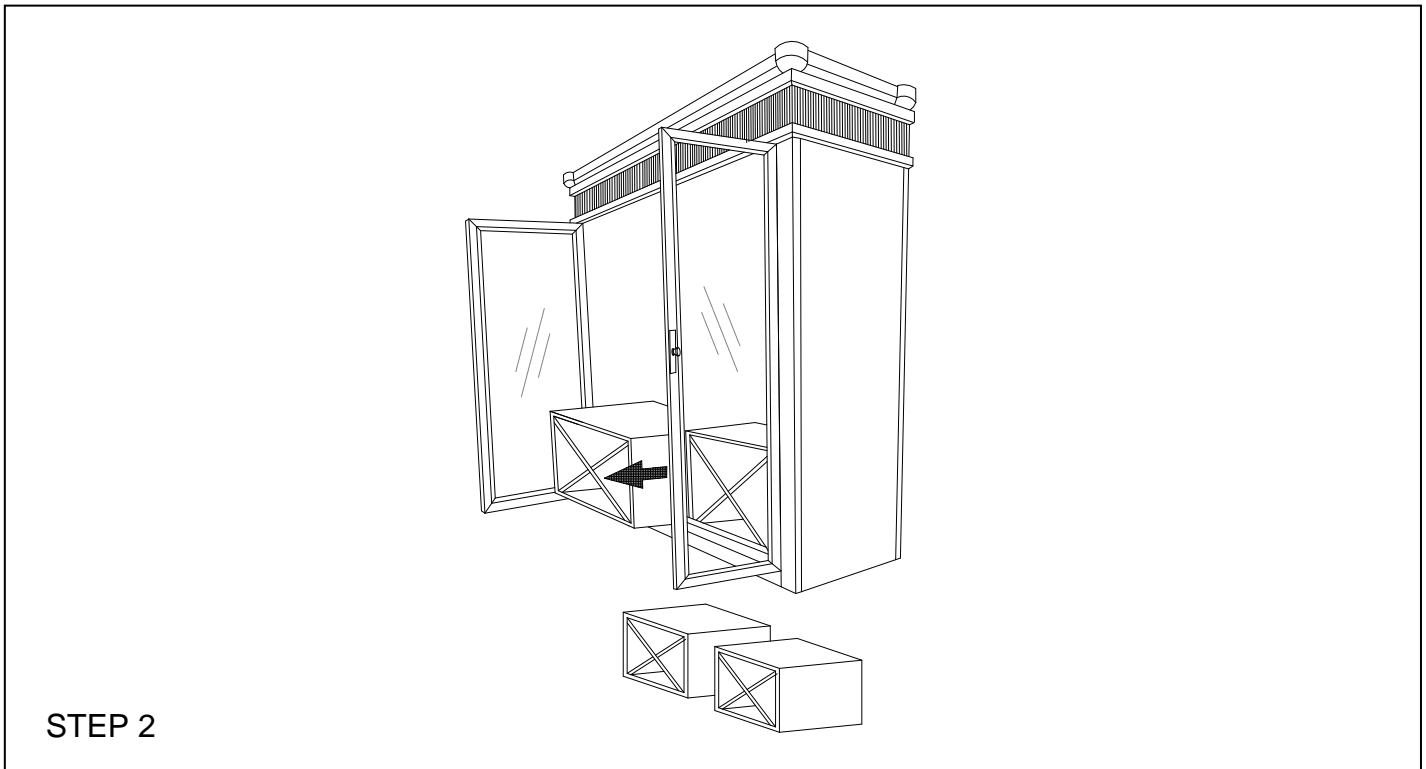




## CLAIRMONT CABINET ASSEMBLY INSTRUCTION



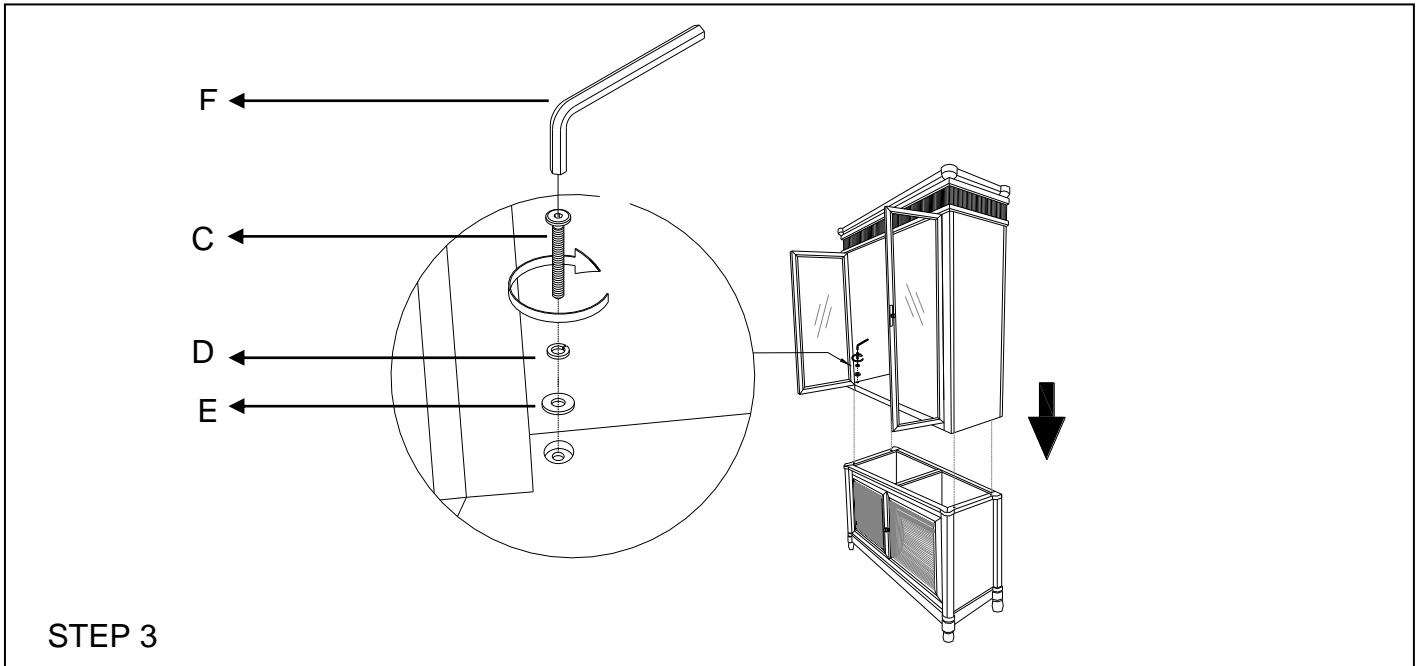
- Carefully unwrapped the adjustable shelves being tied at the side of the Hutch Cabinet.



- Carefully remove the wine rack from the Hutch Cabinet.

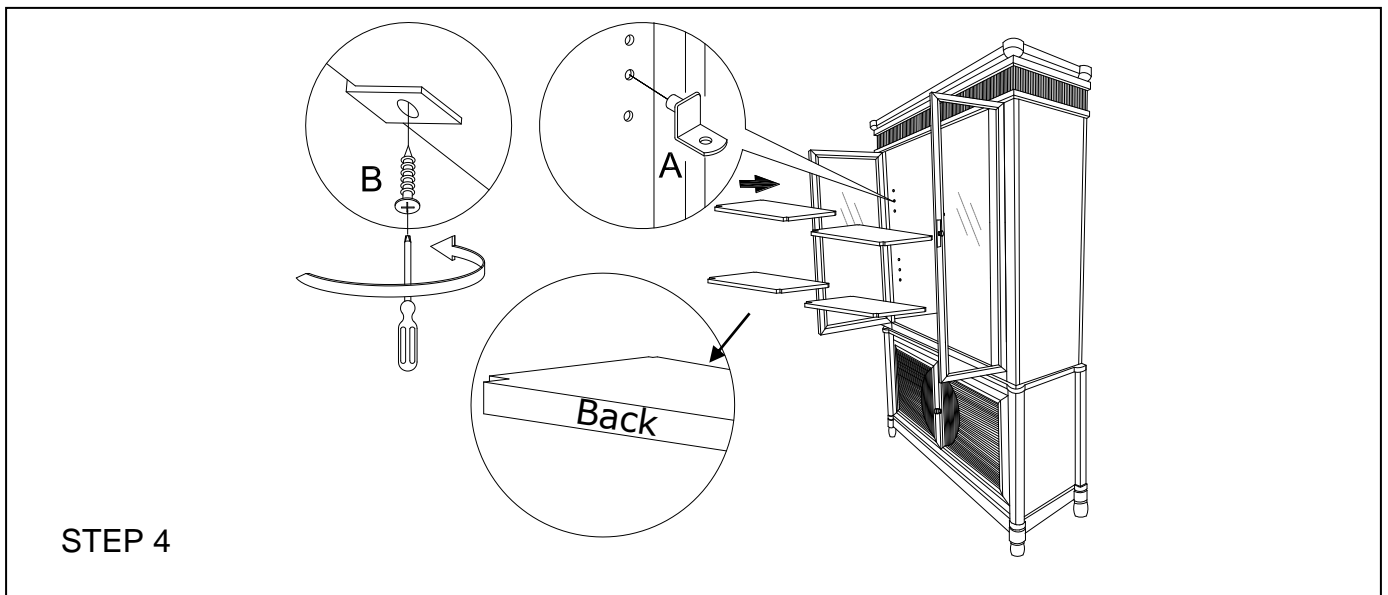


## CLAIRMONT CABINET ASSEMBLY INSTRUCTION



### STEP 3

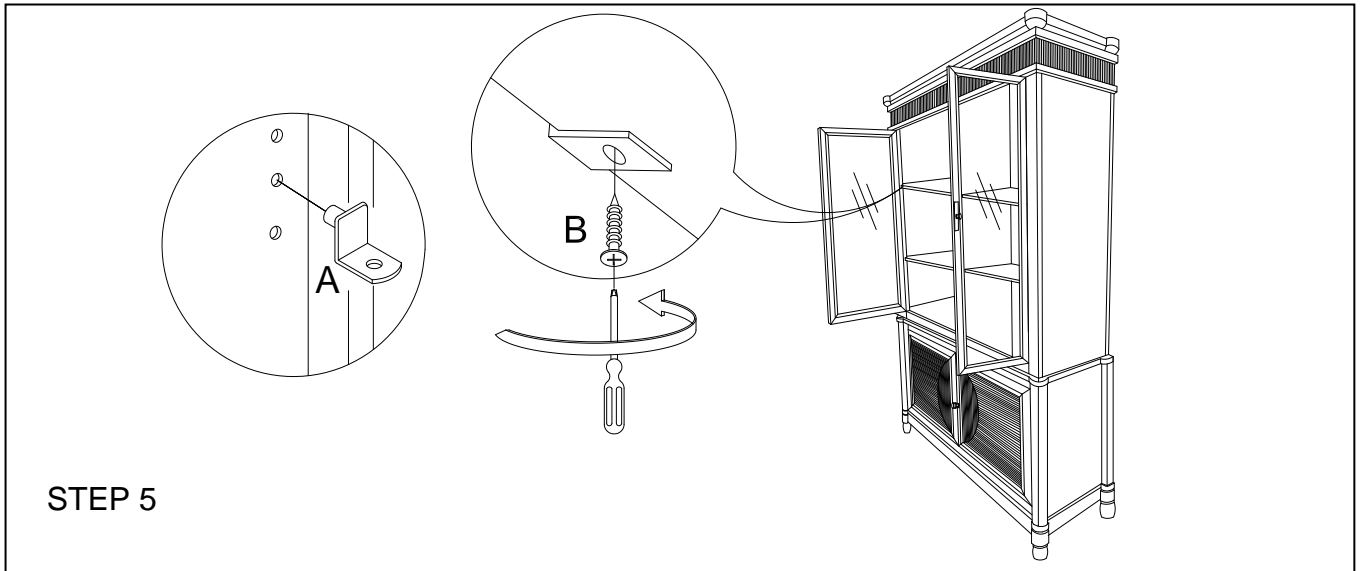
- Carefully place the Hutch above the Base, aligning the holes for the bolts on hutch cabinet to the insert nut of the base.
- Insert the Allen Bolt through the lock washer and flat washer and into the insert nut of the base through the hole of the Hutch then lock with the Allen key.



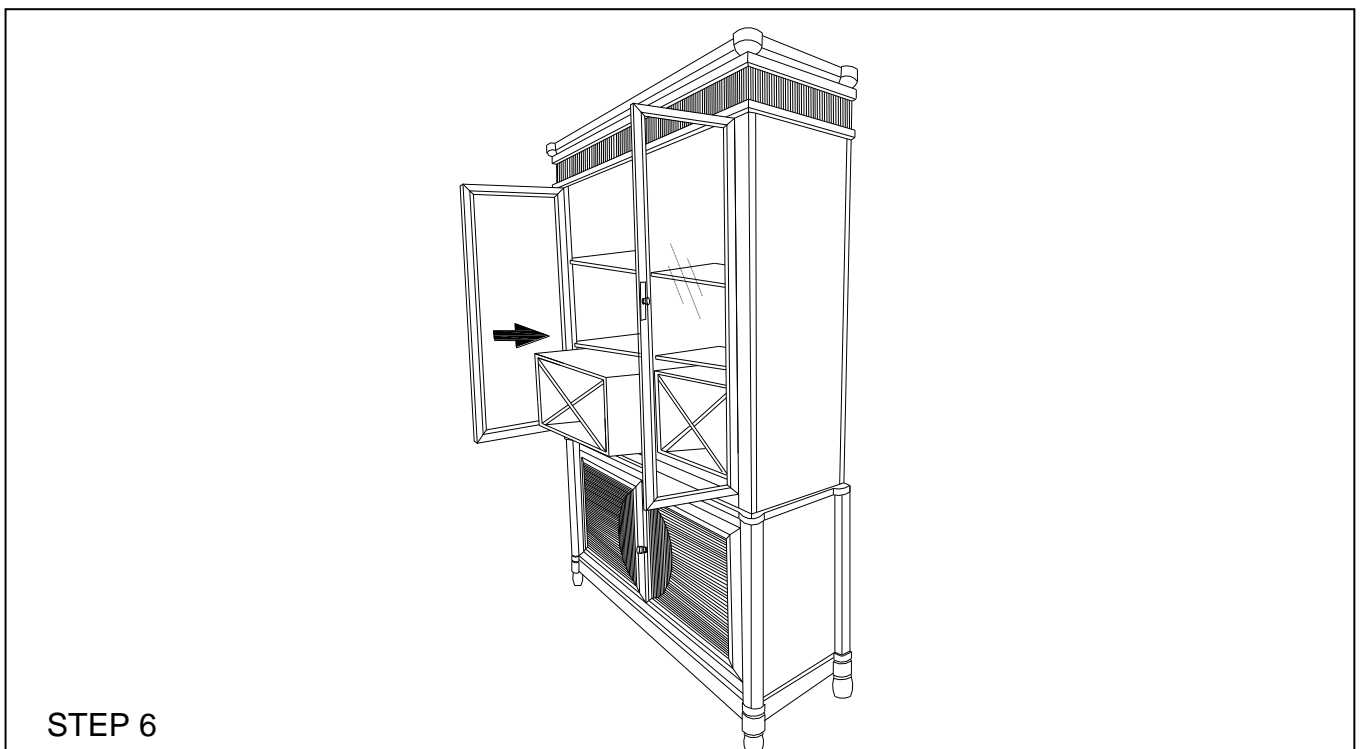
### STEP 4

- Determine the desired height for the shelves, insert the shelf supports (A) into the pre drilled holes located in the hutch cabinet. Carefully insert the shelves as shown and gently rest the shelves onto the angular shelf support and screw using Philip Screw driver (Not Included).

## CLAIRMONT CABINET ASSEMBLY INSTRUCTION

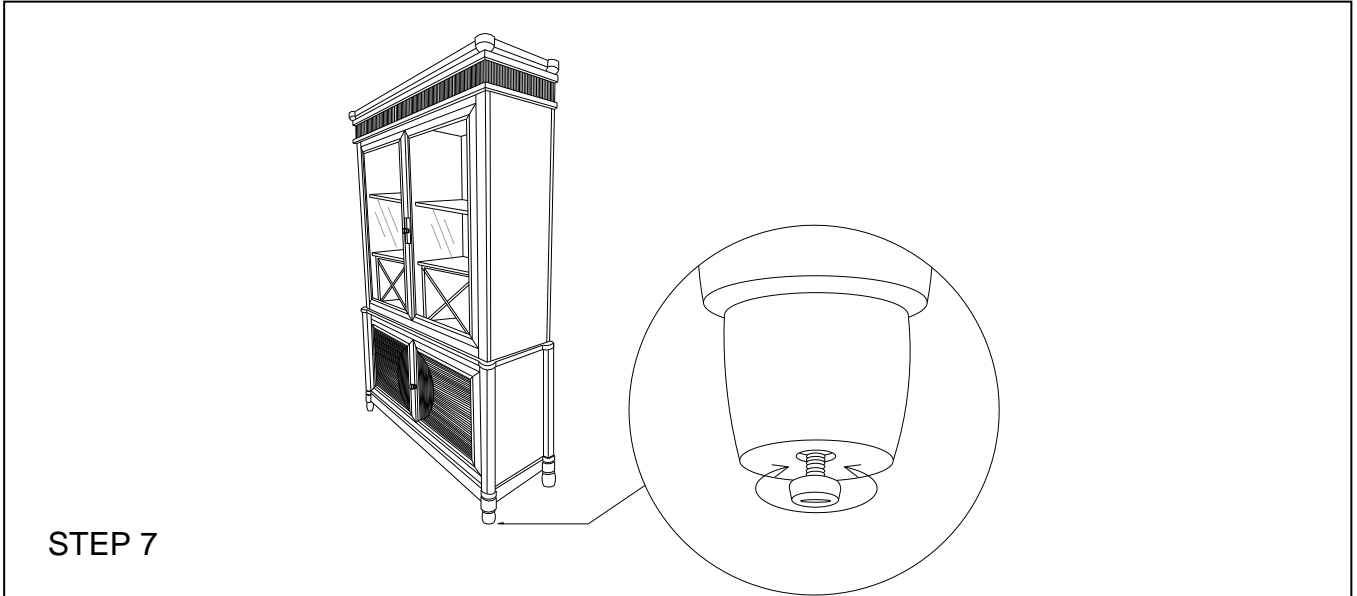


- To reposition the shelves, un-screw the shelves from shelf supports, then carefully lift the shelves up and out of the case. Inserts stem of shelf supports into holes in end panel, as shown. rest the shelf on the shelf supports, and reinstall screws.



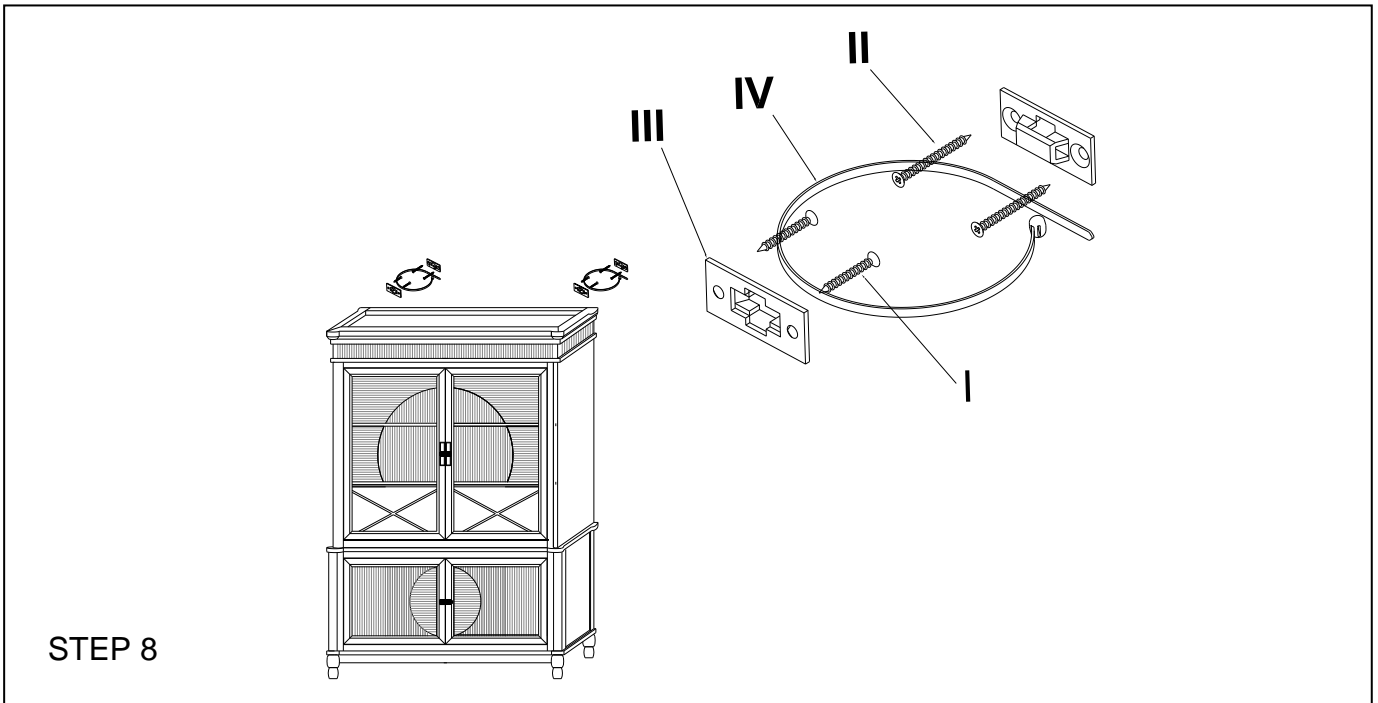
- Carefully return back the wine rack to the hutch cabinet.

## CLAIRMONT CABINET ASSEMBLY INSTRUCTION



STEP 7

- If the floor is uneven adjust the levelers located at the underside of the Feet, to do this lift Up the side that need to be elevated to provide access to the levelers, turn the leveler until adequate contact with the floor.



STEP 8

Attach 2 Brackets (III) horizontally to the top corners of the Unit using the Small Screws (I). Screw the remaining Brackets (III) into the wall vertically 1 inch below the previously installed brackets using the Large Screws (II). The Large Screws (II) should be screwed into a stud in the wall. Align the brackets vertically and string in the Retention Belt (IV). Confirm Strap is securely laced and locked.