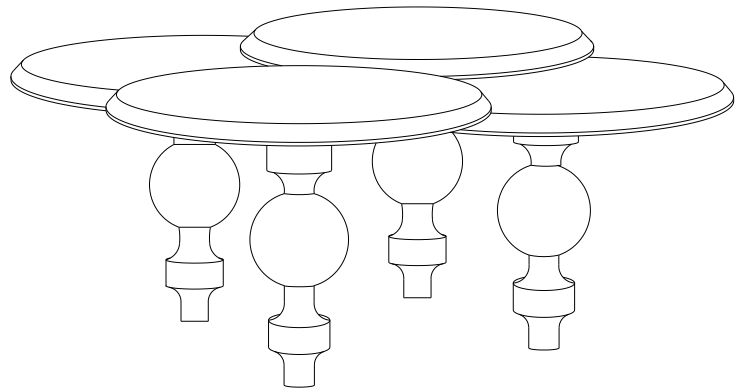




COCO COFFEE TABLE ASSEMBLY INSTRUCTION

PARTS INCLUDE :

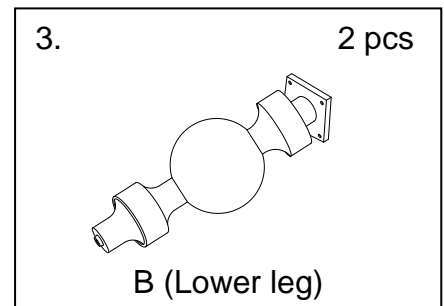
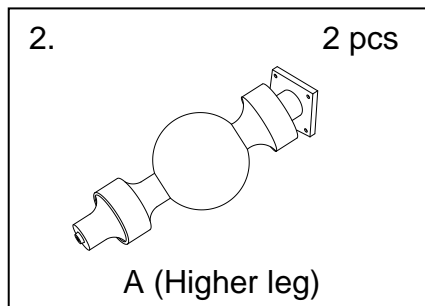
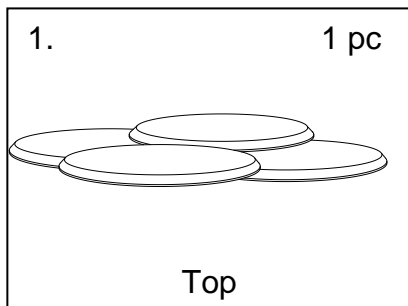
- 1 - Top
- 2 - A (Higher leg)
- 2 - B (Lower leg)



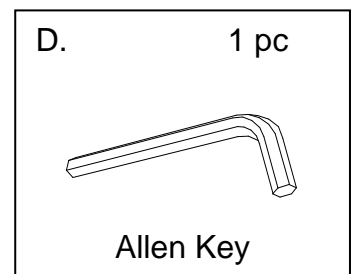
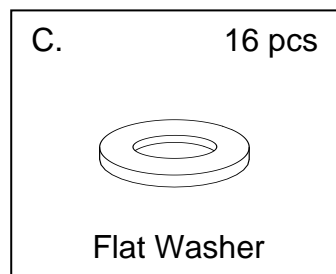
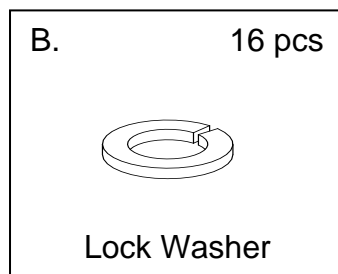
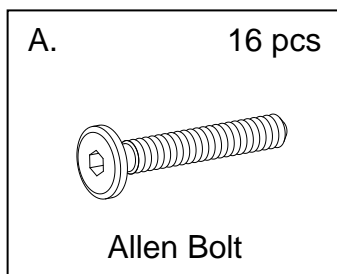
HARDWARE INCLUDE :

- 16 – Allen Bolt
- 16– Lock Washer
- 16– Flat Washer
- 1 – Allen Key

PARTS:



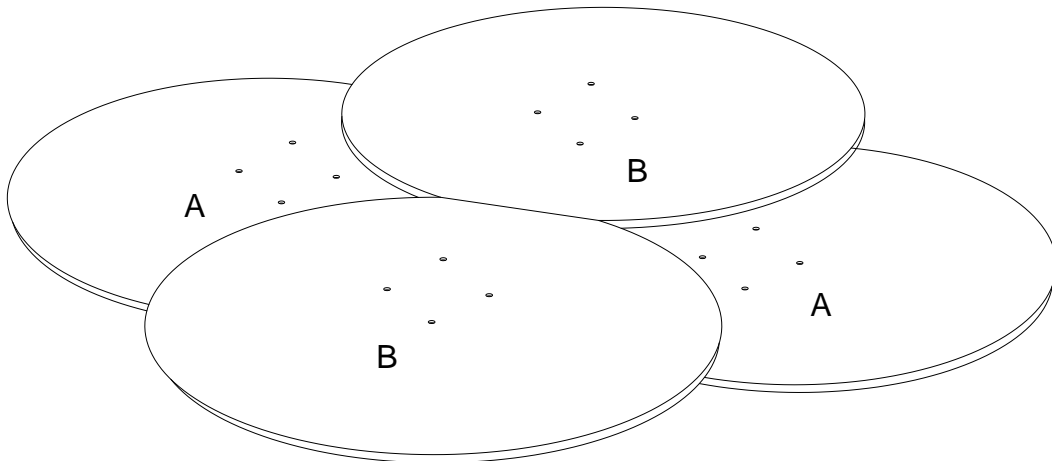
HARDWARE:





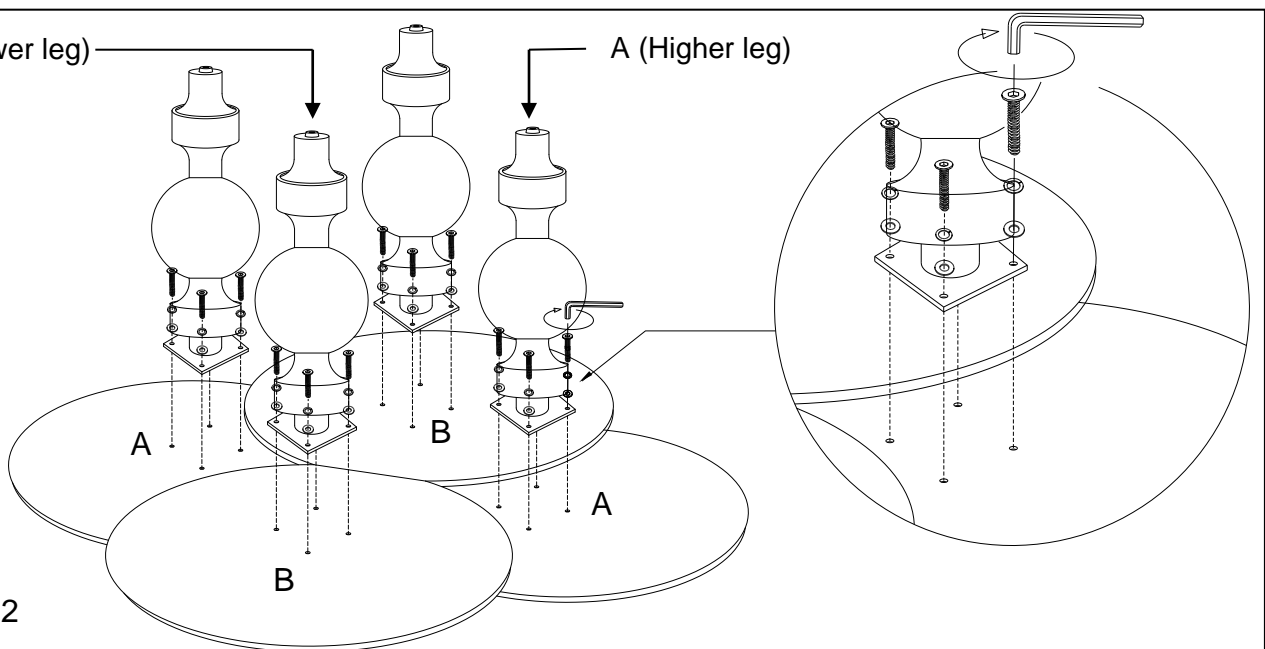
COCO COFFEE TABLE ASSEMBLY INSTRUCTION

Step. 1



- Two persons or more should assist each other in turning the top assembly “ upside down “ onto a smooth surface such as a carpeted floor (the shipping box works well) .

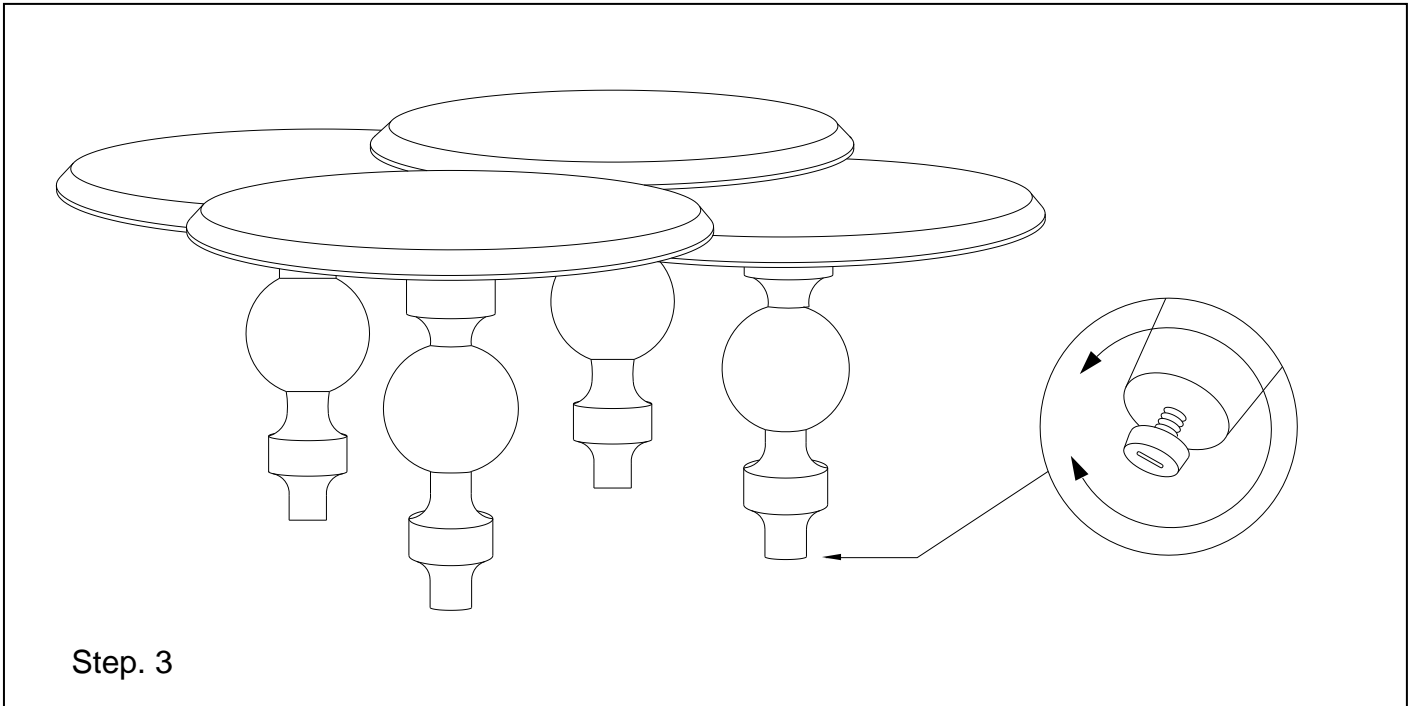
Step. 2



- With each corresponding code between legs and top, put the legs aligning the holes of the mounting plate with the female receiving slots of the top. Insert the bolts with its set of lock washer and flat washer then tighten with the Allen key.



COCO COFFEE TABLE ASSEMBLY INSTRUCTION



- If the floor is uneven adjust the levelers located at the underside of the Leg, to do this lift up the side that need to be elevated to provide access to the levelers, turn the leveler until adequate contact with the floor.

