

## DOUBLE LATTICE 60" TABLE BASE ASSEMBLY INSTRUCTIONS

### ITEMS INCLUDED IN THE HARDWARE KIT:

- 1 TEN (10) STAINLESS STEEL NUTS
- 2 TEN (10) STAINLESS STEEL WASHERS
- 3 TEN (10) STAINLESS STEEL LOCK WASHERS
- 4 TEN (10) STAINLESS STEEL ALL-THREAD  
HEADLESS BOLTS WITH SLOTTED END

### PARTS INCLUDED:

- 1 FIVE (5) CAST ALUMINUM LEGS W/LEVELING FEET
- 2 FIVE (5) CAST ALUMINUM STRETCHERS

### TOOLS REQUIRED:

- 1 FLAT HEAD SCREWDRIVER
- 2 ADJUSTABLE OR SOCKET WRENCH

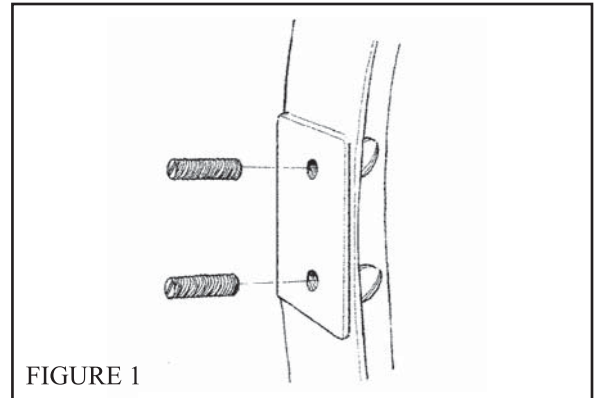


FIGURE 1

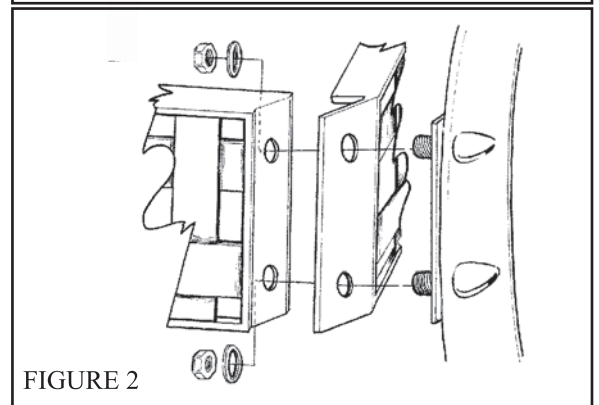


FIGURE 2

### STEP 1:

PLACE THE TEN HEADLESS BOLTS INTO THE FIVE LEGS WITH THE SLOTTED END FACING OUTWARD, AS ILLUSTRATED IN FIGURE 1. TIGHTEN USING A FLAT HEAD SCREWDRIVER.

### STEP 2:

INTERLOCK TWO STRETCHERS AND INSERT BOLTS IN ONE LEG THROUGH STRETCHERS, AS ILLUSTRATED IN FIGURE 2. ATTACH ONE WASHER AND ONE LOCK WASHER AS SHOWN AND THEN SCREW ONE NUT ON TO EACH BOLT. HAND TIGHTEN ONLY

### STEP 3:

PLACE THE PARTIALLY ASSEMBLED TABLE BASE ON ITS SIDE WITH ONE STRETCHER POINTED UPWARD. INTERLOCK A THIRD STRETCHER TO THE STRETCHER POINTED UPWARD AND INSERT THE BOLTS FROM A SECOND LEG THROUGH THE INTERLOCKED STRETCHERS. FOLLOW STEP 2. **HAND TIGHTEN ONLY.**

### STEP 4:

REPEAT STEP 3 FOR THE ASSEMBLY OF THE FOURTH AND FIFTH STRETCHER AND LEG.

### STEP 5.

STAND UPRIGHT. FOLLOW TABLE TOP INSTRUCTIONS TO ATTACH TABLE TOP. ONLY HAND TIGHTEN TABLE TOP TO BASE. AFTER TOP IS ATTACHED, TIGHTEN NUTS SECURING STRETCHERS TO LEGS, THEN TIGHTEN NUTS SECURING TOP TO BASE. DO NOT OVERTIGHTEN. DO NOT USE ELECTRIC DRILL.

Note: If table base holes do not line up with table top holes, loosen nuts on table base, then continue with Step 5.