

DOUBLE LATTICE 60" CAST ALUMINUM TABLE TOP ASSEMBLY INSTRUCTIONS

ITEMS INCLUDED IN THE HARDWARE KIT:

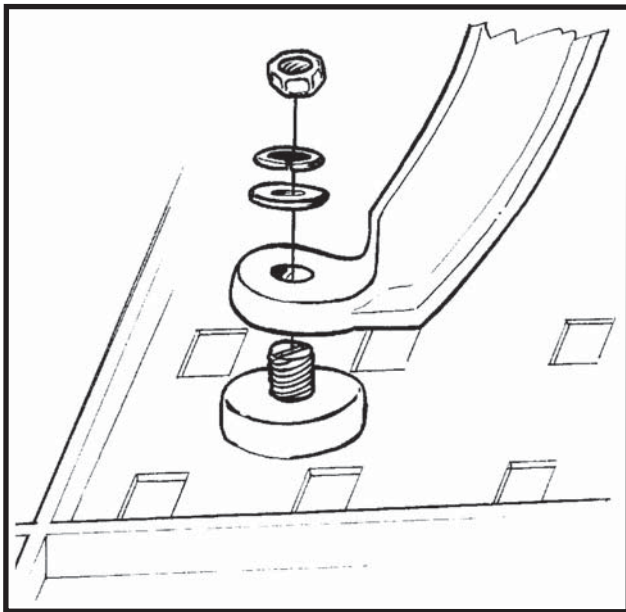
- 1 FIVE (5) STAINLESS STEEL NUTS
- 2 FIVE (5) STAINLESS STEEL LOCK WASHERS
- 3 FIVE (5) STAINLESS STEEL WASHERS
- 4 FIVE (5) STAINLESS STEEL ALL-THREAD HEADLESS BOLTS WITH SLOTTED END

PARTS INCLUDED:

- 1 ONE (1) 60" CAST ALUMINUM TABLE TOP

STEP 1:

PLACE THE TABLE TOP ON A PADDED SURFACE WITH BOTTOM OF TOP FACING UPWARD. PLACE THE FIVE HEADLESS BOLTS INTO THE FIVE HOLES ON THE BOTTOM OF THE TOP, WITH THE SLOTTED END FACING UPWARD. TIGHTEN USING A FLAT HEAD SCREWDRIVER.



STEP 2:

TURN THE ASSEMBLED TABLE BASE (SEE SEPARATE ASSEMBLY INSTRUCTIONS FOR BASE) UPSIDE-DOWN AND PLACE THE BASE ON TOP OF THE TABLE BOTTOM, INSERTING THE TABLE BASE HOLES INTO THE BOLTS PROTRUDING FROM THE TOP. SEE ILLUSTRATION.

STEP 3:

PLACE A WASHER, LOCKING WASER AND THEN A NUT ON EACH BOLT, AS SHOWN. **HAND TIGHTEN ONLY.**

STEP 4:

TIGHTEN NUTS SECURING BASE LEGS TO STRETCHERS FIRST, THEN TIGHTEN NUTS SECURING TOP TO BASE. **DO NOT OVER-TIGHTEN. DO NOT USE ELECTRIC DRILL.**

Note: If table base holes do not line up with table top holes, loosen nuts on table base, then continue with Steps 2-4.