



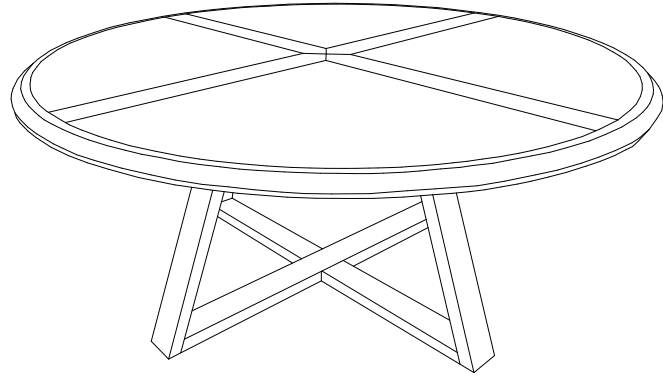
EDMOND DINING TABLE ASSEMBLY INSTRUCTION

PARTS INCLUDE :

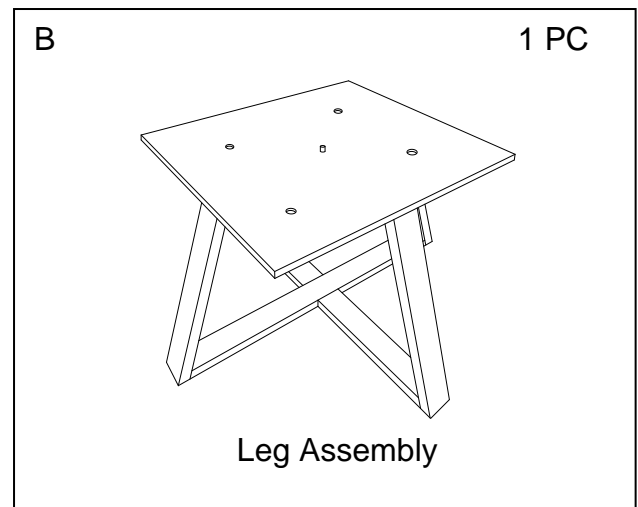
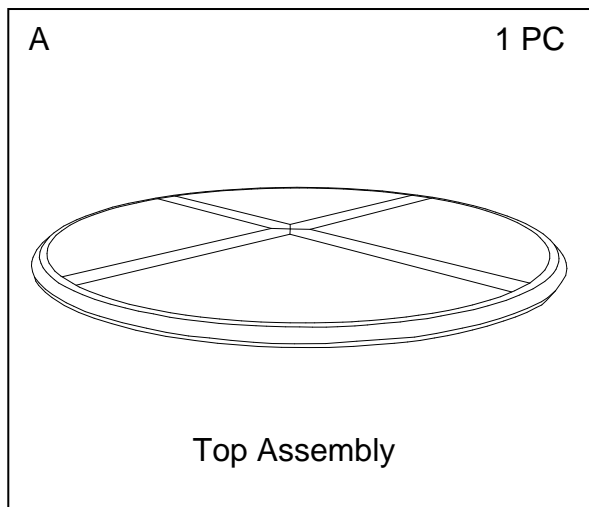
1. 1 – Top Assembly
2. 1 – Leg Assembly

HARDWARE INCLUDE :

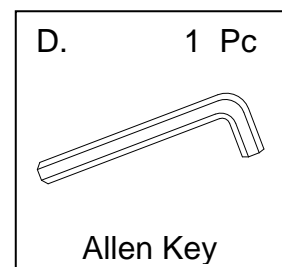
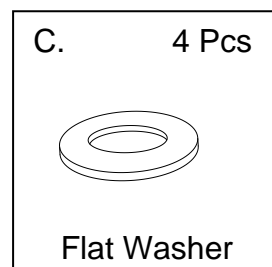
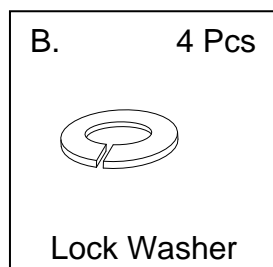
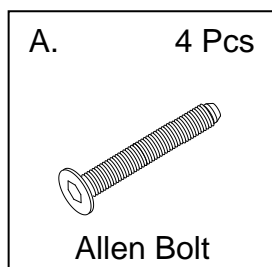
- A. Allen Bolt
- B. Lock Washer
- C. Flat Washer
- D. Allen key



PARTS :

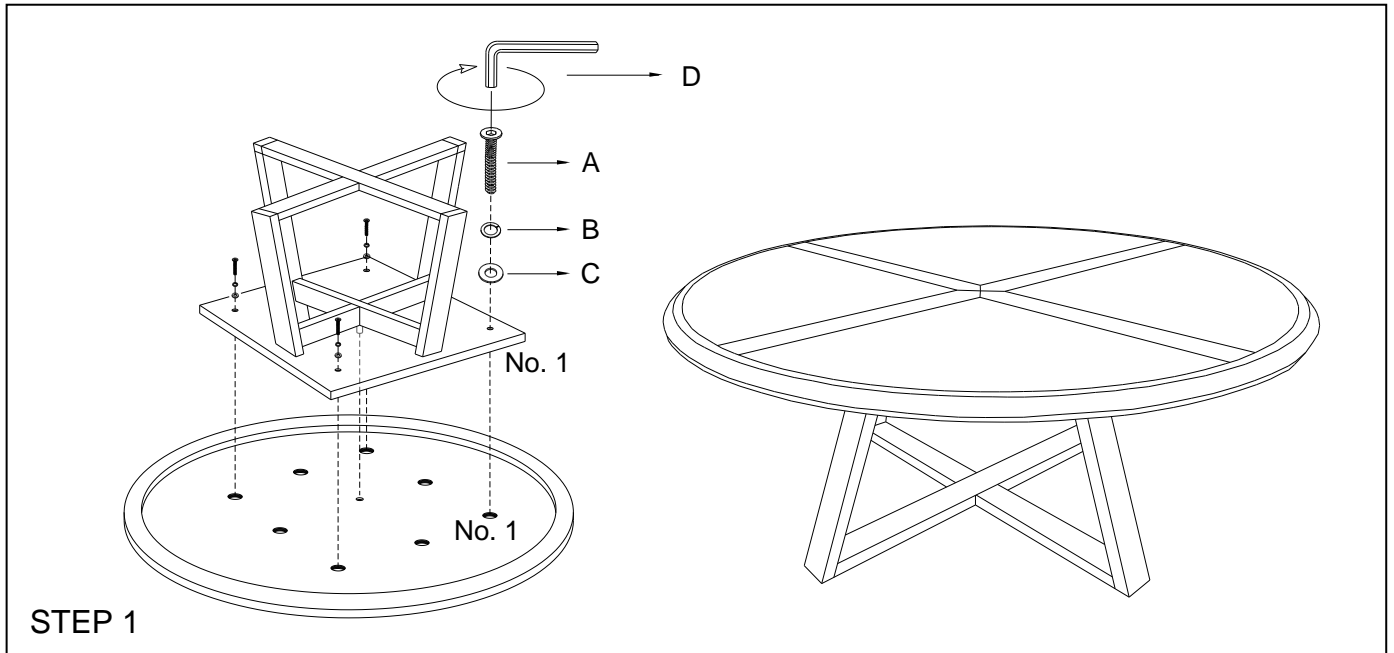


HARDWARE:

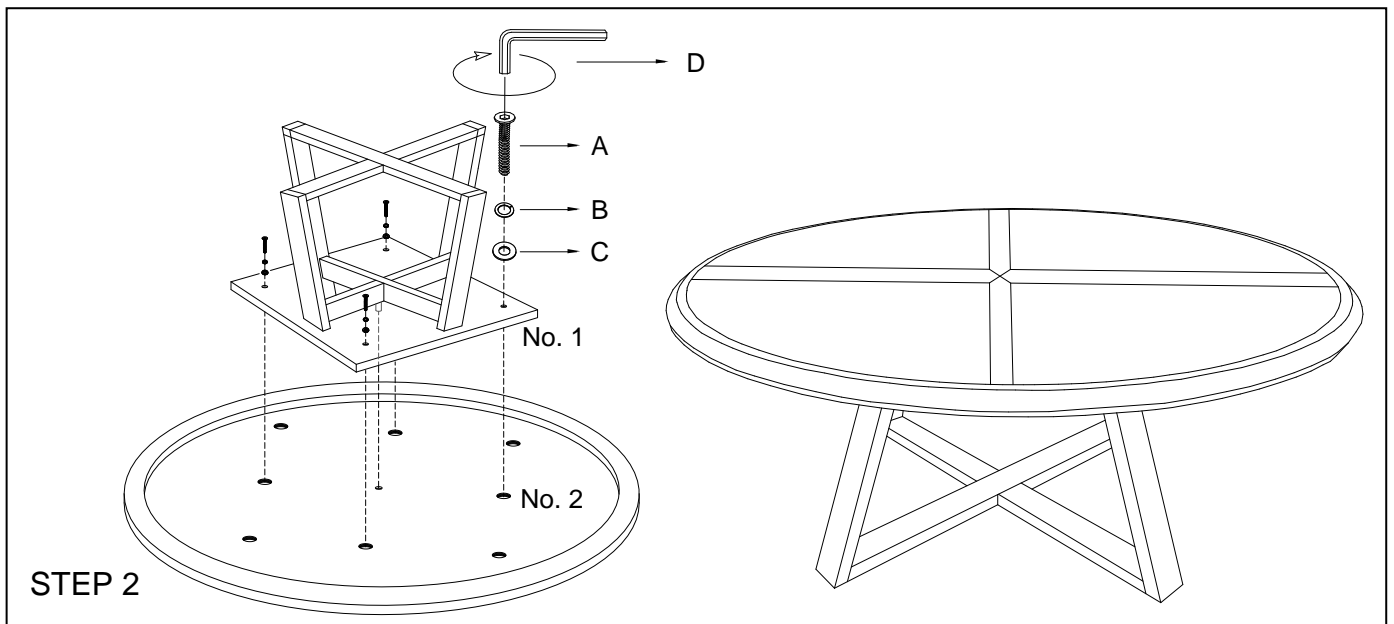


EDMOND DINING TABLE

ASSEMBLY INSTRUCTION

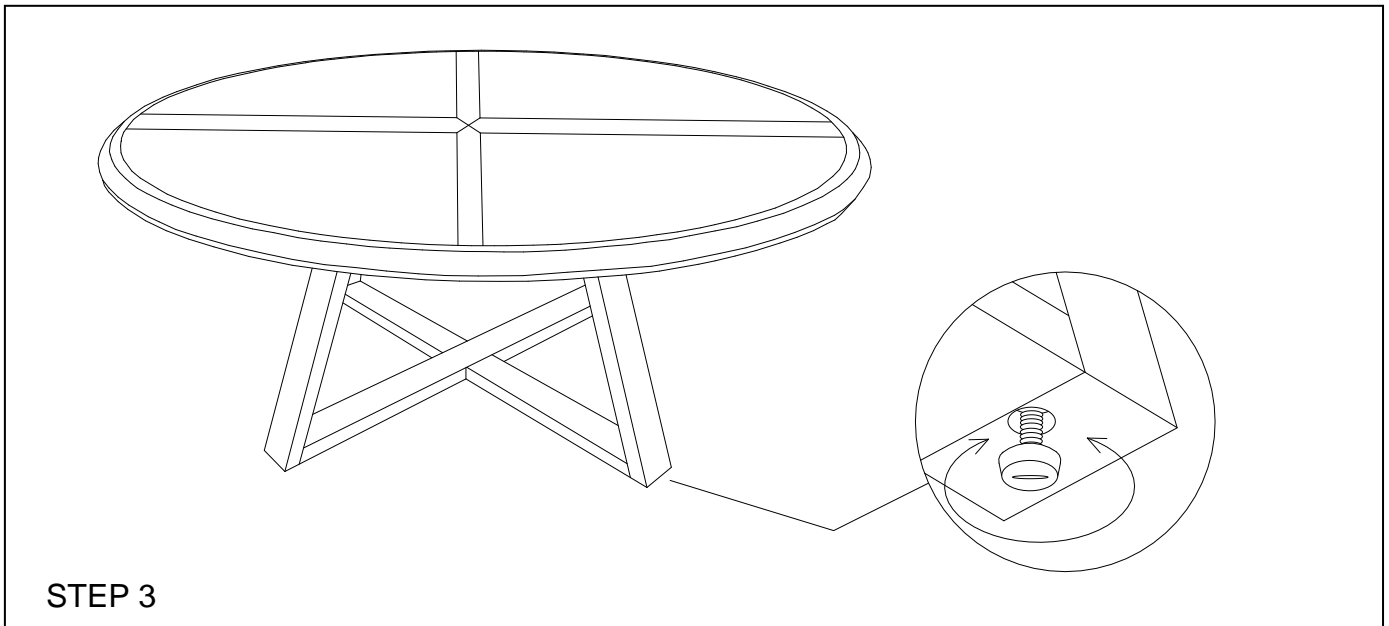


- Insert the dowel pin of the pedestal into the pre-drilled hole underneath the top.
- Match the code No.1 of the pedestal and No.1 of the top so that the cross bar of the top and the base will be parallel with each other.
- Insert the Allen bolts with complete lock washer and flat washer into the female insert nut of the top thru the hole of the base.
- Tighten with the Allen Key provided.





- The-same Procedure with Step.1 just to match Code No.2 of the Top and the Base if it needs for the cross bar to be un-align.



- If the floor is uneven adjust the levelers located at the underside of the Leg, to do this lift Up the side that need to be elevated to provide access to the levelers, turn the leveler until adequate contact with the floor.