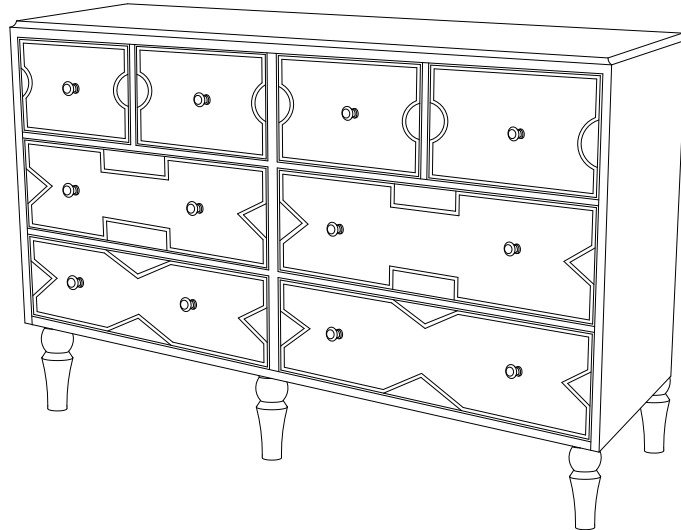




SCH-170215 EVEREST DRESSER ASSEMBLY INSTRUCTION

HARDWARE INCLUDE:

- A. 2 - Anti Tip Kit
- I. 4 - Small Screw
- II. 4 - Large Screw
- III. 4 - Bracket
- IV. 2 - Retention Belt



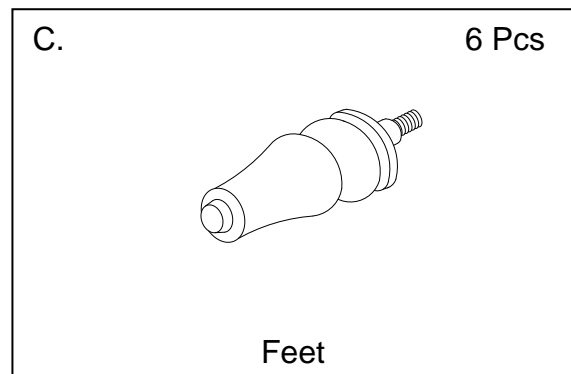
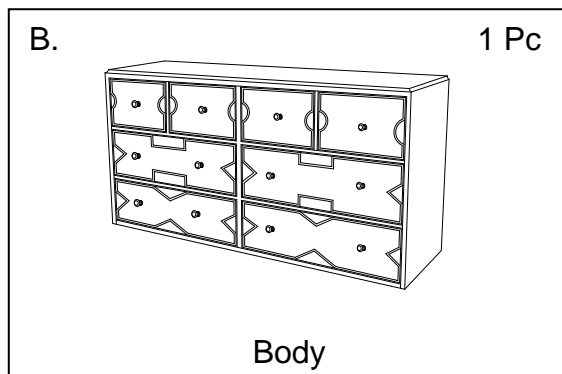
PARTS INCLUDE:

- B. 1 - Body
- C. 6 - Feet

HARDWARE :

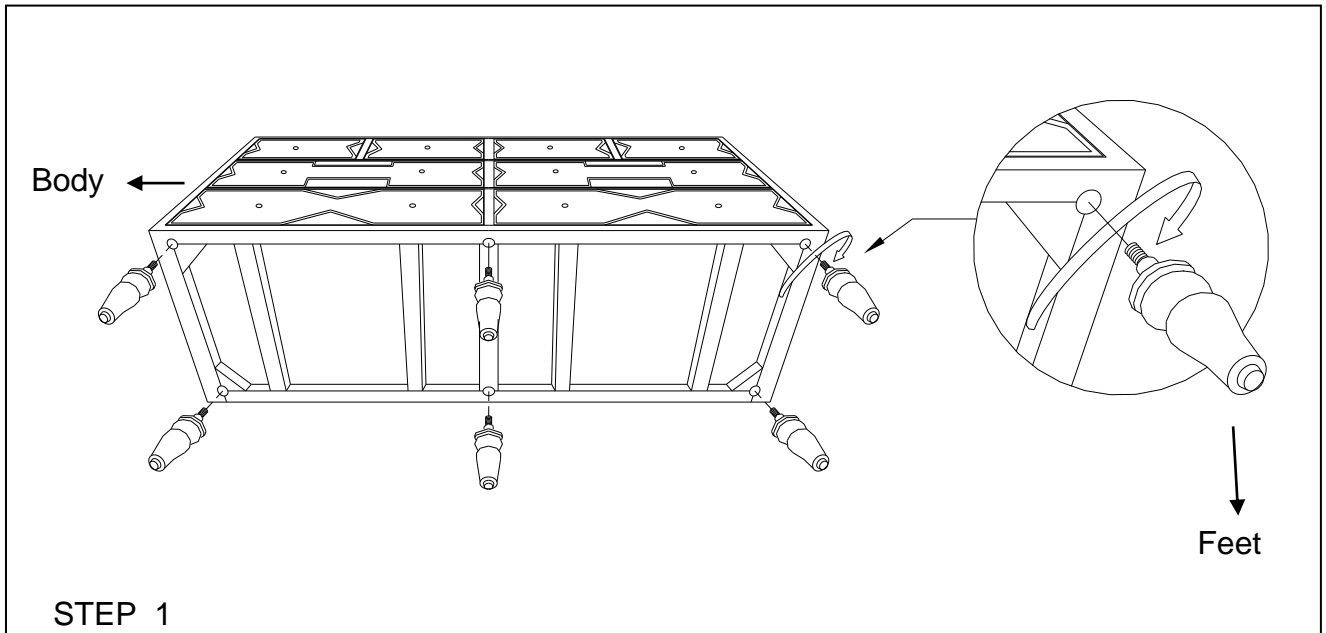


PARTS :

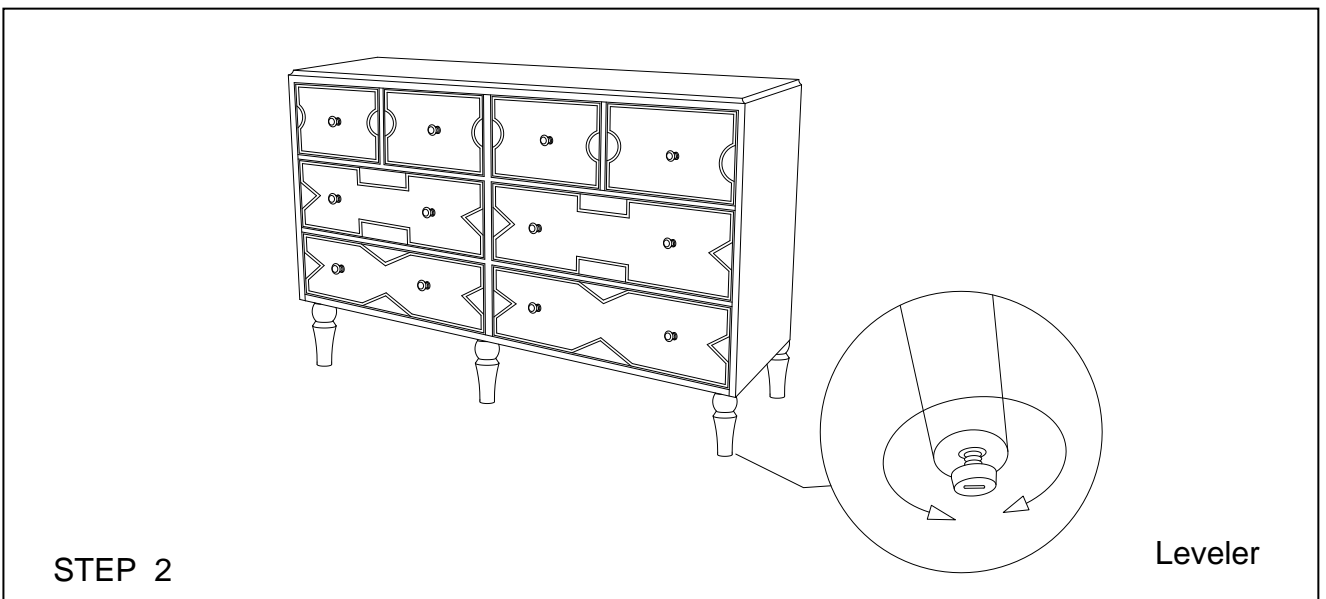




SCH-170215 EVEREST DRESSER ASSEMBLY INSTRUCTION



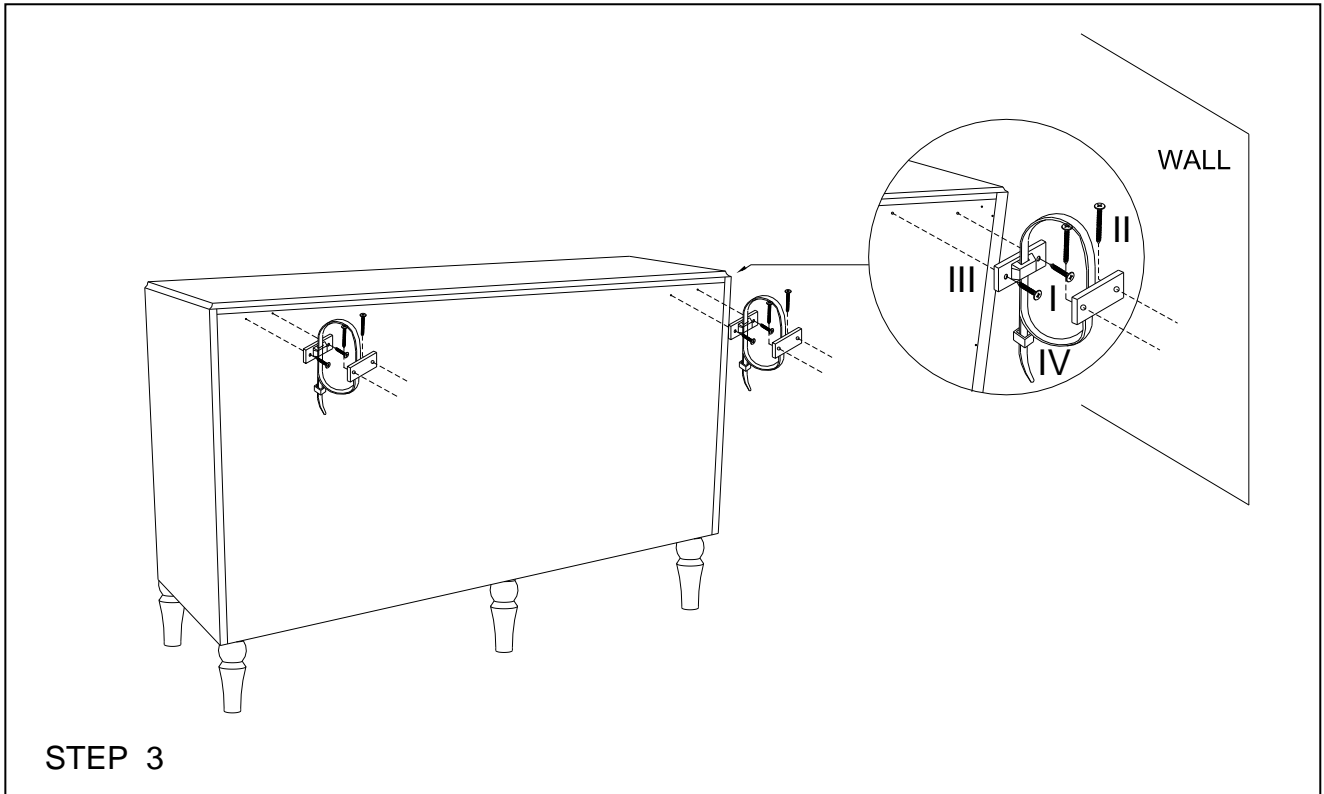
- Place the Dresser on its back . Insert each Feet (B) into the given female receiving slots and turn the Feet clockwise into place.



- If the floor is uneven adjust the levelers located at the underside of the Base, to do this lift Up the side that need to be elevated to provide access to the levelers, turn the leveler until adequate contact with the floor.



SCH-170215 EVEREST DRESSER ASSEMBLY INSTRUCTION



Attach Brackets (III) horizontally to the top of the back of the Dresser using the Small Screws (I). Screw the remaining Brackets (III) horizontally 1 inch below the brackets attached to the Dresser using the large screws (II). The Large Screws (II) should be screwed into a stud in the wall. Align the Brackets and string in Retention Belt (IV). Confirm Strap is securely laced and locked.