









GABBY®

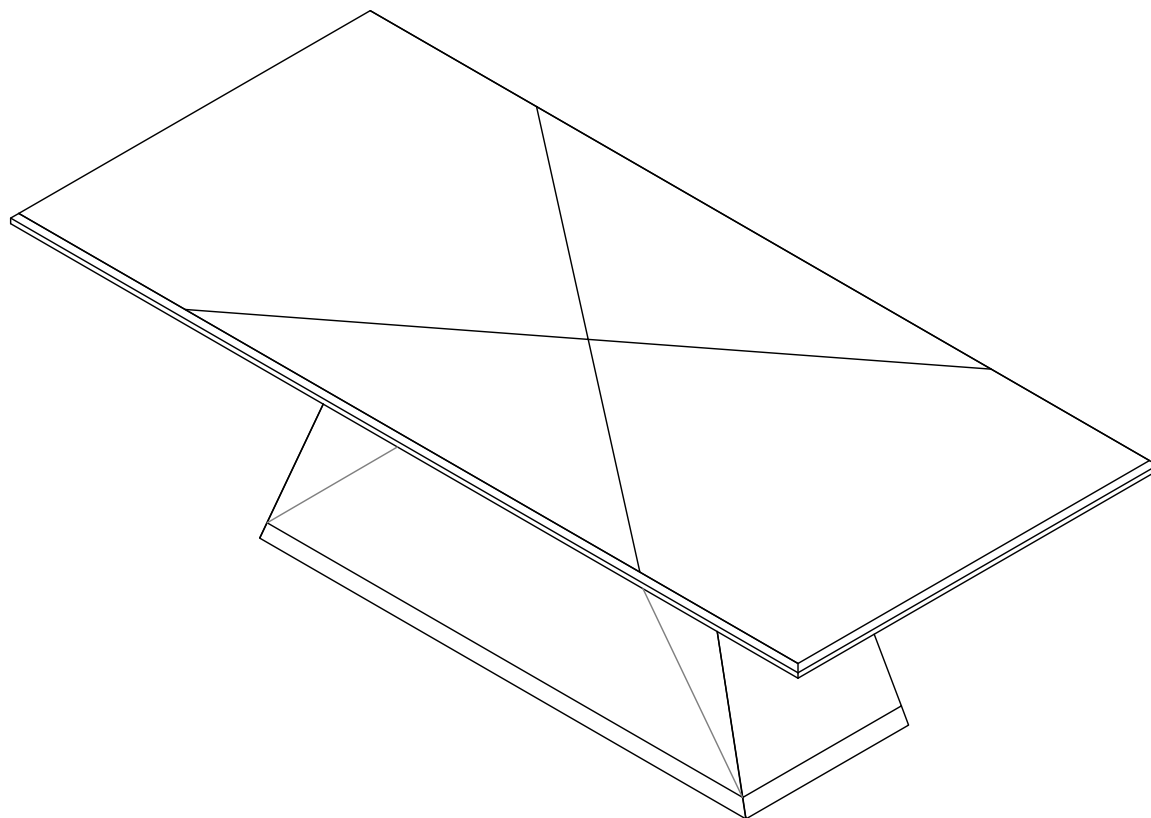
FERRIS DINING TABLE ASSEMBLY INSTRUCTION

Hardware Include :

No	Part	Description	Qty
1		JCBC Bolts $\frac{5}{16}$ " x 35 mm	6 pcs
2		Flat Washer $\frac{6}{16}$ "	6 pcs
3		Spring Washer $\frac{5}{16}$ "	6 pcs
4		Allen Key 5	1 pc

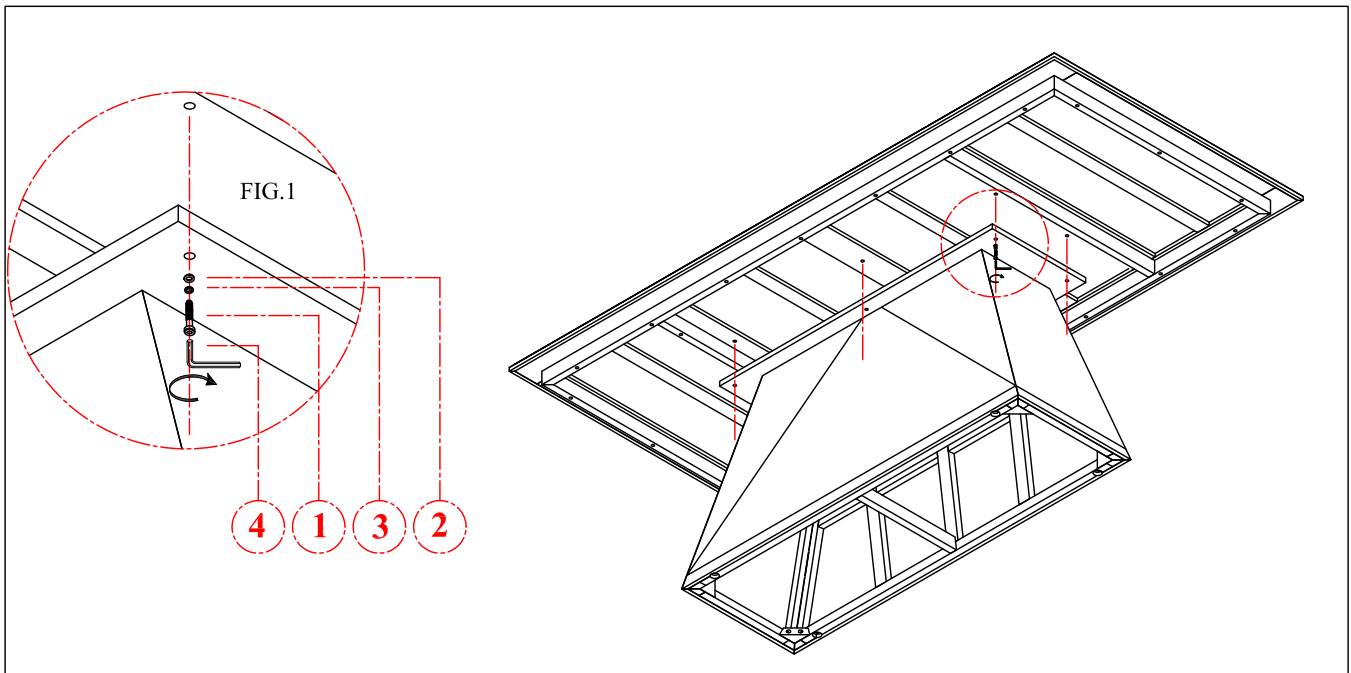
Parts Include :

No	Description	Image	Qty
A	Top Panel		1 pc
B	Base Support		1 pc



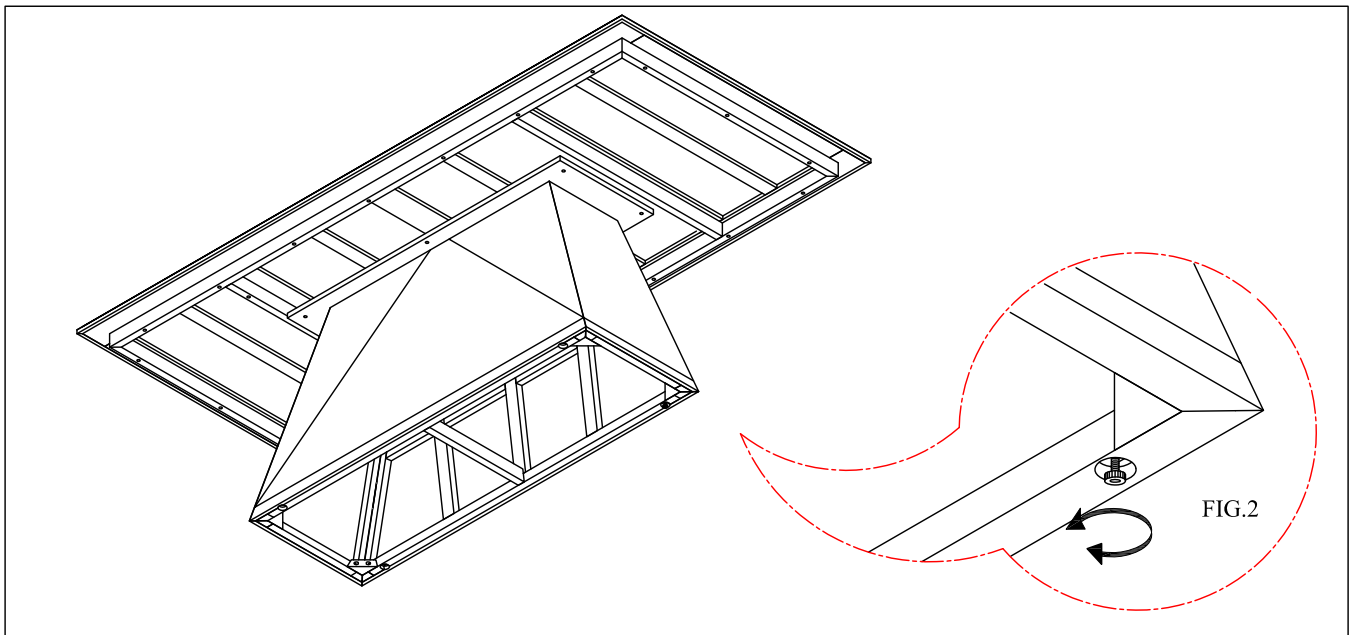


FERRIS DINING TABLE ASSEMBLY INSTRUCTION



HOW TO ASSEMBLY:

- Require two persons to perform this assembly process;
- STEP 1
Attach the Top Panel (A) into the Base Support (B). Using the JCBC Bolt $\frac{5}{16}$ " x 35 mm (1) with Flat Washer (2) and Lock Washer (3). Make sure the Base Support panel is in the stopper of the Top Panel. When all hardware is installed in place, Securely tighten with Allen Key 5 (4) it together.



- STEP 2 :
If the floor uneven the levelers located at the underside of the Leg, to do this lift Up the side that need to be elevated to provide access to the levelers, turn the leveler until adequate contact with the floor as shown FIG.2