

ALUMINUM HORIZON 24X30" RECTANGLE NO HOLE TABLE TOP

**THIS ASSEMBLY REQUIRES TWO PEOPLE**

**ITEMS INCLUDED IN THE HARDWARE KIT:**

- 1) FIVE (4) STAINLESS STEEL ALLEN BOLTS
- 2) FIVE (4) STAINLESS STEEL LOCK WASHERS
- 3) FIVE (4) STAINLESS STEEL FLAT WASHERS
- 4) ONE (1) ALLEN WRENCH

**PARTS INCLUDED:**

- 1) ALUMINUM HORIZON 24X30" RECTANGLE NO HOLE TABLE TOP

**STEP 1:**

With another person, place your top on a padded, non-abrasive surface with bottom facing upward. Align table base with holes on the table top.

**STEP 2:**

Insert one allen bolt with lock & flat washers into each threaded hole on the table top. **Hand tight only. Do not continue until all bolts are properly aligned with each holes.**

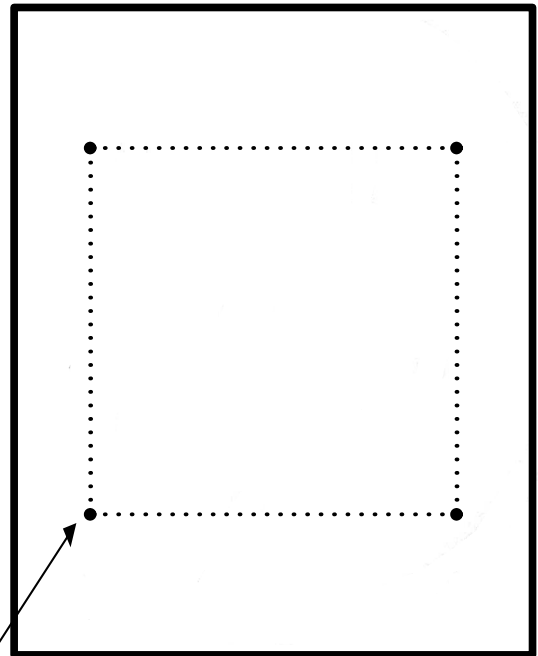
**STEP 3:**

Tighten all bolts using the included allen wrench. **Do not over tighten. Do not use electric drill.**

**STEP 4:**

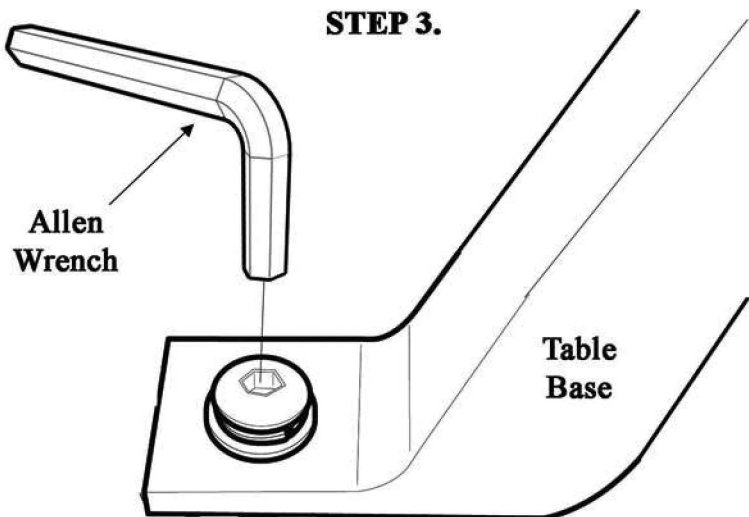
Once assembled, flip table & base so that it stands on the table base.

**STEP 1.**



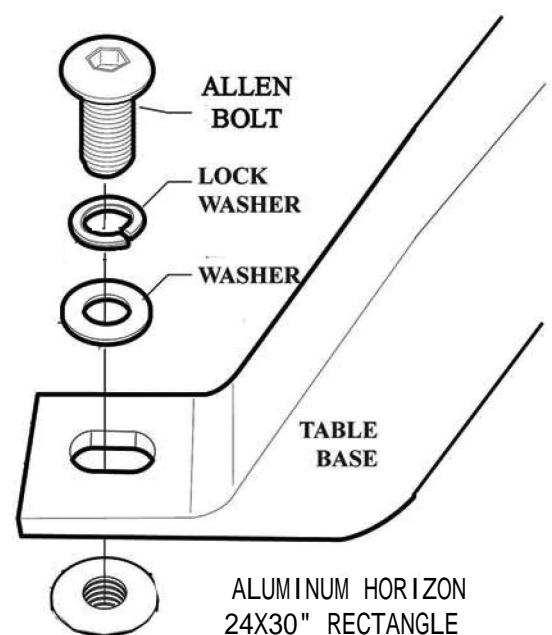
HOLES ON  
UNDERSIDE

**STEP 3.**



ALUMINUM HORIZON 24X30" RECTANGLE  
NO HOLE TABLE TOP

**STEP 2.**



ALUMINUM HORIZON  
24X30" RECTANGLE  
NO HOLE TABLE TOP