

ALUMINUM HORIZON 32X48" RECTANGLE NO HOLE TABLE TOP

THIS ASSEMBLY REQUIRES TWO PEOPLE

ITEMS INCLUDED IN THE HARDWARE KIT:

- 1) FIVE (4) STAINLESS STEEL ALLEN BOLTS
- 2) FIVE (4) STAINLESS STEEL LOCK WASHERS
- 3) FIVE (4) STAINLESS STEEL FLAT WASHERS
- 4) ONE (1) ALLEN WRENCH

PARTS INCLUDED:

- 1) ALUMINUM HORIZON 32X48" RECTANGLE
NO HOLE TABLE TOP

STEP 1:

With another person, place your top on a padded, non-abrasive surface with bottom facing upward. Align table base with holes on the table top.

STEP 2:

Insert one allen bolt with lock & flat washers into each threaded holes on the table top. **Hand tight only. Do not continue until all bolts are properly aligned with each holes.**

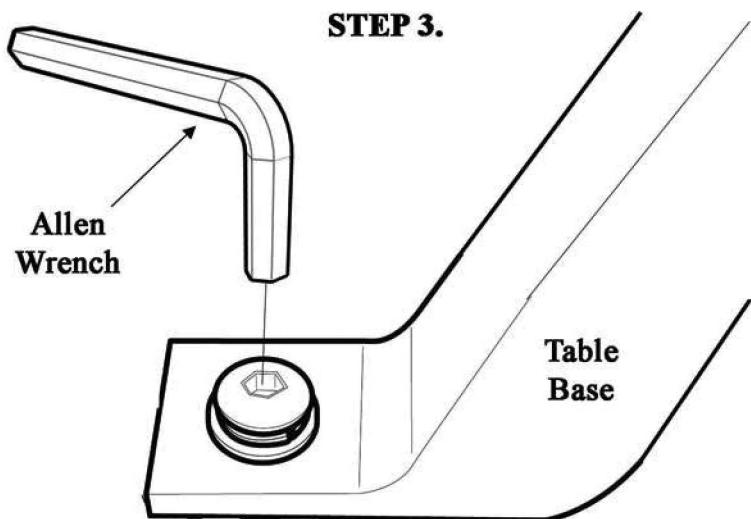
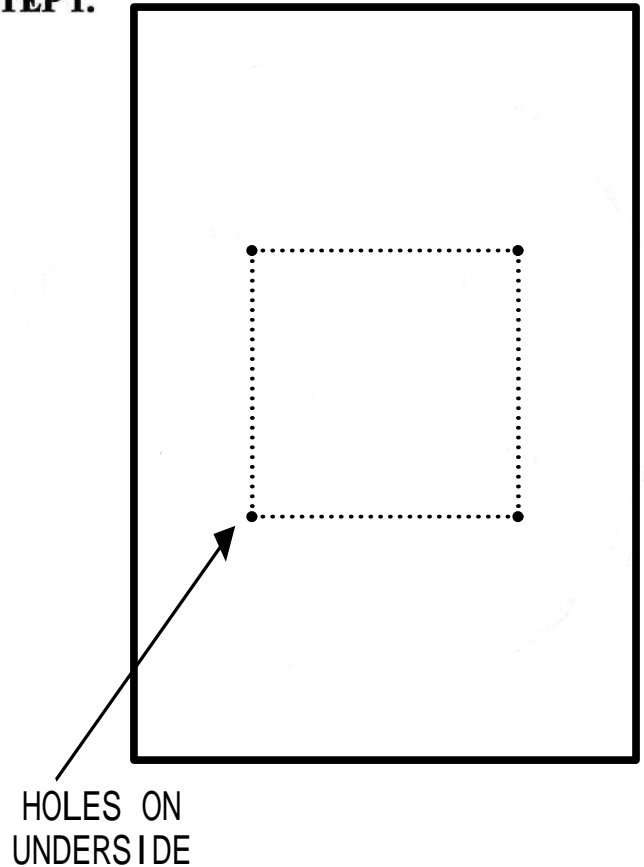
STEP 3:

Tighten all bolts using the included allen wrench. **Do not over tighten. Do not use electric drill.**

STEP 4:

Once assembled, flip table & base so that it stands on the table base.

STEP 1.



ALUMINUM HORIZON 32X48" RECTANGLE
NO HOLE TABLE TOP

STEP 2.

