

ALUMINUM HORIZON 60" ROUND WITH UMBRELLA HOLE TABLE TOP

THIS ASSEMBLY REQUIRES TWO PEOPLE

ITEMS INCLUDED IN THE HARDWARE KIT:

- 1) FIVE (5) STAINLESS STEEL ALLEN BOLTS
- 2) FIVE (5) STAINLESS STEEL LOCK WASHERS
- 3) FIVE (5) STAINLESS STEEL FLAT WASHERS
- 4) ONE (1) ALLEN WRENCH

PARTS INCLUDED:

- 1) ALUMINUM HORIZON 60" ROUND WITH UMBRELLA HOLE TABLE TOP

STEP 1:

With another person, place your top on a padded, non-abrasive surface with bottom facing upward. Align table base with holes on the table top.

STEP 2:

Insert one allen bolt with lock & flat washers into each threaded hole on the table top. **Hand tight only. Do not continue until all bolts are properly aligned with each holes.**

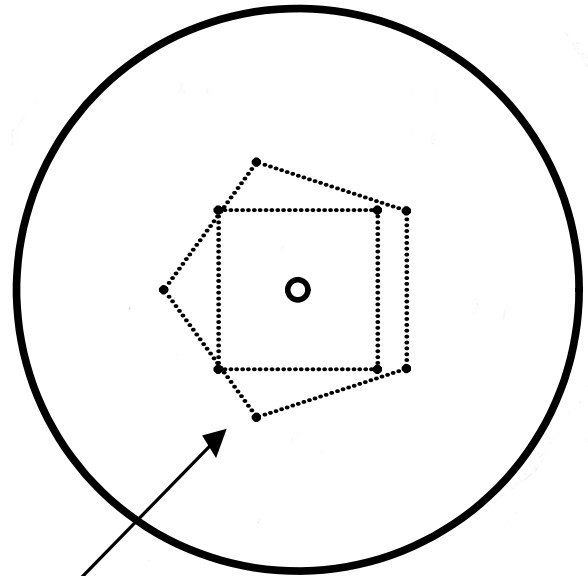
STEP 3:

Tighten all bolts using the included allen wrench. **Do not over tighten. Do not use electric drill.**

STEP 4:

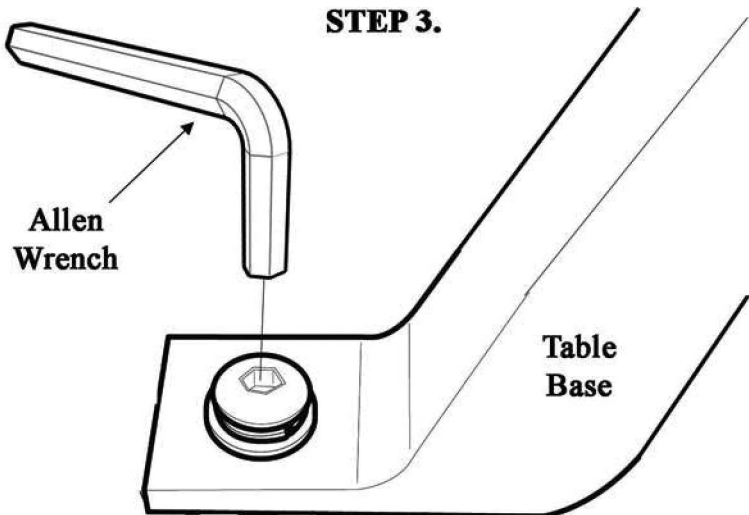
Once assembled, flip table & base so that it stands on the table base.

STEP 1.



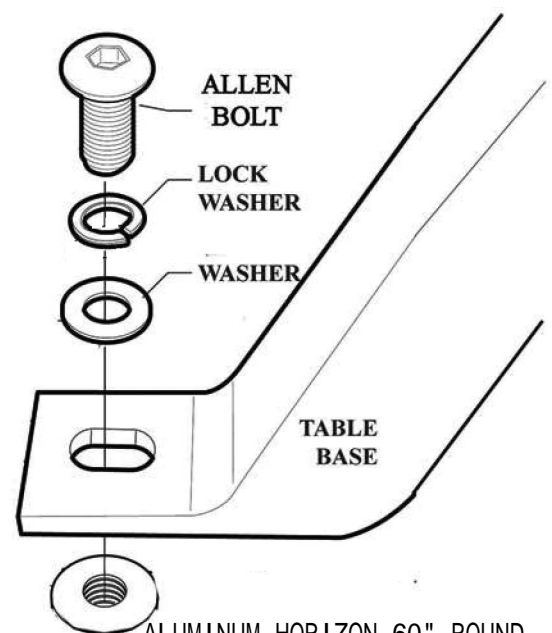
HOLES ON UNDERSIDE

STEP 3.



ALUMINUM HORIZON 60" ROUND WITH UMBRELLA HOLE TABLE TOP

STEP 2.



ALUMINUM HORIZON 60" ROUND WITH UMBRELLA HOLE TABLE TOP