

## HAVANA CONSOLE TABLE ASSEMBLY INSTRUCTION

### PARTS INCLUDE :

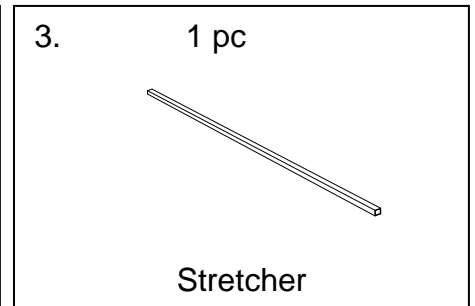
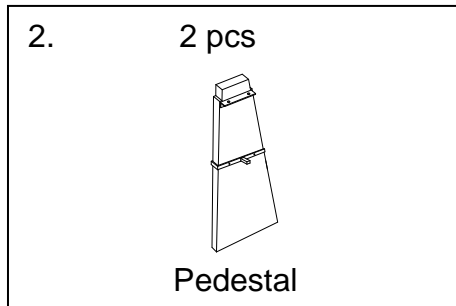
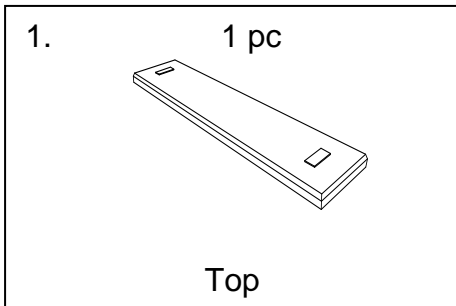
1. 1 - Top
2. 2 - Pedestal
3. 1 - Stretcher

### HARDWARE INCLUDE :

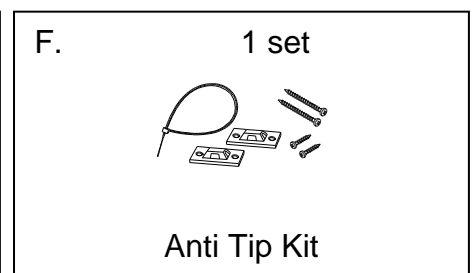
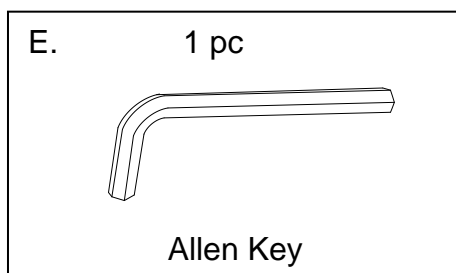
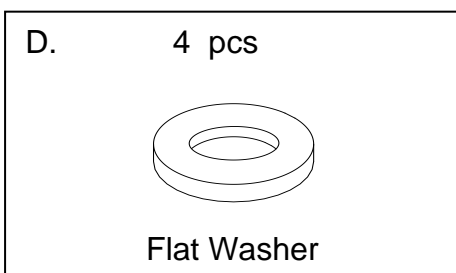
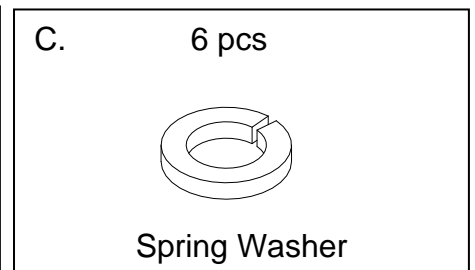
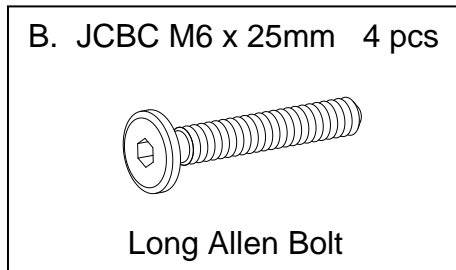
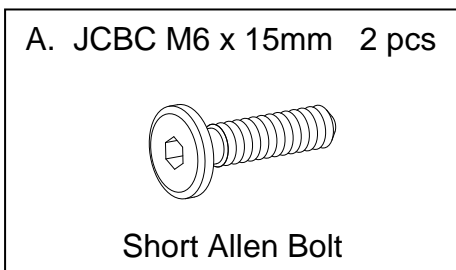
- A. 2 – Short Allen Bolt
- B. 4 – Long Allen Bolt
- C. 6 – Spring Washer
- D. 4 – Flat Washer
- E. 1 – Allen Key
- F. 1- Anti Tip Kit
  - I. 2- Small Screw
  - II. 2- Large Screw
  - III. 1- Bracket
  - IV. 1- Retention Belt



### PARTS:

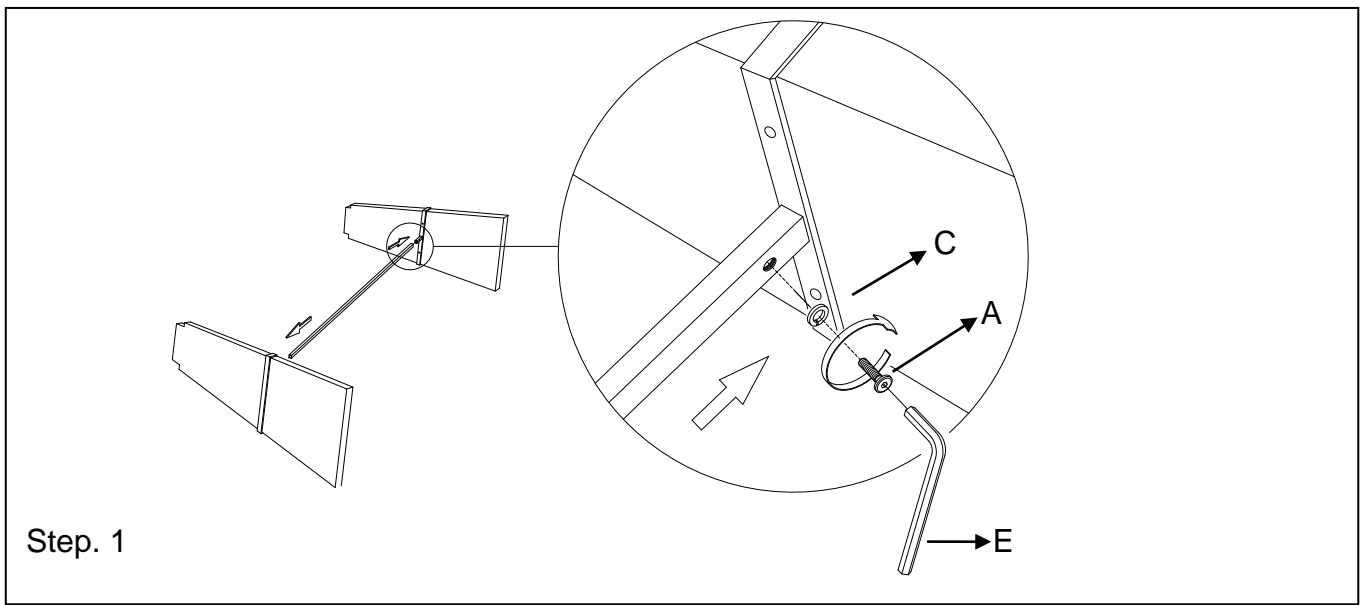


### HARDWARE:



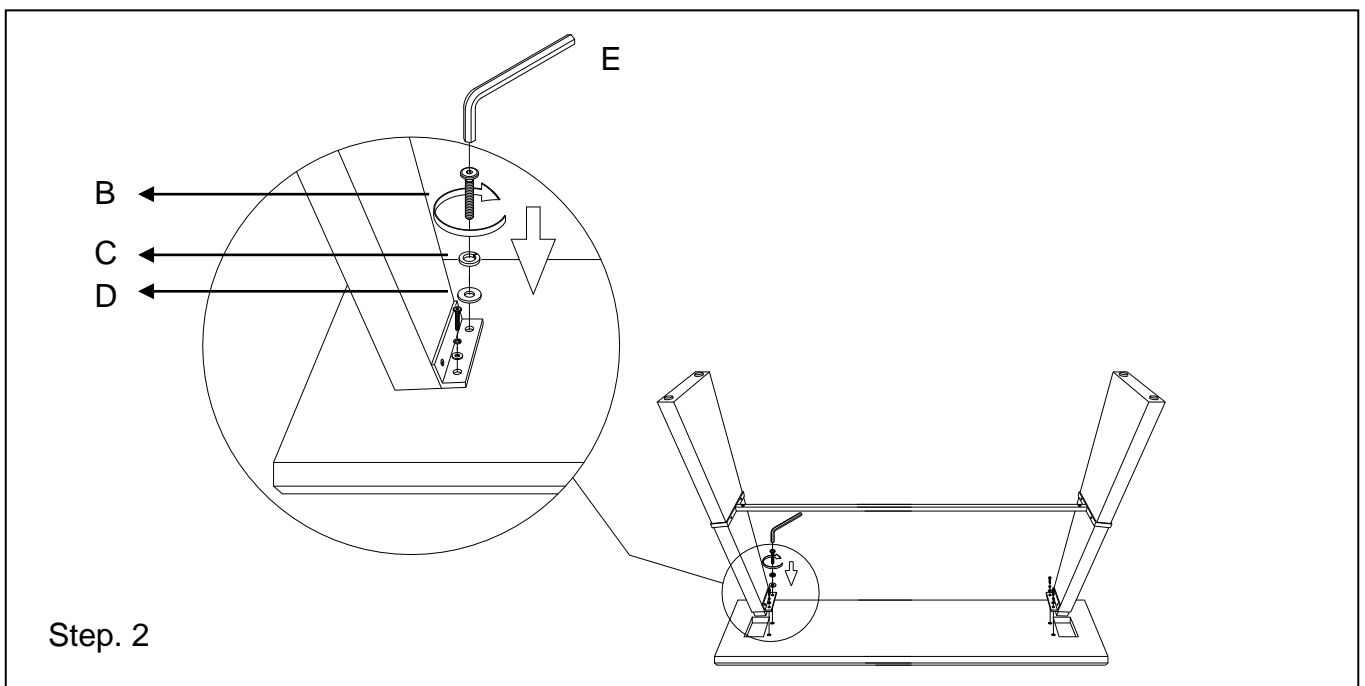


## HAVANA CONSOLE TABLE ASSEMBLY INSTRUCTION



Step. 1

- Put the two Pedestal side up down on a clean padded surface to avoid scratches.
- Insert both end of the stretcher into the metal pin of the pedestal.
- Insert the Bolt (A) with lock washer into the threaded metal pin and tighten with the Allen Key (E).

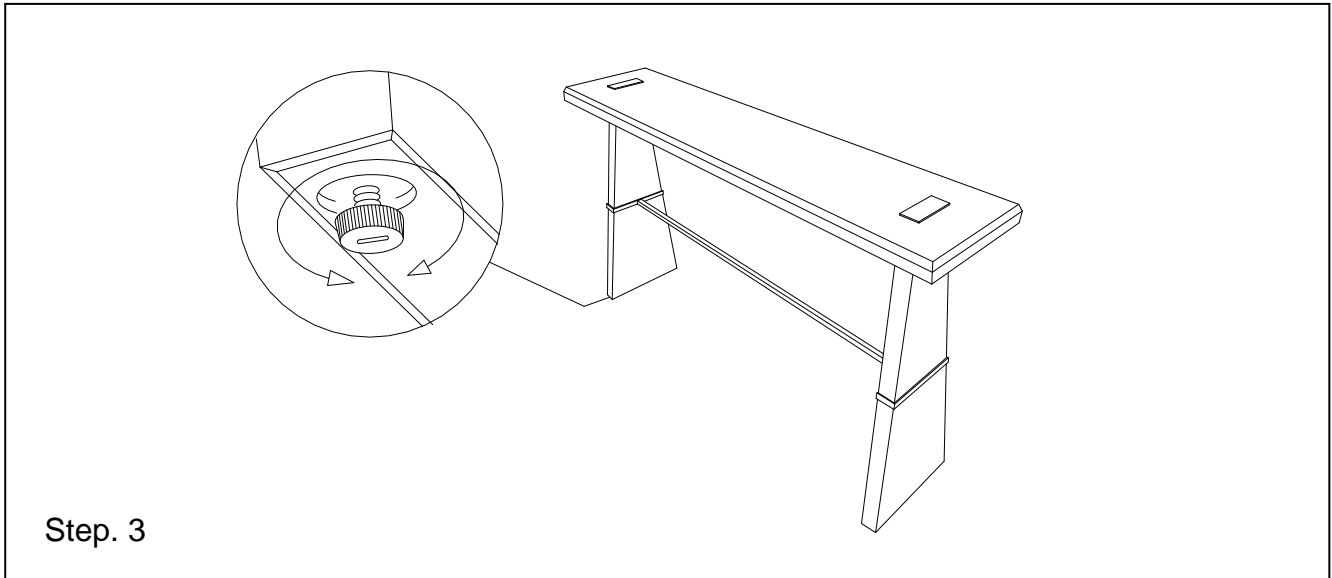


Step. 2

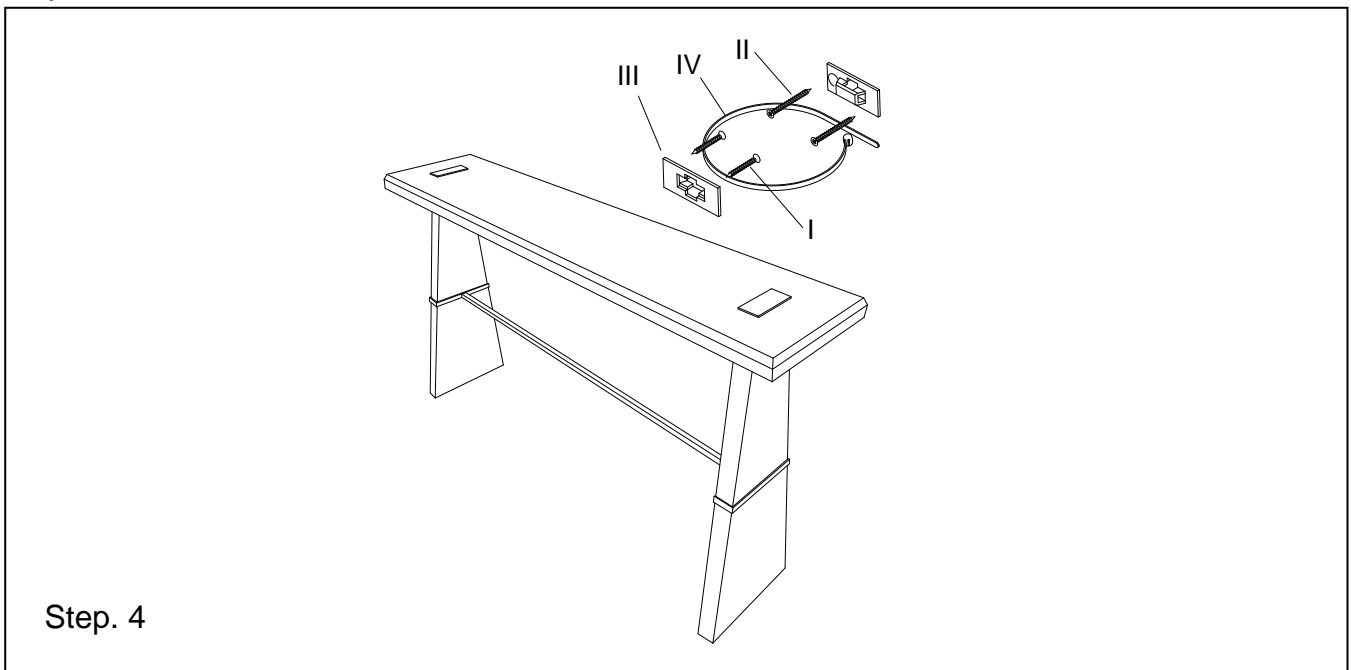
- Put the Top upside down on a clean padded surface to avoid scratches.
- Reverse the Pedestal and insert the tenon into the mortise of the top.
- Insert the Bolts (B) with complete washers into the female insert nut of the top and tighten with the Allen Key.



## HAVANA CONSOLE TABLE ASSEMBLY INSTRUCTION



- If the floor is uneven adjust the levelers located at the underside of the pedestal, to do this lift Up the side that need to be elevated to provide access to the levelers, turn the leveler until adequate contact with the floor.



- Attach the Brackets (C) horizontally to the top of the back of the Table using the Small Screws (A). Screw the remaining Brackets (C) vertically 1 inch below the brackets attached to the Table using the large screws (B). The Large Screws (B) should be screwed into a stud in the wall. Align the Brackets vertically and string in the Retention Belt (D). Confirm Strap is securely laced and locked.

