



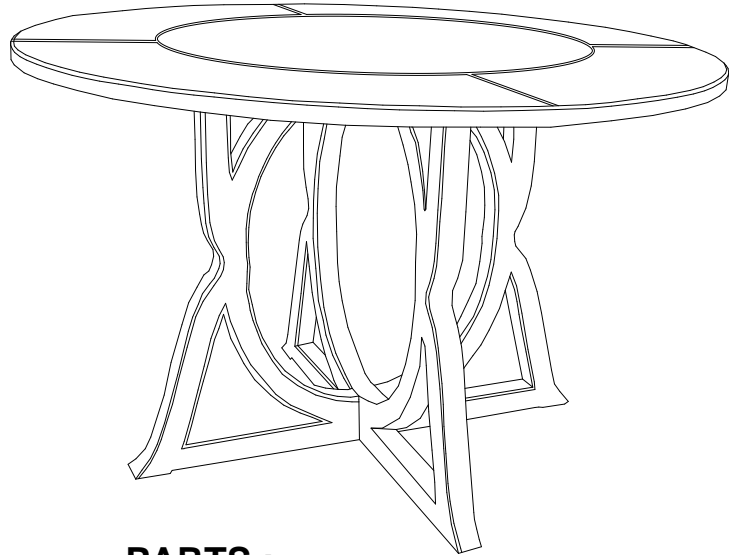
KENDLETON DINING TABLE ASSEMBLY INSTRUCTION

HARDWARE INCLUDE :

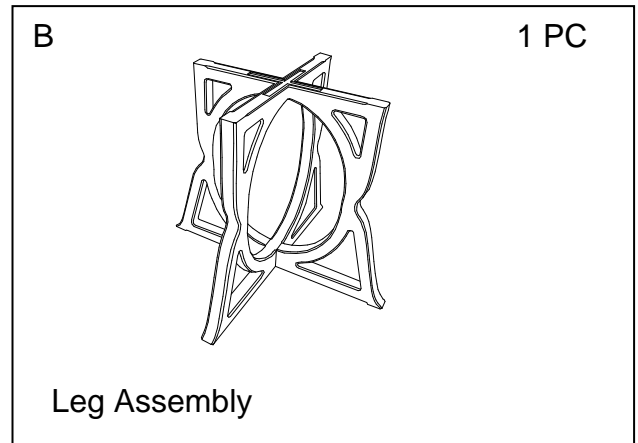
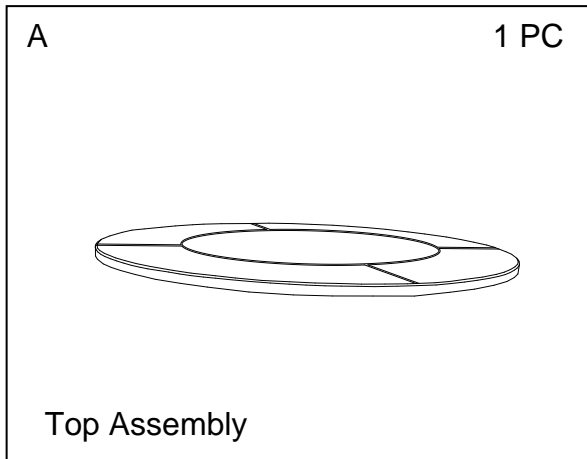
1. Allen Bolt
2. Lock Washer
3. Flat Washer
4. Allen key

PARTS INCLUDE :

- 1 – Top Assembly
- 1 – Leg Assembly

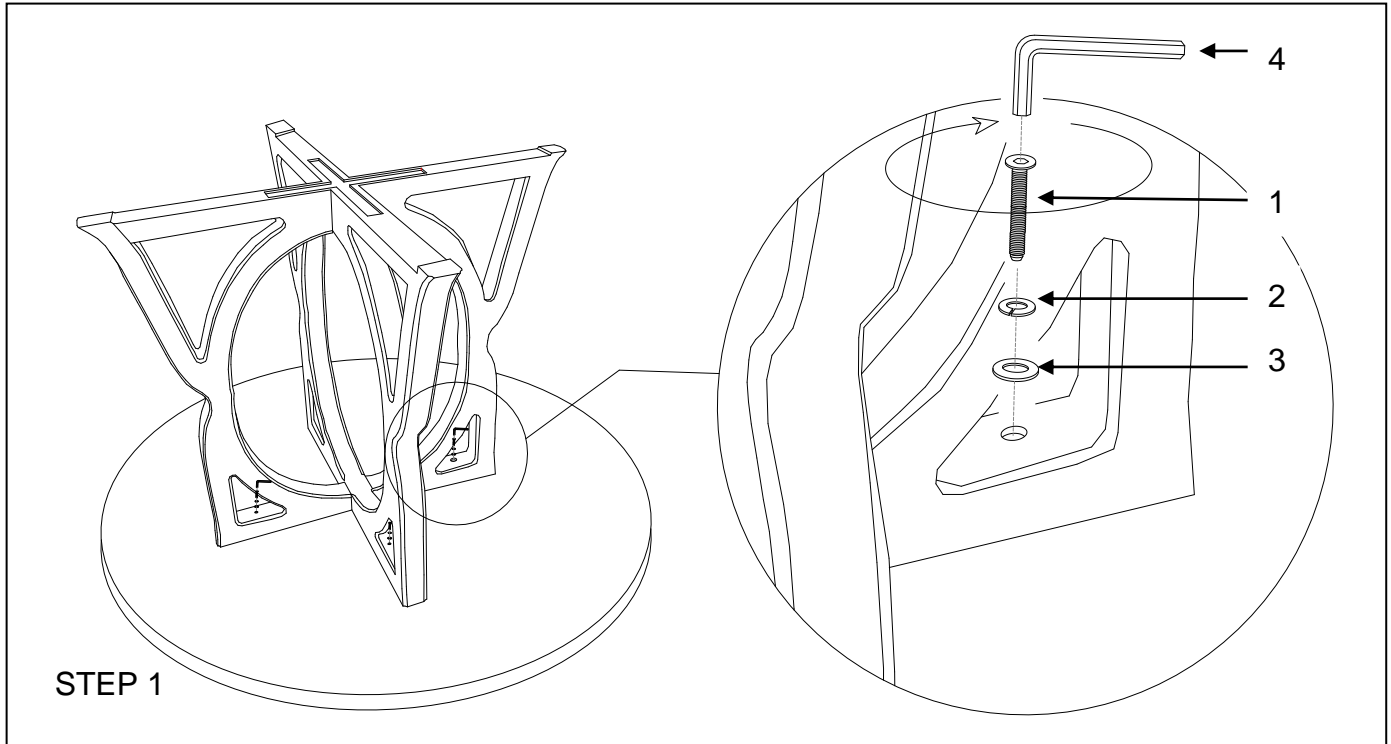


PARTS :

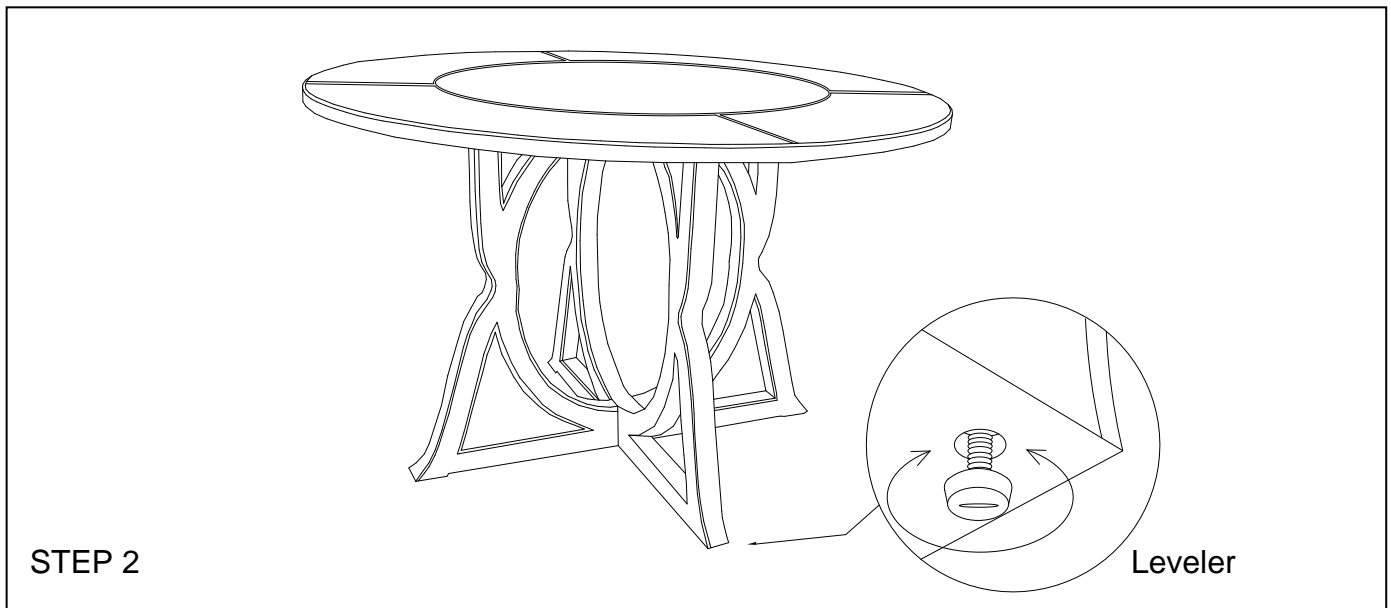




KENDLETON DINING TABLE ASSEMBLY INSTRUCTION



Reverse the assembled pedestal, to attach the PEDESTAL into the pre-drilled holes of the TOP ASSEMBLY, insert the Bolts and tighten with the Allen Key enclosed.



If the floor is uneven adjust the levelers located at the underside of the Leg, to do this lift Up the side that need to be elevated to provide access to the levelers, turn the leveler until adequate contact with the floor.