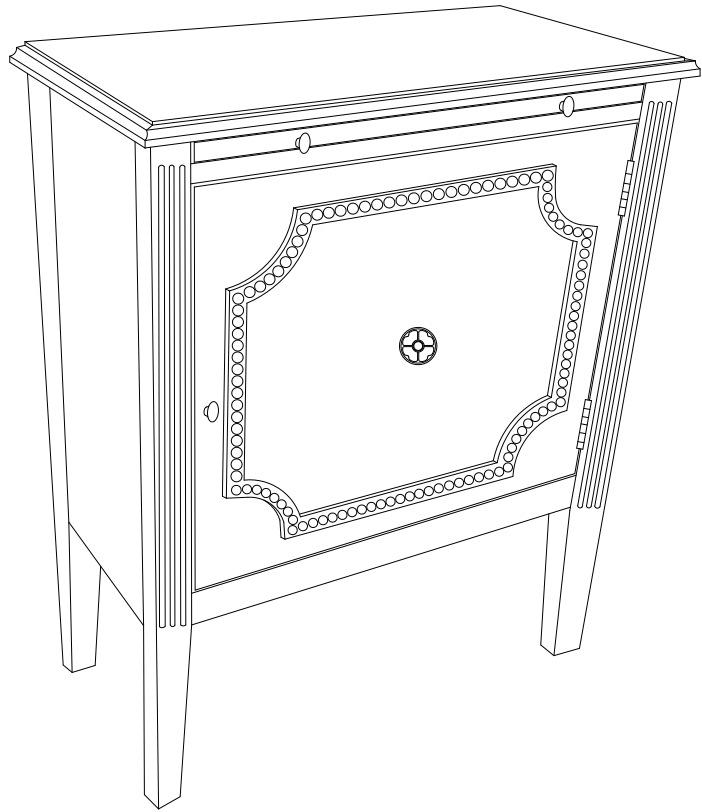




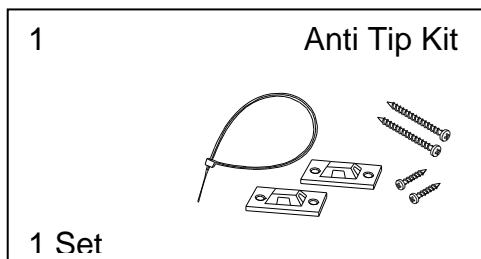
LANDRY SIDE TABLE ASSEMBLY INSTRUCTION



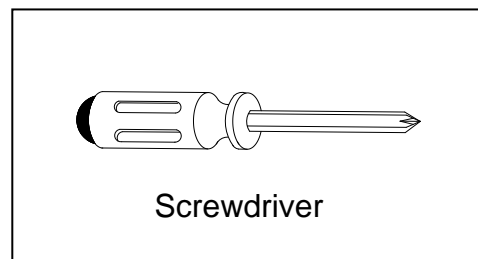
HARDWARE INCLUDE:

1. 1 - Anti Tip Kit
 - A. 2 -Small Screw
 - B. 2- Large Screw
 - C. 2-Bracket
 - D. 1-Retention Belt

HARDWARE :

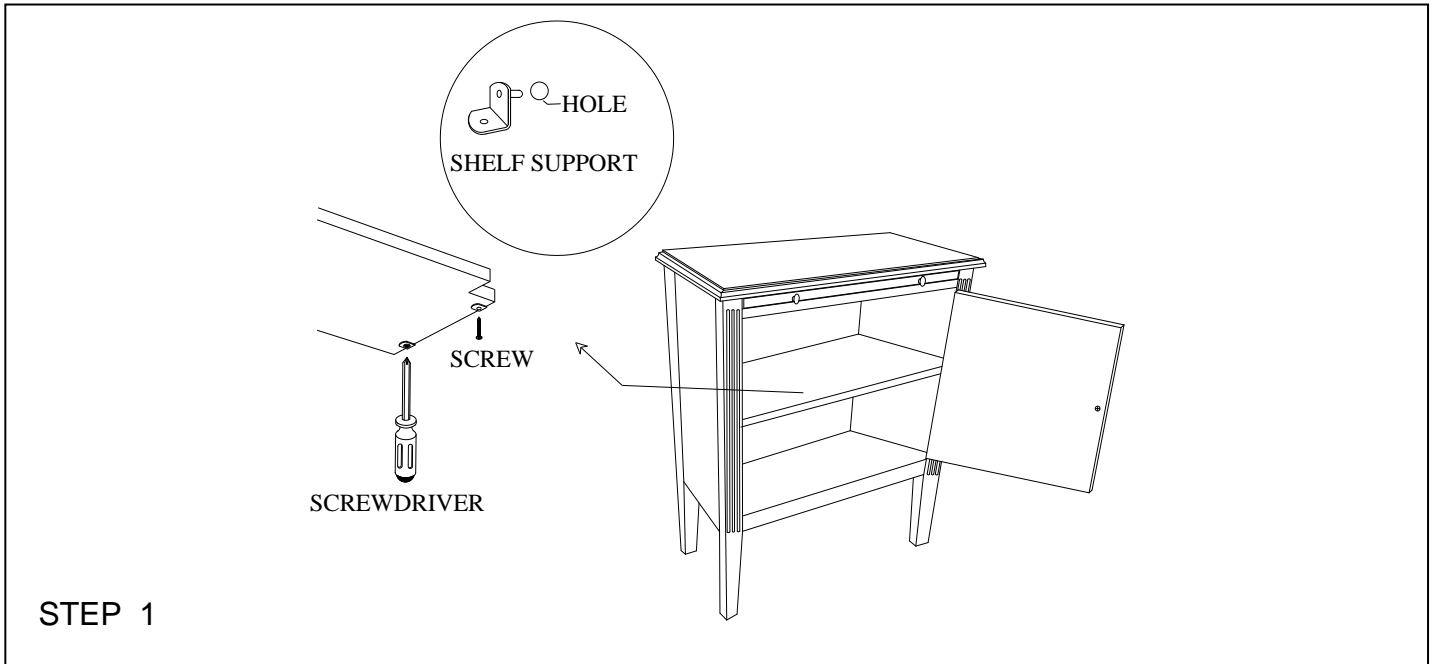


TOOLS NOT INCLUDED :

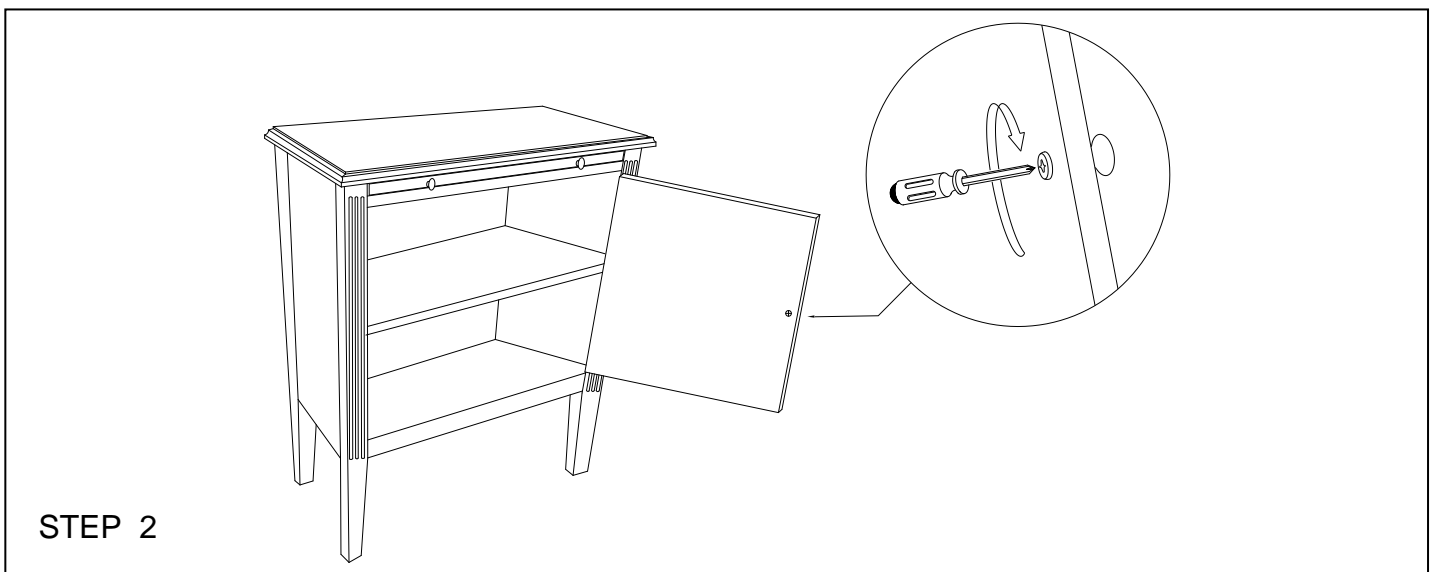




LANDRY SIDE TABLE ASSEMBLY INSTRUCTION



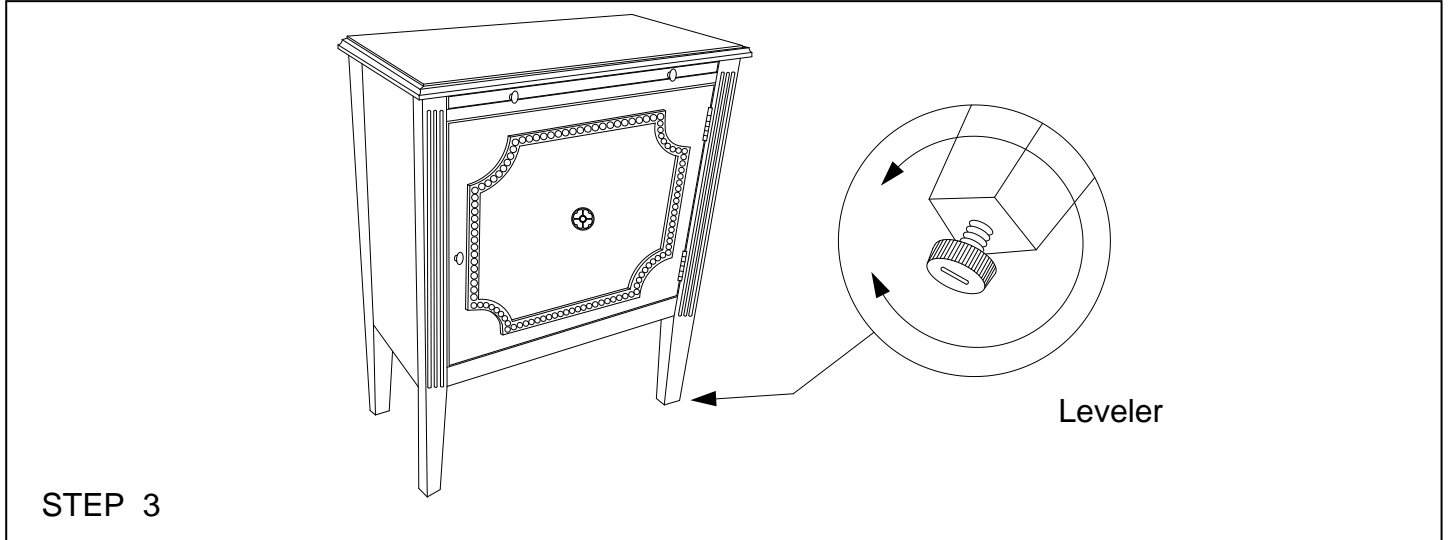
To remove adjustable shelves, remove screw from shelf support, then carefully lift shelves up and out of the case. To reposition adjustable shelves, insert Stem of shelf supports into Holes in End Panel, as shown. Rest the shelf on the shelf supports, and reinstall screws



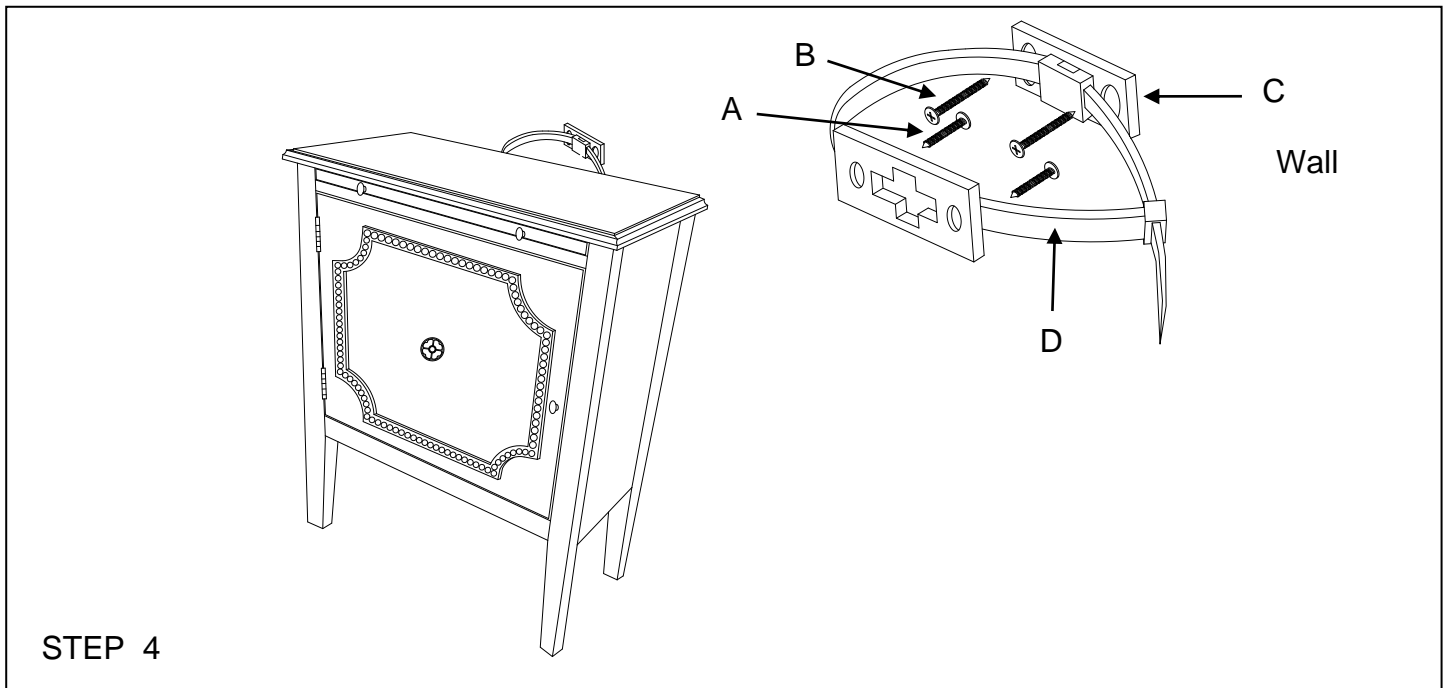
Re-Tighten the bolts from inside of the door using Philip Screwdriver (not included). This can to be done and check periodically to make sure the drawer pull are always tight.



LANDRY SIDE TABLE ASSEMBLY INSTRUCTION



If the floor is uneven adjust the levelers located at the underside of the Leg, to do this lift Up the side that need to be elevated to provide access to the levelers, turn the leveler until adequate contact with the floor.



Attach the Brackets (C) horizontally to the top of the back of the Table using the Small Screws (A). Screw the remaining Brackets (C) vertically 1 inch below the brackets attached to the Table using the large screws (B). The Large Screws (B) should be screwed into a stud in the wall. Align the Brackets vertically and string in the Retention Belt (D). Confirm Strap is securely laced and locked.