







SCH-161140 NICHOLSON BAR TABLE ASSEMBLY INSTRUCTION

Hardware Include :

No	Part	Description	Qty
A		Flat Washer	8 pcs
B		Spring Washer	8 pcs
C		Hex Nut	8 pcs
D		Wrench	1 pc

Parts Include :

No	Description	Qty
1	Top Table	1 pc
2	Leg I	2 pcs
3	Leg II	2 pcs

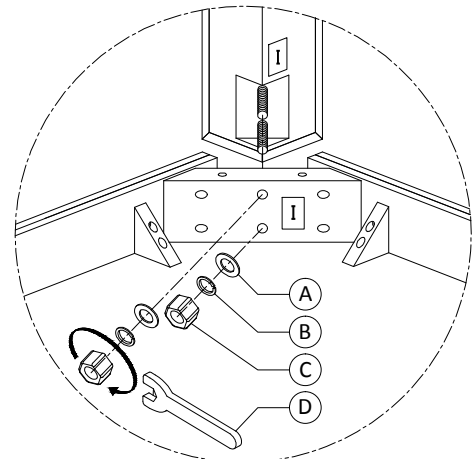
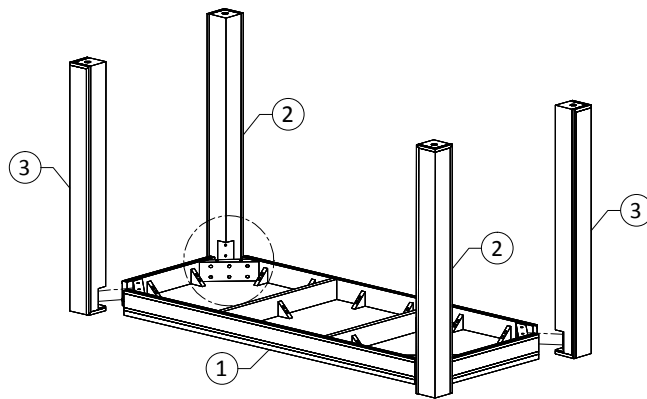


FIG.1

How to Assembly :

Require two persons to perform this assembly process.

•STEP 1 :

Please lay Table Top (1) upside down on the floor that has been lined with thick soft cloth to protect the table top from direct contact to the floor and scratch the top.

•STEP 2 :

Please slide Leg I (2) and Leg II (3) in the wooden corner bracket on the Table Top (1) corners that marked accordingly with stickers as "I" or "II". Make sure the legs are slide completely to the end and on every threaded rods from the legs, please place the fastening hardware starting from Flat Washer (A), Spring Washer (B), and Hex Nut (C). By using the provided Wrench (D), please fasten the Hex Nut by turning it clock wise until it fastened completely. Make sure all 4 legs are assembled correctly and the legs are sturdy. During the use of this table, it might be required to check and fastening the hex nut periodically.

•STEP 3 :

Due to the product weight, this step strictly needs 2 persons to perform.

Please carefully turn the assembled table so it stands on it 4 legs and move the table to the desired position.

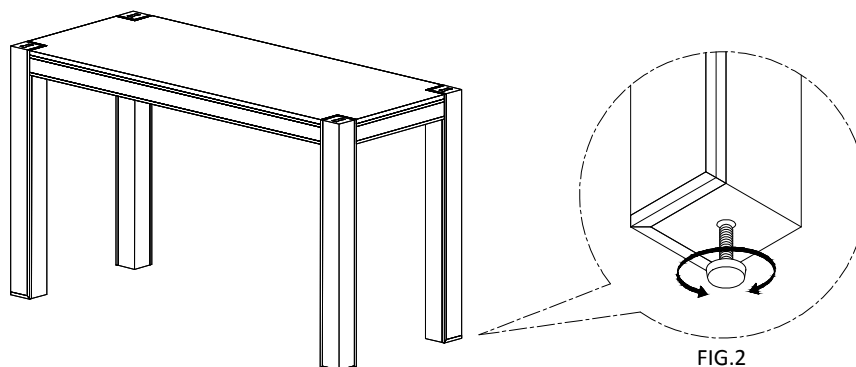


FIG.2

•STEP 4 :

If the floor uneven the levelers located at the underside of the Leg, to do this lift Up the side that need to be elevated to provide access to the levelers, turn the leveler until adequate contact with the floor as shown FIG.2