

FIGURE 1

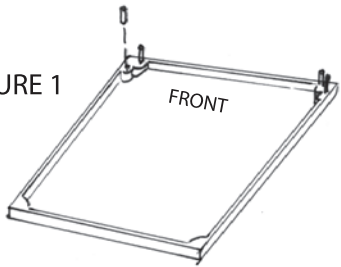


FIGURE 2

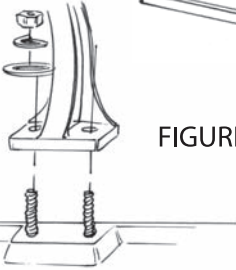


FIGURE 3



FIGURE 4

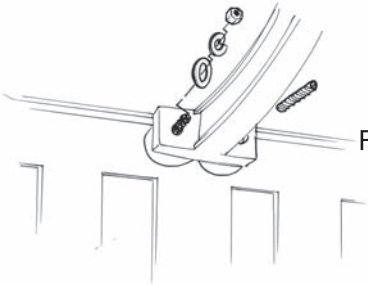


FIGURE 5

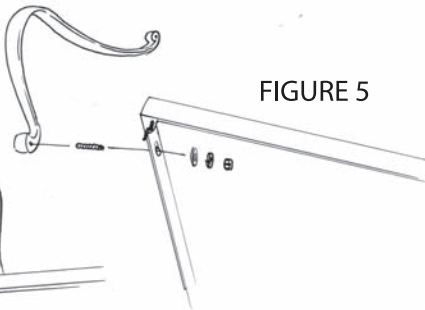
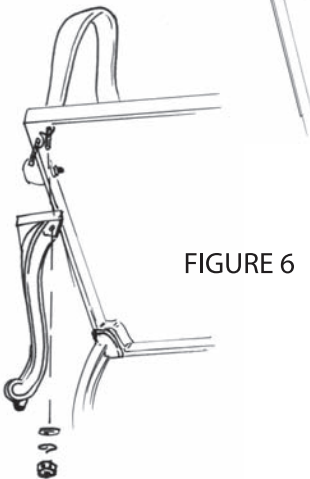


FIGURE 6



## ROMANCE / PROVANCE LOUNGE CHAIR ASSEMBLY INSTRUCTIONS

### ITEMS INCLUDED IN THE HARDWARE KIT:

1. TEN (10) ALL-THREAD HEADLESS STAINLESS STEEL BOLTS
2. TEN (10) STAINLESS STEEL LOCK WASHERS
3. TEN (10) STAINLESS STEEL WASHERS
4. TEN (10) STAINLESS STEEL NUTS
5. TWO (2) STAINLESS STEEL RECESSED PHILLIPS-HEAD SCREWS

### PARTS INCLUDED:

1. ONE (1) CHAIR SEAT
2. ONE (1) CHAIR BACK
3. TWO (2) CORNER CHAIR LEGS
4. ONE (1) CHAIR ARM (LEFT SIDE)
5. ONE (1) CHAIR ARM (RIGHT SIDE)

### TOOLS REQUIRED:

1. FLAT-HEAD SCREWDRIVER
2. PHILLIPS-HEAD SCREWDRIVER
2. WRENCH OR SOCKET WRENCH

### STEP 1:

PLACE THE SEAT ON A PADDED SURFACE WITH THE BOTTOM FACING UPWARD. FIGURE 1

### STEP 2:

INSERT FOUR (4) ALL-THREAD HEADLESS STAINLESS STEEL BOLTS INTO THE HOLES FOR THE FRONT LEGS, AS SHOWN. TIGHTEN USING FLAT-HEAD SCREWDRIVER. FIGURE 1 AND FIGURE 2

### STEP 3:

LAY CHAIR BACK FLAT ON A PADDED SURFACE. INSERT SEAT, AS SHOWN. INSERT FOUR (4) HEADLESS BOLTS TO CONNECT THE CHAIR BACK AND THE CHAIR SEAT. HAND-TIGHTEN USING FLAT-HEAD SCREWDRIVER. PLACE FOUR (4) WASHERS, FOUR (4) LOCK WASHERS AND FOUR (4) NUTS ON THE BOLTS. USE WRENCH TO TIGHTEN. FIGURE 3 AND FIGURE 4

### STEP 4:

USING ONE STAINLESS STEEL RECESSED SCREW AND ONE HEADLESS BOLT PER ARM, ATTACH ARMS, AS SHOWN. PLACE ONE WASHER, ONE LOCK WASHER AND ONE NUT ON EACH RECESSED BOLT AS SHOWN. HAND-TIGHTEN USING OPEN WRENCH. FIGURE 5

### STEP 5:

INSERT CORNER LEG ONTO HEADLESS BOLTS, USING ONE WASHER, ONE LOCK WASHER, AND ONE NUT PER BOLT, FASTEN LEGS TO SEAT AS SHOWN, HAND-TIGHTEN USING WRENCH. **DO NOT OVER TIGHTEN. DO NOT USE ELECTRIC DRILL.** FIGURE 6