

ROMA CONSOLE TABLE
Assembly Instructions

THIS ASSEMBLY REQUIRES TWO PEOPLE

ITEMS INCLUDED IN THE HARDWARE KIT:

1) SIXTEEN (16) PLASTIC BUMPERS

PARTS INCLUDED:

1) TWO (2) STONE TOPS.

STEP 1:

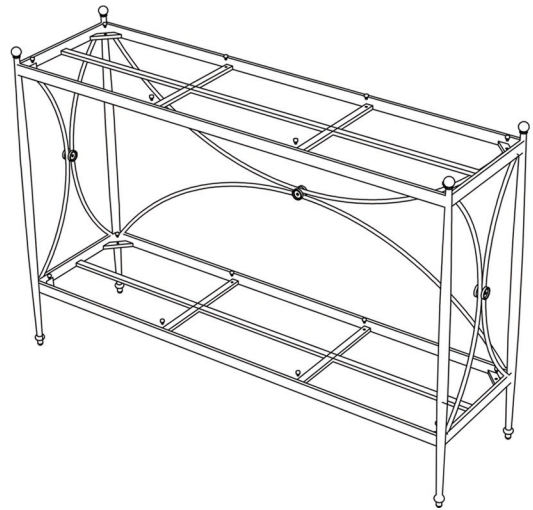
Place the plastic bumpers onto the 16 holes of the top and bottom bracket.

STEP 2:

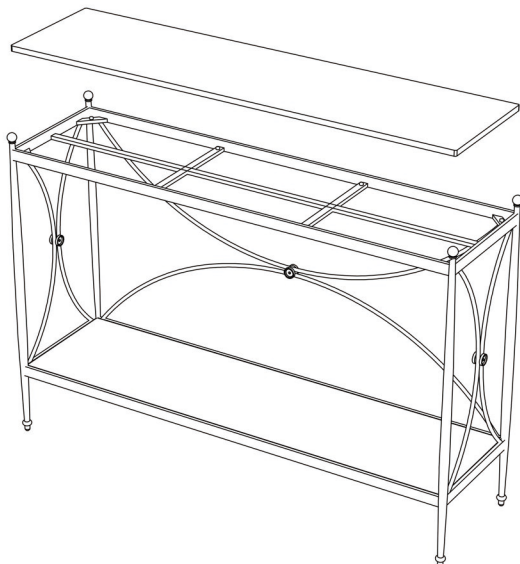
With another person, place the stone top to the bottom bracket. And then place the stone top to the top bracket.



STEP 1:



STEP 2:



STEP 1:

