



SCH-166250 SALVADOR DESK ASSEMBLY INSTRUCTION

Hardware Include :

No	Part	Description	Qty
1		JCBC Bolts M6 x 50 mm	10 pcs
2		Flat Washer M6	10 pcs
3		Spring Washer M6	10 pcs
4		Allen Key 4	1 pc

Parts Include :

No	Description	Qty
A	Center Top	1 pc
B	Side Top	2 pcs

HOW TO ASSEMBLY:

- Require two persons to perform this assembly process.

STEP 1:

- Remove the Drawer from the Center Top, by pressing the stopper under the drawer;

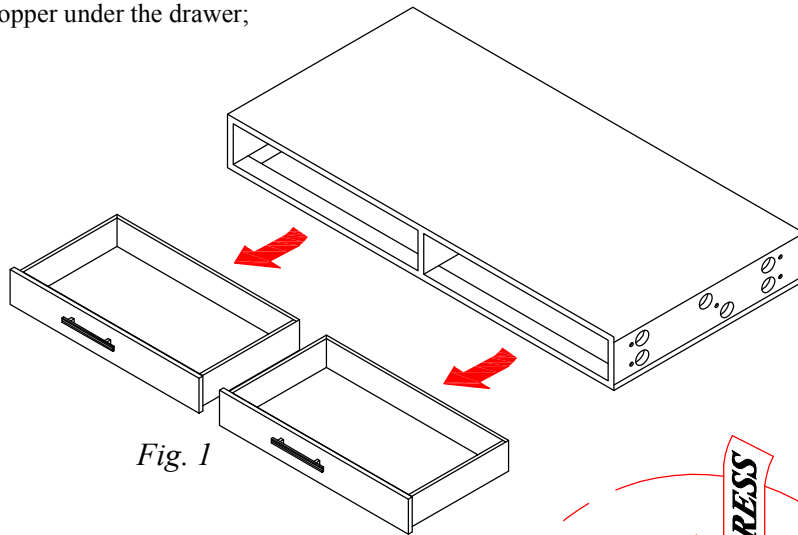


Fig. 1

STEP 2:

- Place the layer on the floor before flipping the Center Top to reduce scratches;
- Place the Center Top (A) in the upside position;
- Attach the Side Top (B) into the Center Top (A). Using the JCBC Bolt M6 x 50 mm (1) with Flat Washer (2) and Lock Washer (3); When all hardware is installed in place, Securely tighten with Allen Key 4 (4) it together;

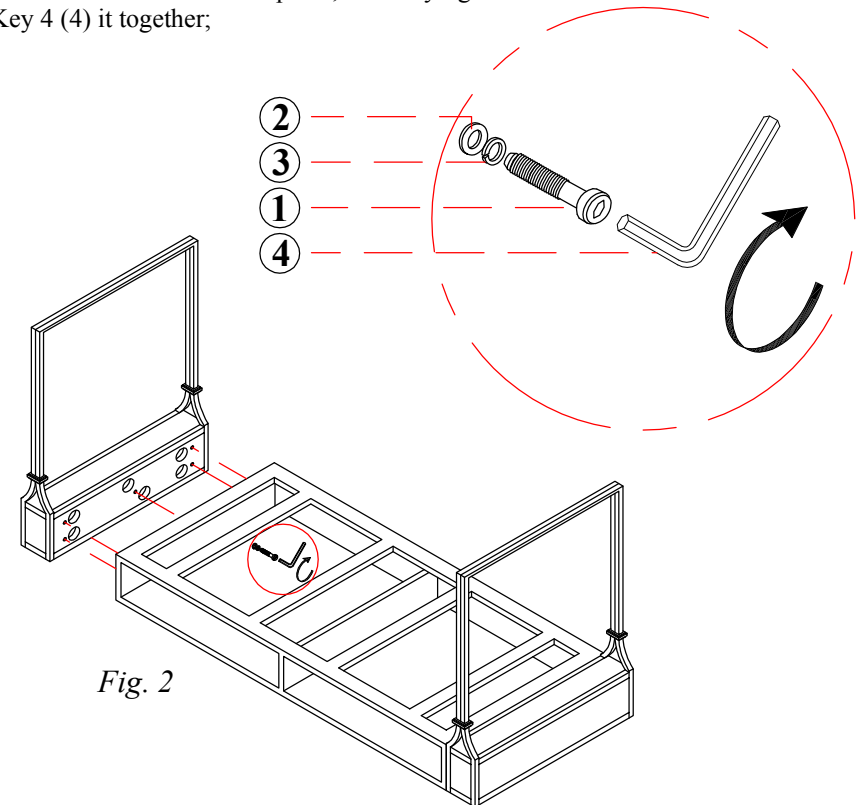
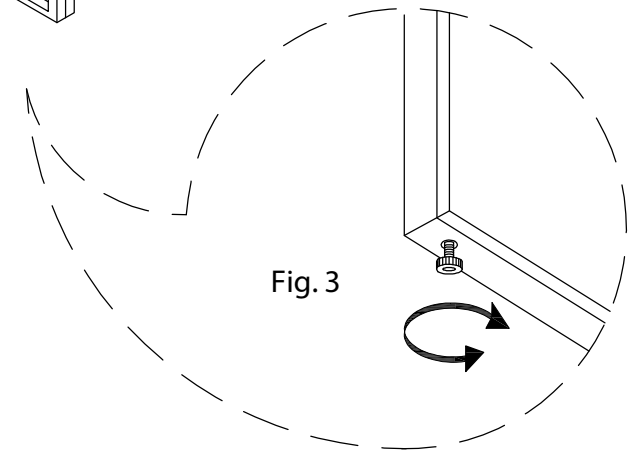
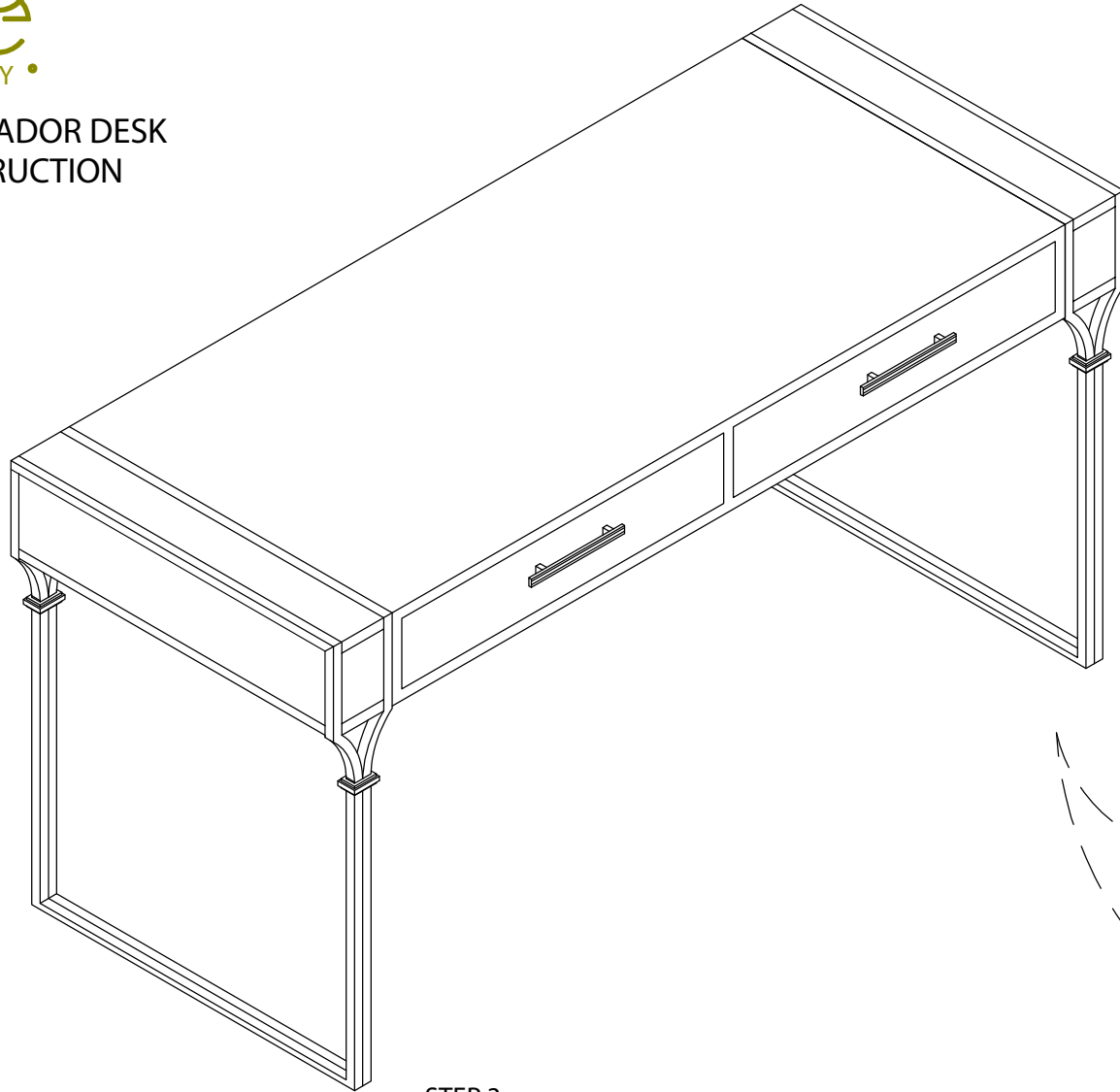


Fig. 2



SCH-166250 SALVADOR DESK ASSEMBLY INSTRUCTION



STEP 3:

- If the floor uneven the levelers located at the underside of the Leg, to do this lift Up the side that need to be elevated to provide access to the levelers, turn the leveler until adequate contact with the floor as shown Fig.3