







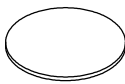

GABBY®

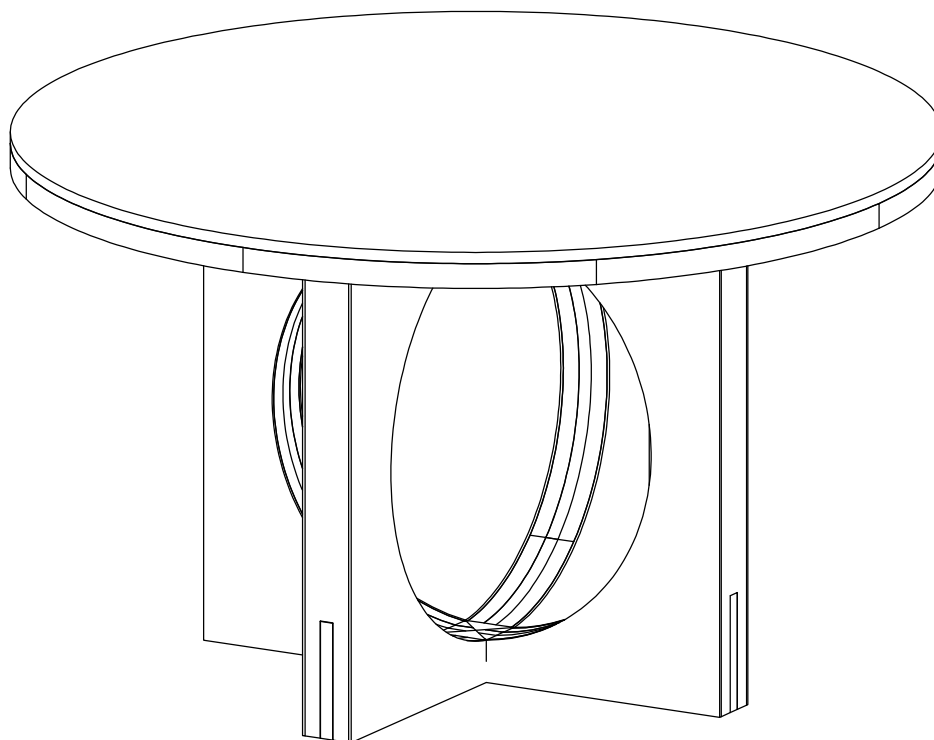
SCH-169240 SHEILA DINING TABLE ASSEMBLY INSTRUCTION

Hardware Include :

No	Part	Description	Qty
1		JCBC Bolts M6 x 30 mm	16 pcs
2		Flat Washer	16 pcs
3		Spring Washer	16 pcs
4		Allen Key 4	1 pc

Parts Include :

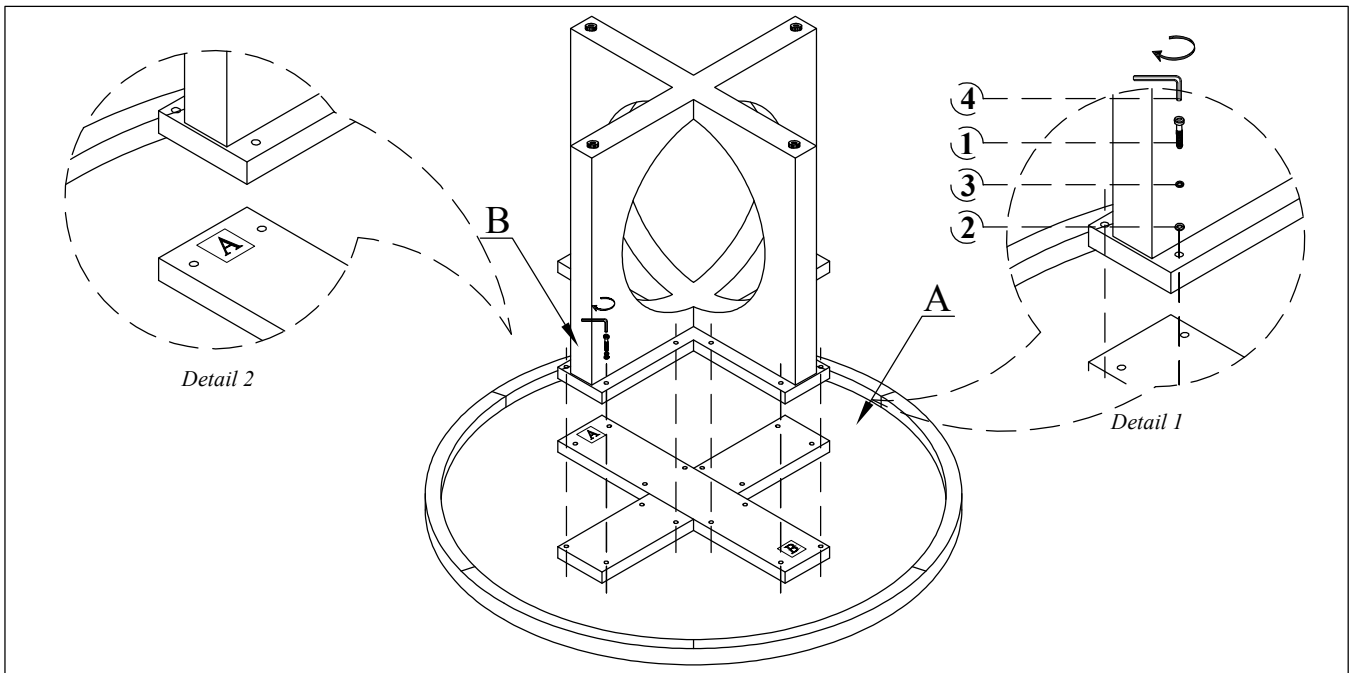
No	Description	Part	Qty
A	Table Top		1 Pc
B	Frame Top Support		1 Pc





GABBY®

SCH-169240 SHEILA DINING TABLE ASSEMBLY INSTRUCTION



HOW TO ASSEMBLY:

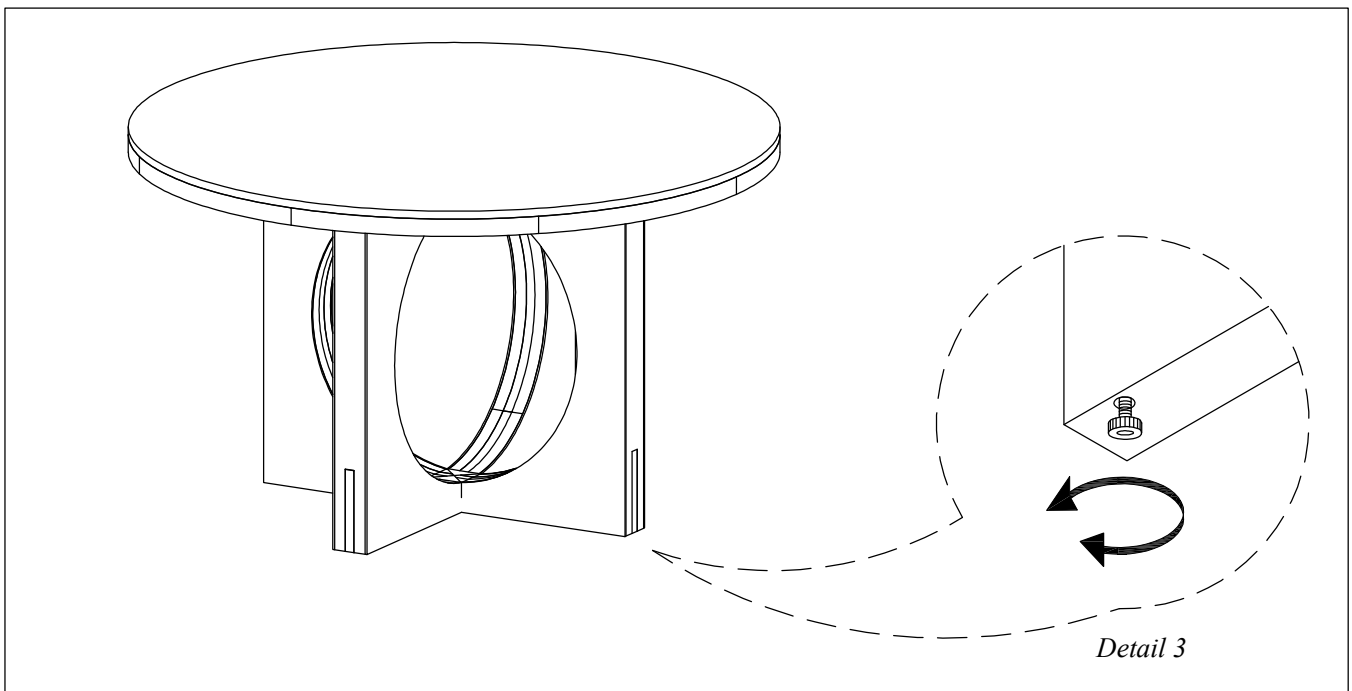
Require two persons to perform this assembly process.

STEP 1:

- Please lay Table Top (A) upside down on the floor that has been lined with thick soft cloth to protect the table top from direct contact to the floor and scratch the top.

STEP 2:

- Assemble the Frame Top Support (B) with Table Top (A) using the JBBC Bolt M6 x 30 mm (1) with Flat Washer (2) and Lock Washer (3) Securely tighten with Allen Key 4 (4) as shown *detail 1*. Attach according to the sticker instructions on the Top Support and Table Top ("A" to "A" and "B" to "B" as shown *detail 2*;



STEP 3:

- If the floor uneven the levelers located at the underside of the Leg, to do this lift Up the side that need to be elevated to provide access to the levelers, turn the leveler until adequate contact with the floor as shown *detail 3*.