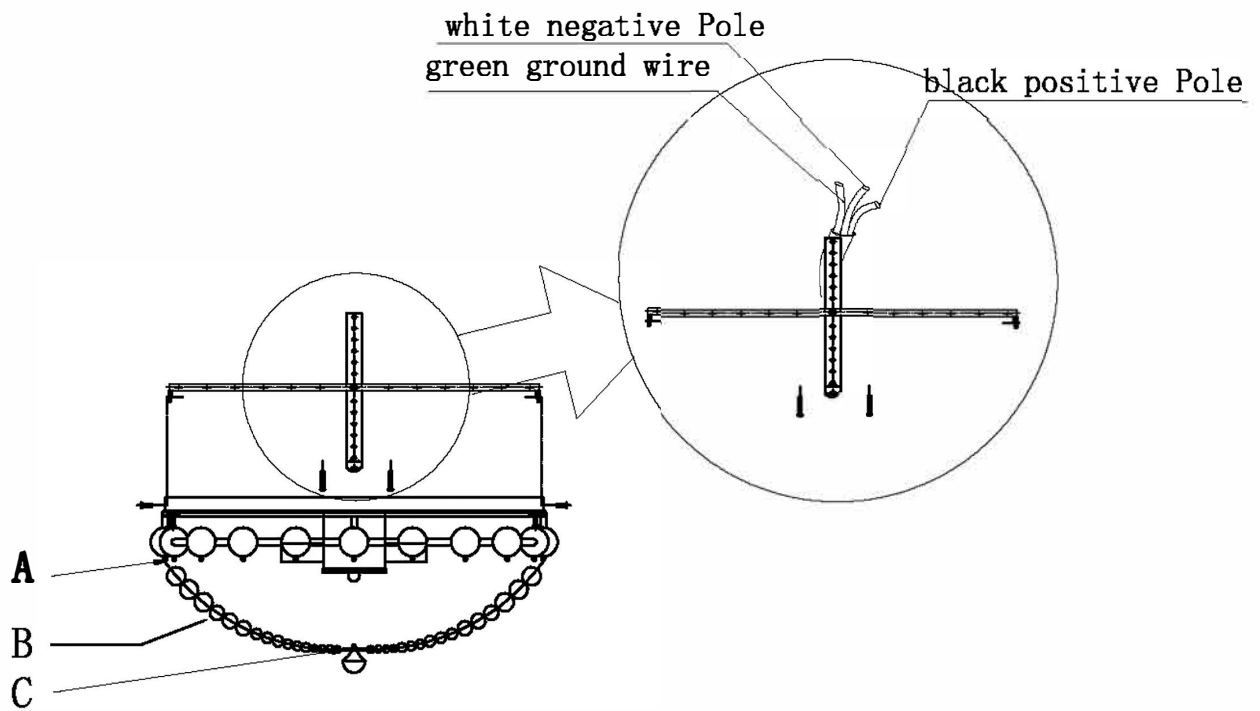




ASSEMBLY INSTRUCTIONS

Abbey Flush Mount
SCH-170400

(1) Hang Bead Strands (B) to Small Hoop (A) and Finial (C)





INSTALLATION INSTRUCTIONS

Chandeliers & Pendants

WARNING:

1. Installation of this hardwired fixture should be performed by a qualified electrician.
2. Due to risk of electrical shock, be certain that the electrical supply circuit to the fixture is turned off at the main fuse or circuit breaker before attempting any installation procedure.
3. This fixture is in compliance with UL requirements. Any tampering will void UL certification.
4. Do not exceed the maximum wattage rating.
5. Before beginning assembly, please read and follow each step in these instructions.

Parts:

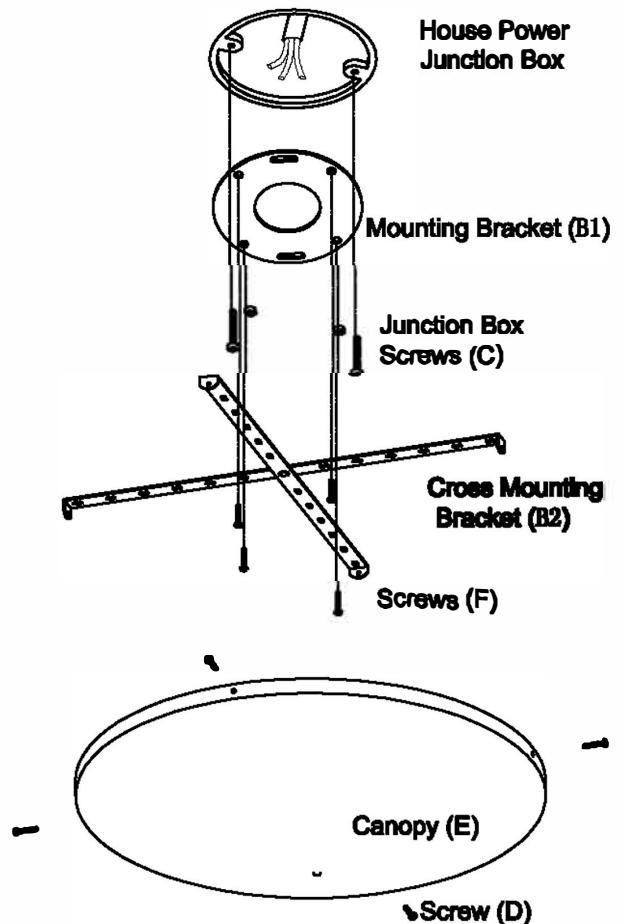
- 1x Black Positive Wire
- 1x White Negative Wire
- 1x Green/Silver Ground Wire
- 1x Cross Mounting Bracket (B2)
- 1x Mounting Bracket (B1)
- 2x Junction Box Screws (C)
- 4x Screw (D)
- 1x Canopy (E)
- 4x Screw (F)

Installation:

1. Shut off the power at the circuit breaker before attempting installation.
2. Complete assembly of the fixture as directed by the Assembly Instructions included.
3. Connect to the building wires as shown in Fig. 2. Tuck the wires inside the junction box.
4. Attach the Mounting Bracket (B1) to the Cross Mount Bracket (B2) using the Screws (F) provided
5. Attach the Mounting Bracket (B1) to the Junction Box using the Junction Box Screws (C) provided.
6. Attach the Canop (E) to Cross Mounting Bracket (B2) using Screw (D).

(continued on next page)

Fig. 1



Components may vary by model

Fig. 2

7. Restore power at the circuit breaker and test the fixture.

Installation is complete.

