



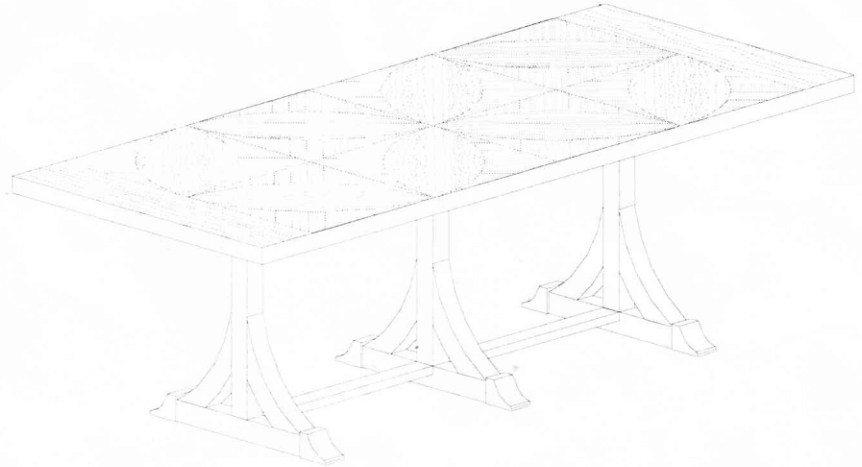
ADAMS DINING TABLE ASSEMBLY INSTRUCTION

HARDWARE INCLUDE :

1. Long KD Bolt
2. Short KD Bolt
3. Spring Washer
4. Flat Washer
5. Allen key

PARTS INCLUDE :

- A. 1 – Table Top
- B. 2 – Outer Side Pedestal
- C. 1 – Center Pedestal
- D. 2 – Stretcher

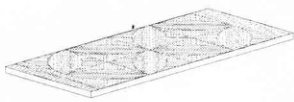
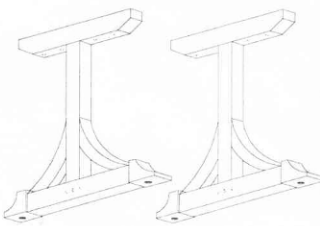
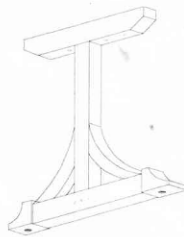



-Two person assembly suggested

HARDWARE:

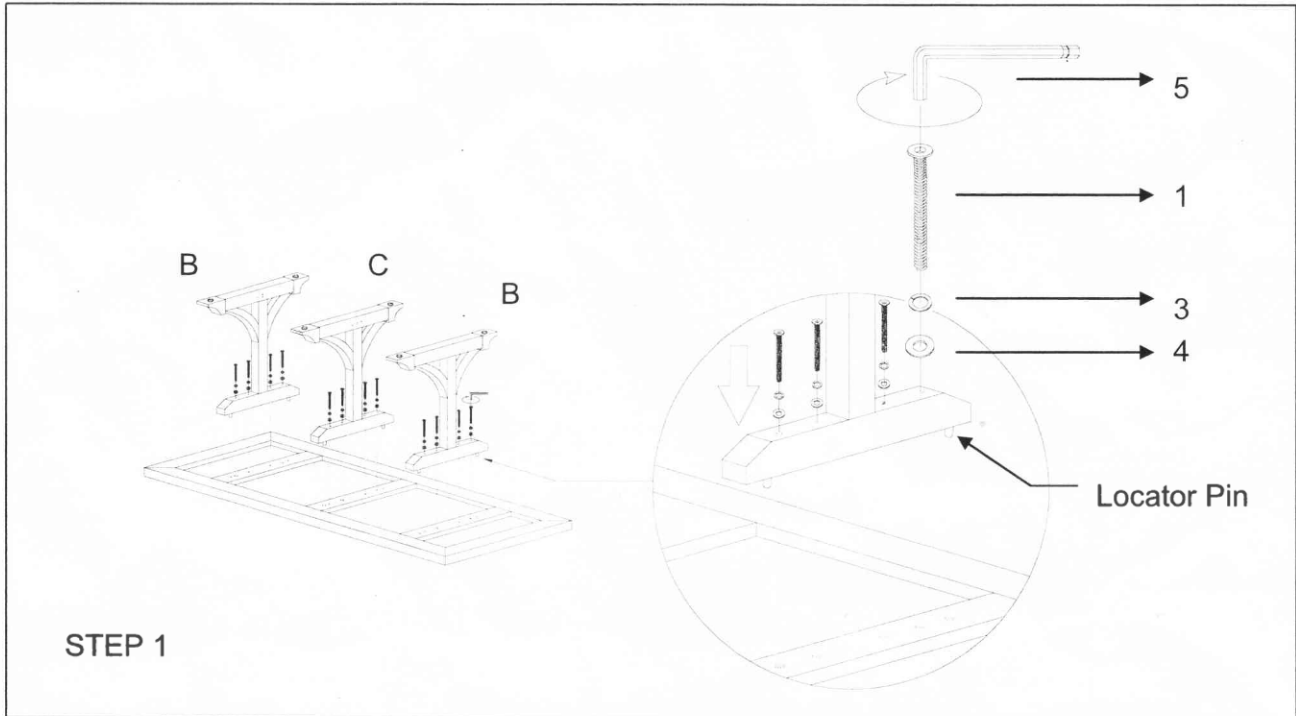
1. 12 Pcs  Long KD Bolt	2. 4 Pcs  Short KD Bolt	3. 16 Pcs  Spring Washer	4. 16 Pcs  Flat Washer	5. 1 Pc  Allen Key
--	--	---	---	---

PARTS :

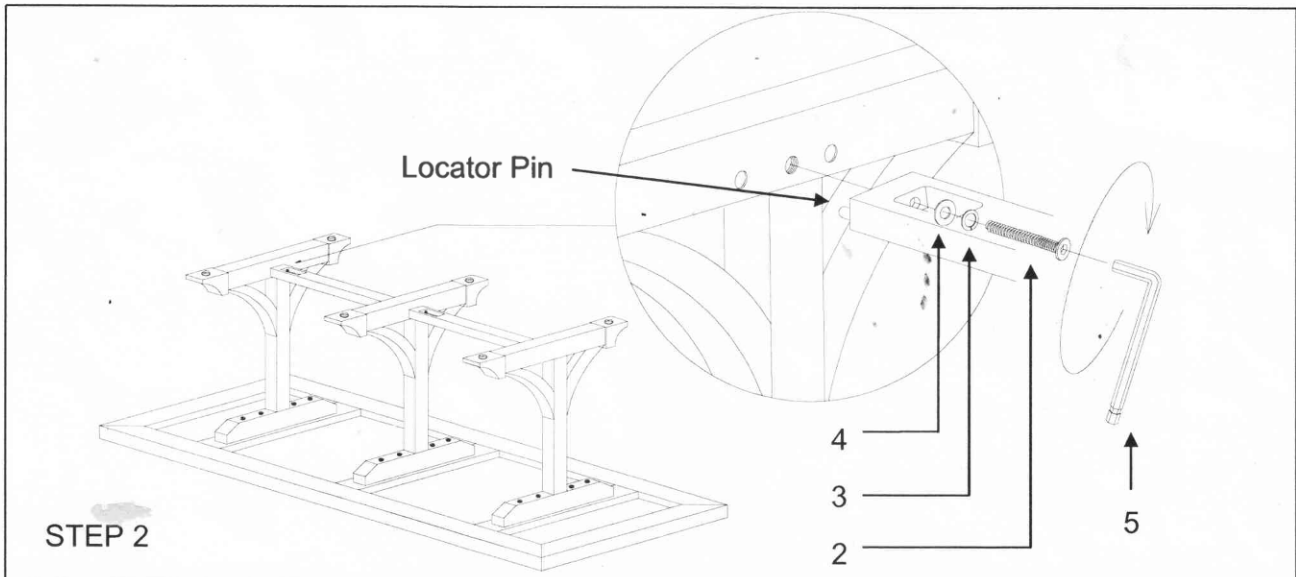
A 1 pc  Table Top	B 2 Pcs  Outer Side Pedestals	C 1 Pc  Center Pedestal	D 2 Pcs  Stretcher
--	--	---	---



ADAMS DINING TABLE ASSEMBLY INSTRUCTION



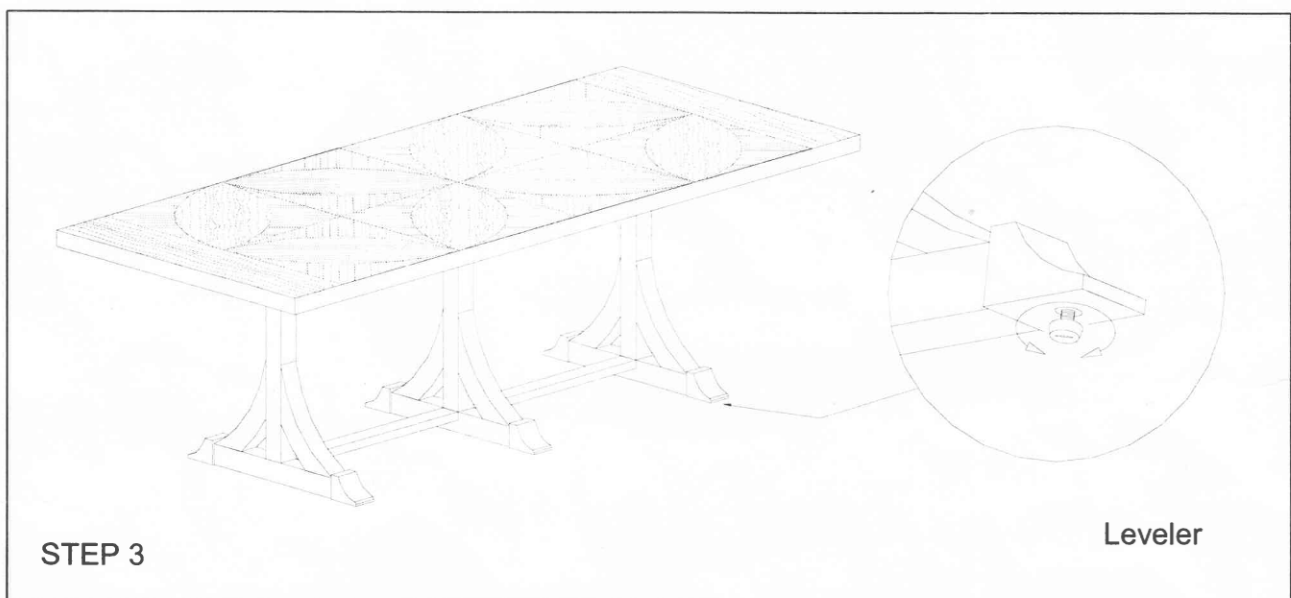
Place table top (A) on the flat soft surface. Additional soft cloth layer may require to prevent unnecessary scratches or damages on the table top during installation. Carefully place the pedestals and locate the position of each pedestals on the table top. Make sure the position are all correctly place and insert the Long KD Bolts (1), spring washer (3) and flat washer (4) through the holes of the pedestal and halfway tighten with the Allen Key (5) provided.





ADAMS DINING TABLE ASSEMBLY INSTRUCTION

Place the stretcher and locate the position in between the pedestals. Insert the Short KD Bolt (2), Spring washer (3) and flat washer (4) through the hole at the wooden stretcher and tighten by using allen key (5). The next is to tighten the KD bolt attaching the pedestals to the table top.



Carefully flip the table upright on the floor and position the dining table at the desired location. If the table feet are not level to the floor, carefully lift up the table feet and adjust the levelers located at the underneath pedestal feet until the glides adequately in contact with the floor. Due to the heavy weight it is suggested to be done with 2 persons or more.