



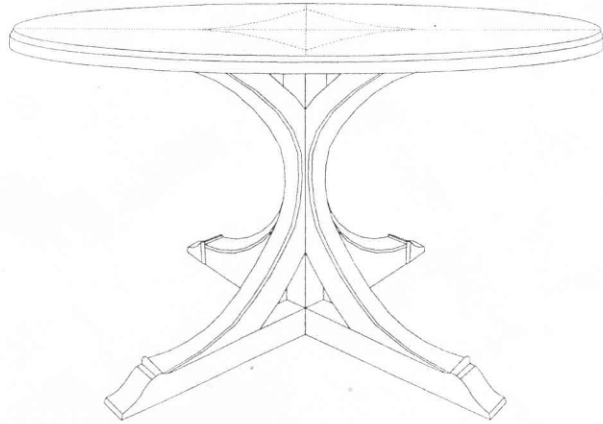
ADAMS ROUND DINING TABLE ASSEMBLY INSTRUCTION

HARDWARE INCLUDE :

1. KD Bolt
2. Spring Washer
3. Flat Washer
4. Allen key

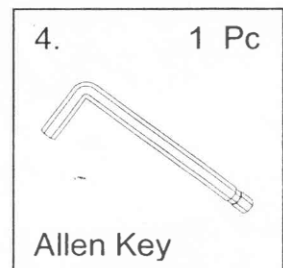
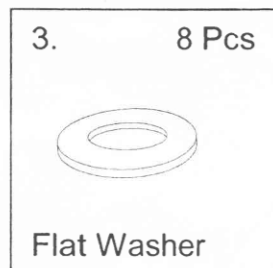
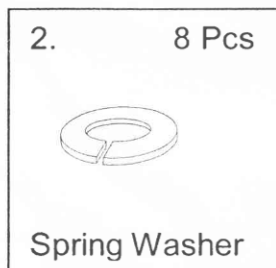
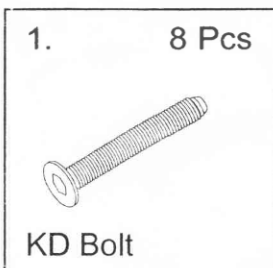
PARTS INCLUDE :

- A. 1 – Table Top
- B. 1 – Pedestal

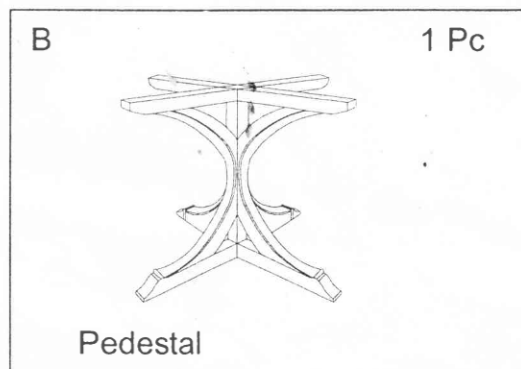
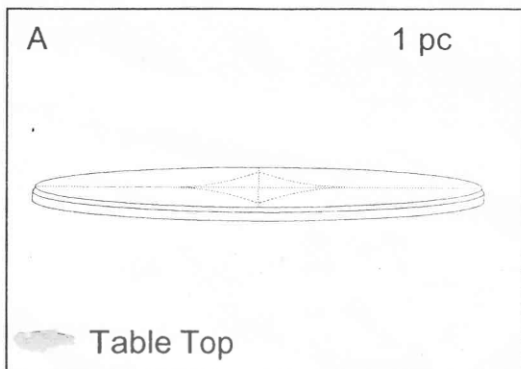


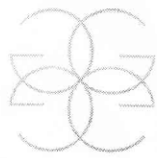
-Two person assembly suggested.

HARDWARE:



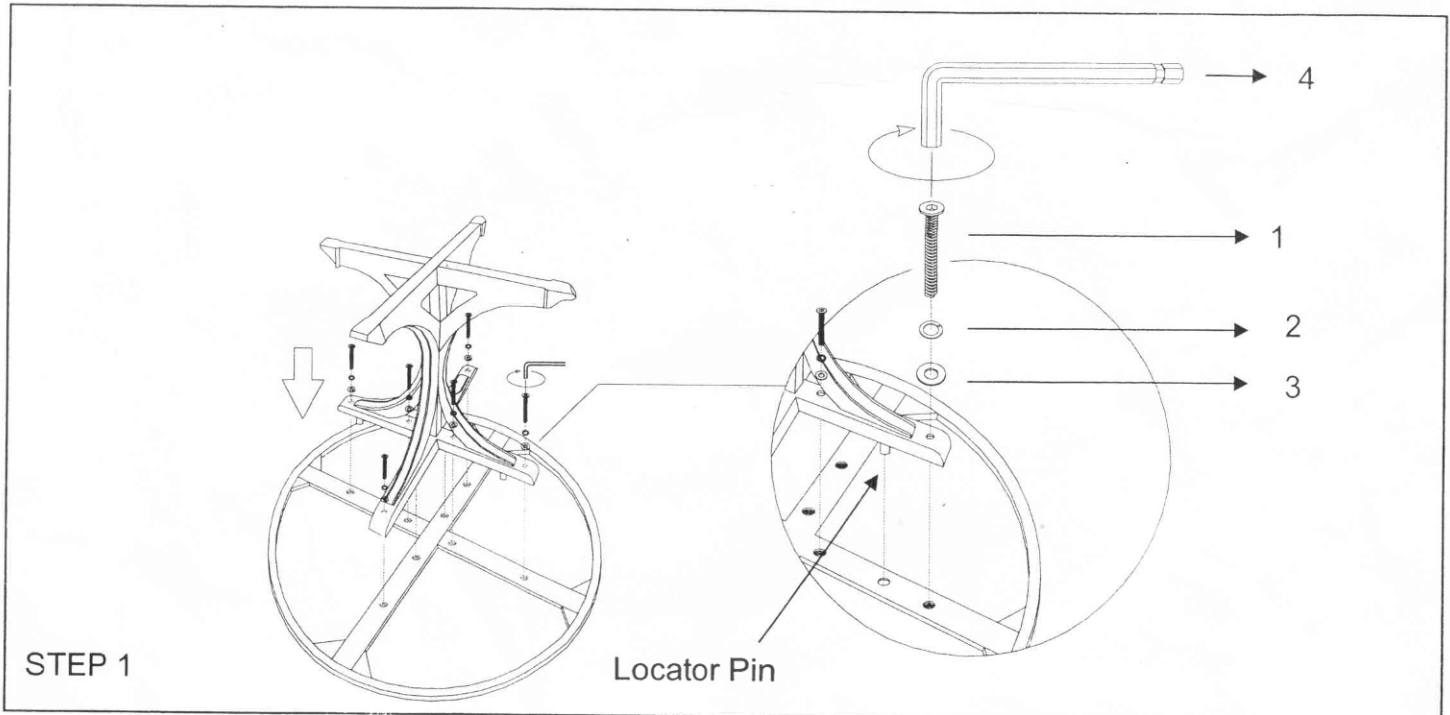
PARTS :



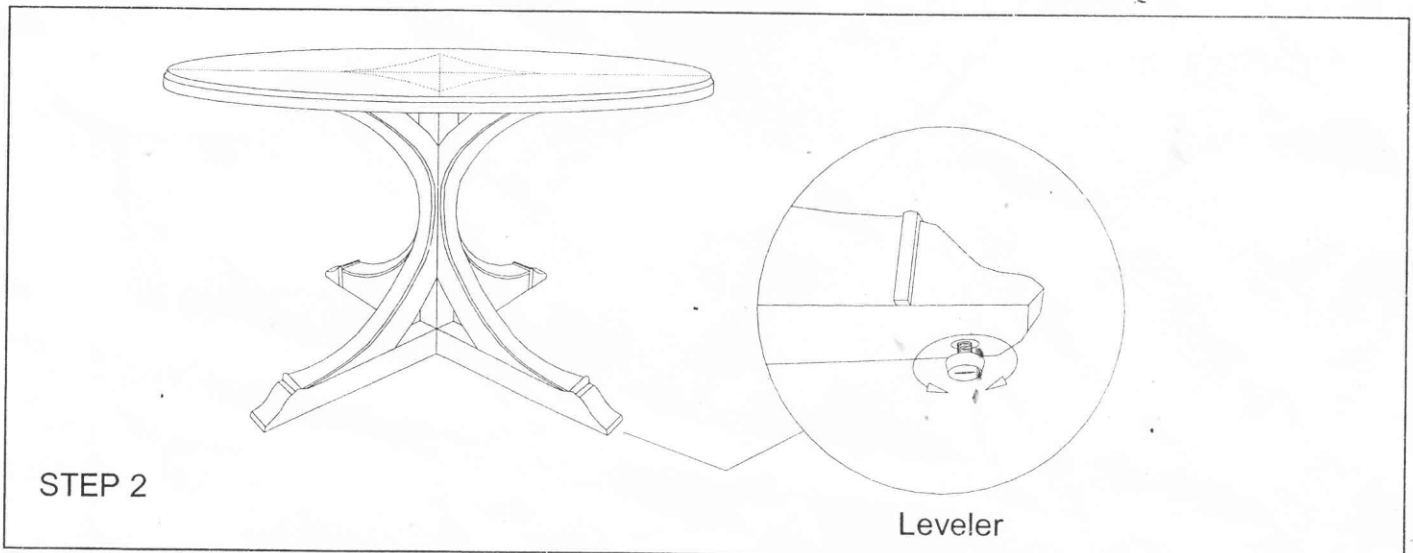


GABBY

ADAMS ROUND DINING TABLE ASSEMBLY INSTRUCTION



Place table top (A) on the flat soft surface. Additional soft cloth layer may require to prevent unnecessary scratches or damages on the table top during installation. Carefully place the legs and locate the position of each pedestals on the table top. Make sure the position are all correctly place and insert the Long KD Bolts (1), spring washer (2) and flat washer (3) through the holes of the pedestal and tighten with the Allen Key (4) provided.



Carefully flip the table upright on the floor and position the dining table at the desired location. If the table feet are not level to the floor, carefully lift up the table feet and adjust the levelers located at the underneath pedestal feet until the glides adequately in contact with the floor. Due to the heavy weight it is suggested to be done with 2 persons or more.