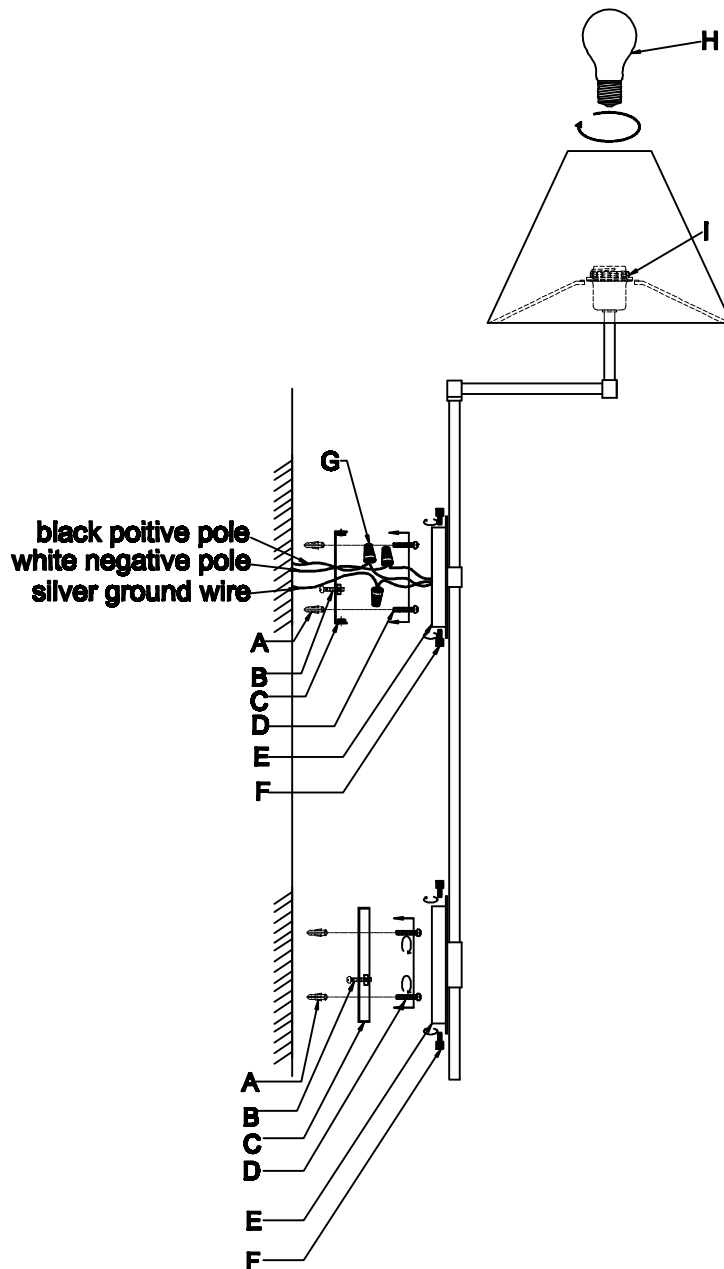




ASSEMBLY INSTRUCTIONS

SCH-175052-A Alva Sconce - Shade
SCH-175052-B Alva Sconce - Base



1. Carefully remove all the parts from the box and remove all the plastic covering.
2. Turn OFF power to the junction box where the wall lamp will be installed.
3. Attach the Mounting plate (C) to the wall by screwing Screw (D) through the mounting Plate to Nut (A).
4. Connect the Power Wire (G) and ground wire.
5. Pass Screw (B) through Wallboard (E) and tighten with Decoration Nut (F).
6. Screw a 40-watt Bulb (H) (NOT INCLUDED) into the Socket (I).