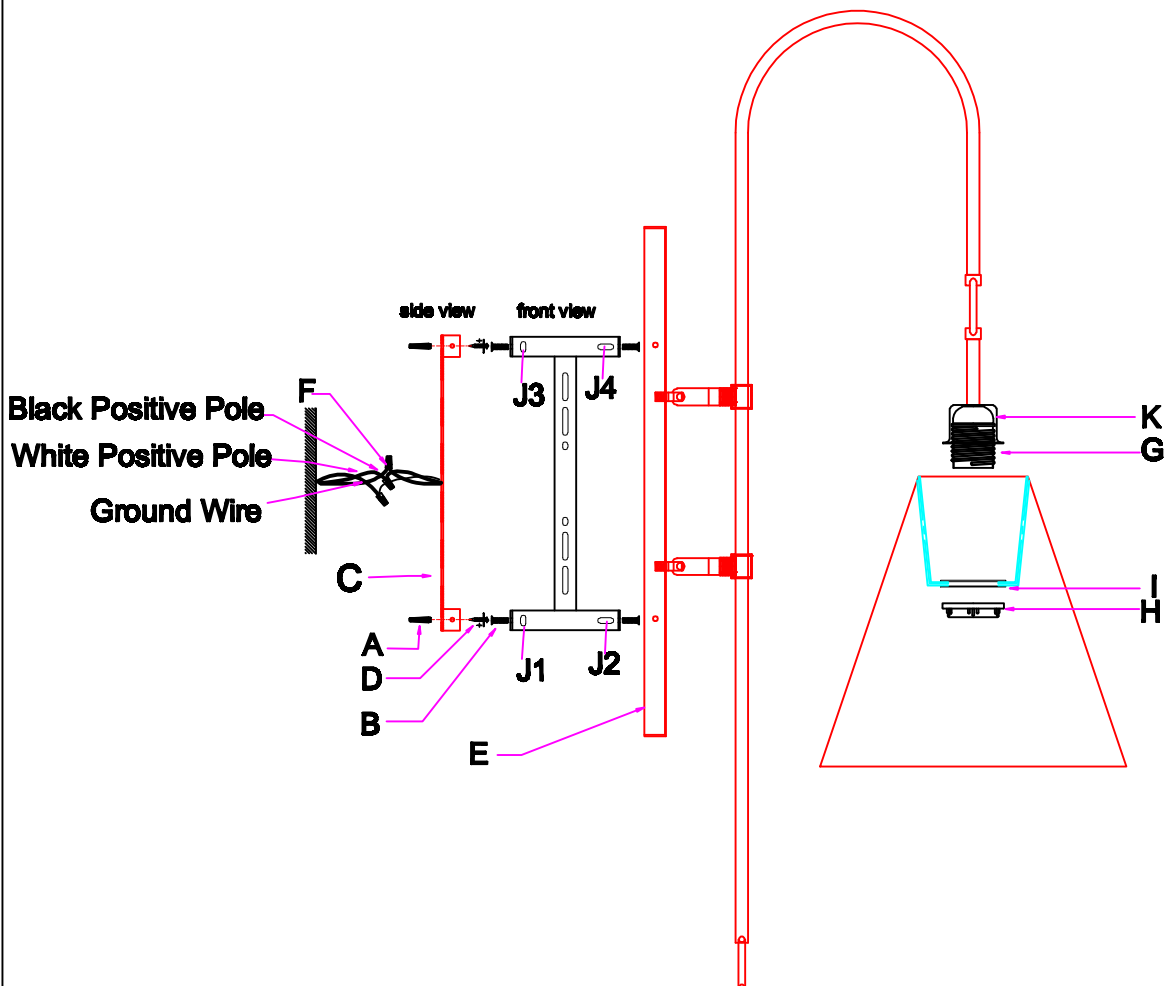




ASSEMBLY INSTRUCTIONS

Anniston Sconce-Dark
SCH-175055



1. Carefully remove all the parts from the box and remove all the plastic coverings.
2. Turn OFF power to the junction box where the wall lamp will be installed.
3. Attach the Mounting Plate (C) to the wall by screwing Tapping Screw (D), 4pcs, through the mounting plate Hole (J1,J2,J3,J4) to Tapping Screw Nut (A), 4pcs, which will be set in wall first.
4. Connect the power wire (F) and ground wire.
5. Attach the Sconce Backplate (E) to Mounting Plate (C) and tighten with Screw (B) 4pcs.
6. Remove Ring (H) from Socket (G).
7. Place shade fitter (I) through the Socket (G) and sit on Lamp Cup (K). To screw the Socket Ring (H) back to the Socket (G) tightly to hold the shade.
8. Insert bulb, NOT INCLUDED, to the socket (G).



INSTALLATION INSTRUCTIONS

Sconces

WARNING:

1. Installation of this hardwired fixture should be performed by a qualified electrician.
2. Due to risk of electric shock, be certain that the electrical supply circuit to the fixture is turned off at the main fuse or circuit breaker before attempting and during any installation procedure. "Tag Out" the breaker with a label or other tag on the shutoff breaker so that it is obvious to others that work is being done either on a jobsite, home or other location.
3. All electrical connections must be made inside the junction box.
4. This fixture is in compliance with UL requirements. Any tampering will void UL certification.
5. Do not exceed the bulb maximum wattage rating.
6. Before beginning assembly, please read and understand each step in these instructions.

Parts:

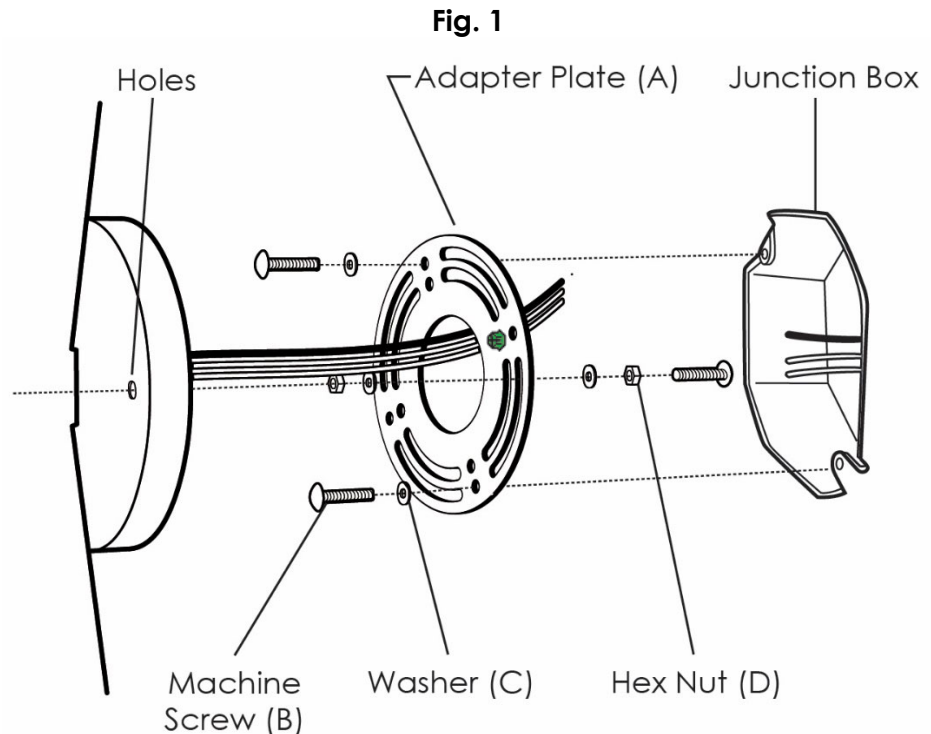
***Parts may vary by model**

- 1x Black Positive Wire
- 1x White Negative Wire
- 1x Green/Silver Ground Wire
- 1x Adapter Plate(A)
- 4x Machine Screws (B)
- 6x Washers (C)
- 4x Hex Nuts (D)
- 2x Knurl Nuts (E)

Installation:

1. Shut off the power at the circuit breaker before attempting installation.

2. Fig 1. Align 2 Machine Screws (B) through the Adapter Plate (A) and the Fixture holes. Secure each screw with 2 Washers (vvC) and 2 Hex Nuts (D) as shown.



3. Fig 2. Secure Adapter Plate (A) to the Junction Box using 2 Machine Screws (B) and 2 Washers (C) as shown.

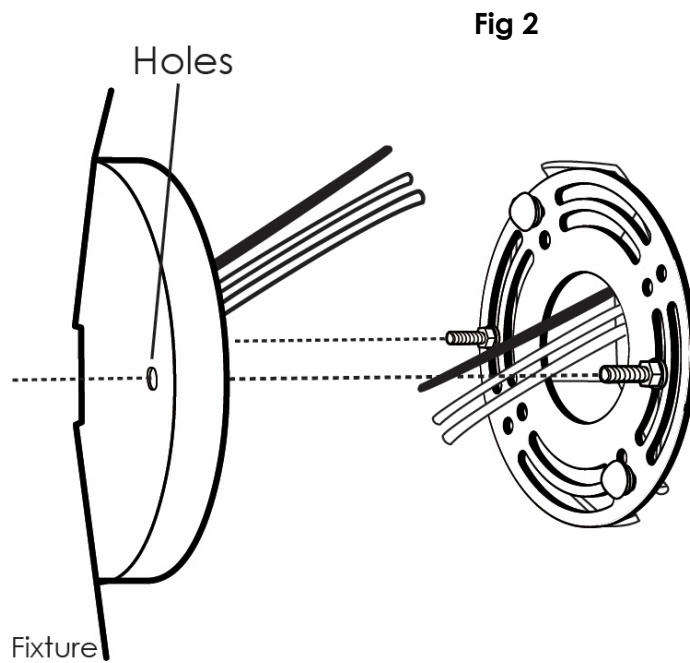
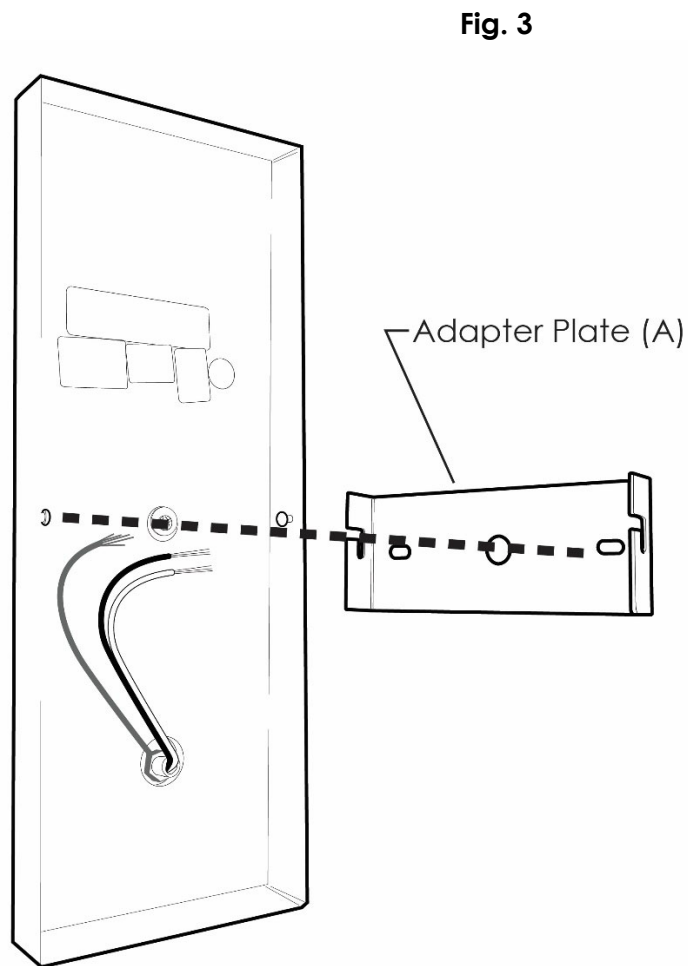
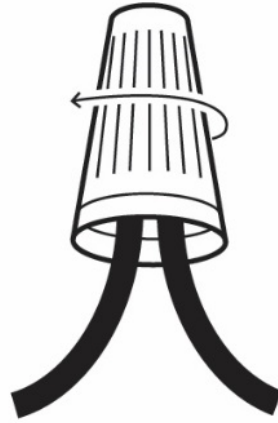


Fig. 3: Some fixtures do not include adapter plates that rotate. Attach the adapter plate to the wall and follow the steps to hardwire the fixture.



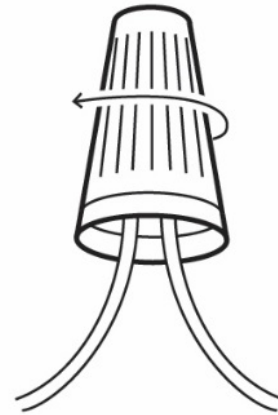
BLACK POSITIVE WIRE



Building Wire

Fixture Wire

WHITE NEGATIVE WIRE



Building Wire

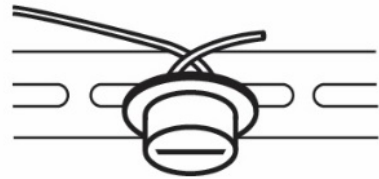
Fixture Wire

GREEN/SILVER GROUNDING WIRE



Connect to Building Wire

OR



Wrap around Green Ground Screw

4. RISK OF ELECTROCUTION. Ensure power is still shut off at the circuit breaker before attempting installation.

Connect wires as shown in Fig. 4 and tuck them inside the Junction Box. Electrical connections must be made inside the junction box to reduce the risk of fire.

Components may vary by model

Fig. 4

5. Fig 4. Slide Fixture over the Adapter Plate (A), with 2 Machine Screws (B) exiting the holes in the Fixture.

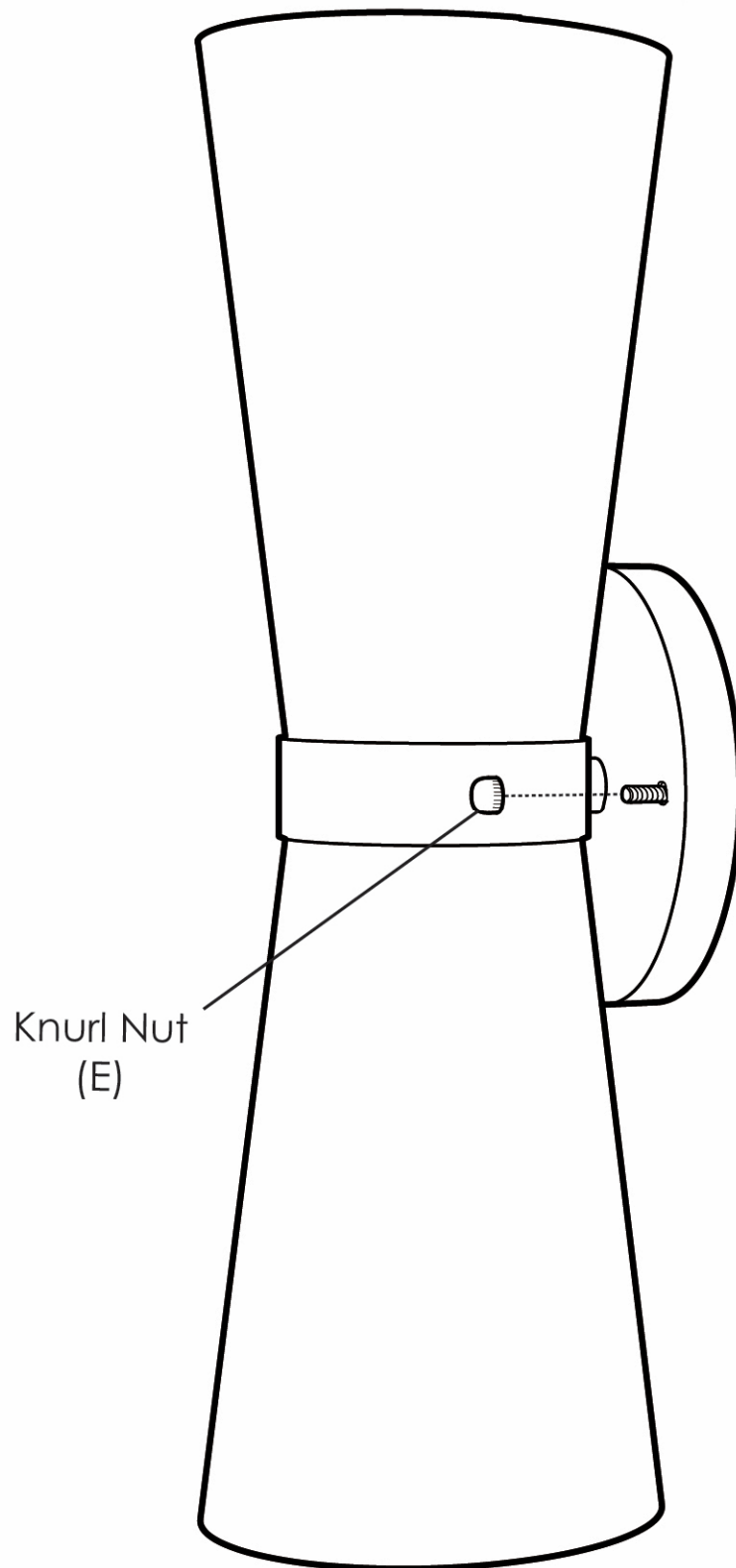
6. Hand tighten 2 Knurl Nuts (E) onto the machine screws to secure the Fixture to the wall.

Keep in mind, this assembly is not typical and sconces will vary in size and shape. The knurl nuts are required for most assemblies, unless component and style vary per our specifications.

7. Install bulbs (not included).

8. Restore power at the circuit breaker and test the fixture.

Installation is complete.



Components may vary by model