

# SUMMER CLASSICS

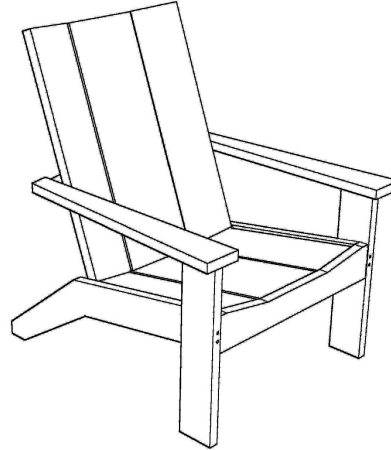
## ASHLAND ADIRONDACK ASSEMBLY INSTRUCTION

### HARDWARE INCLUDE :

1. 4 – teak dowel
2. 3 – bolt L
3. 2 – bolt S

### PARTS INCLUDE :

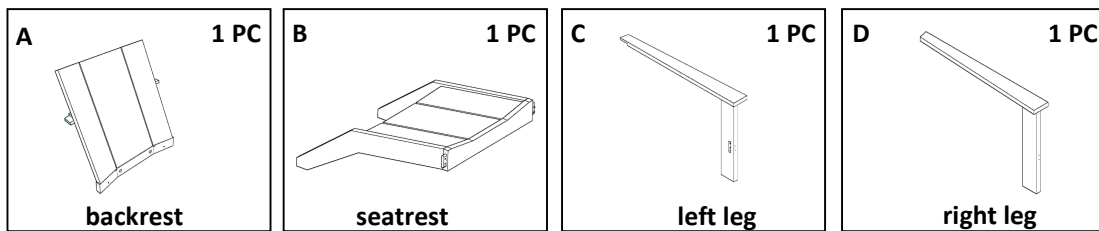
- A. 1 – Backrest
- B. 1 – Seatrest
- C. 1 – Left Leg
- D. 1 – Right Leg



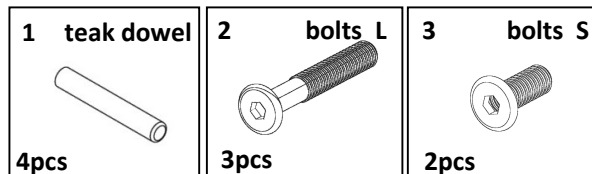
### TOOLS REQUIRED :

1. – Hammer (Rubber) - by customer
2. – Allen Key - provided
3. – Sanding for smooth edge - provided

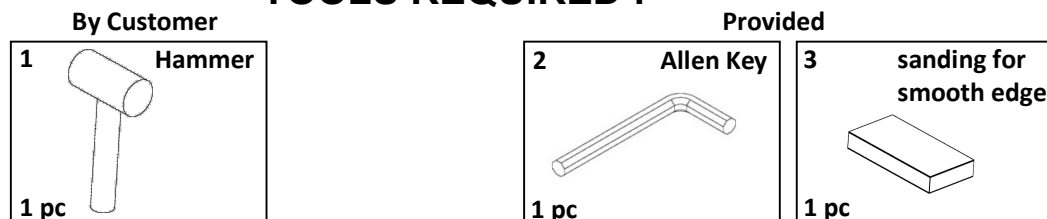
### PARTS :



### HARDWARES :



### TOOLS REQUIRED :



# SUMMER *SC* CLASSICS

## ASHLAND ADIRONDACK ASSEMBLY INSTRUCTION

