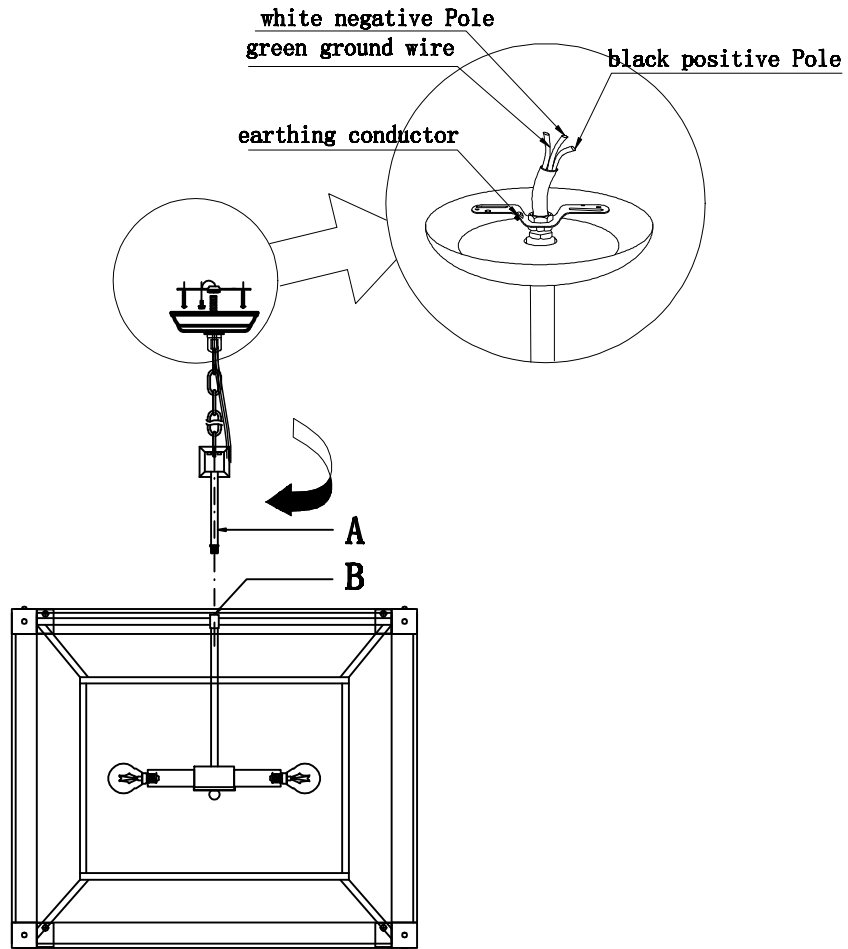




ASSEMBLY INSTRUCTIONS

Brookline chandelier
SCH-166005

- (1) Screw (A) center pole to (B) chandelier base.
- (2) Thread wire through chain every 3 links as shown.



ASSEMBLY INSTRUCTIONS

Brookline chandelier
SCH-166005

- (1) Screw (A) center pole to (B) chandelier base.
- (2) Thread wire through chain every 3 links as shown.

