





ASSEMBLY INSTRUCTIONS

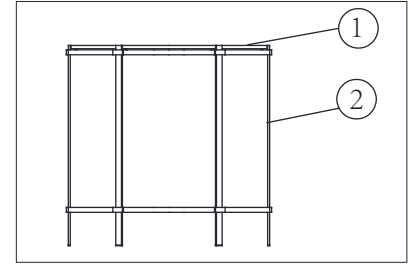
Clarissa side table
SCH-161125

TOOLS INCLUDE:

NO.	Hardware List	QTY
A	Glass pad 	6pcs
B	Glider pad 	6pc

PARTS INCLUDE:

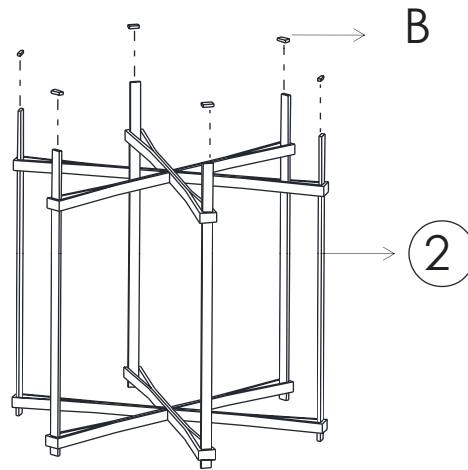
1- glass top x1pc
2- base x1pc



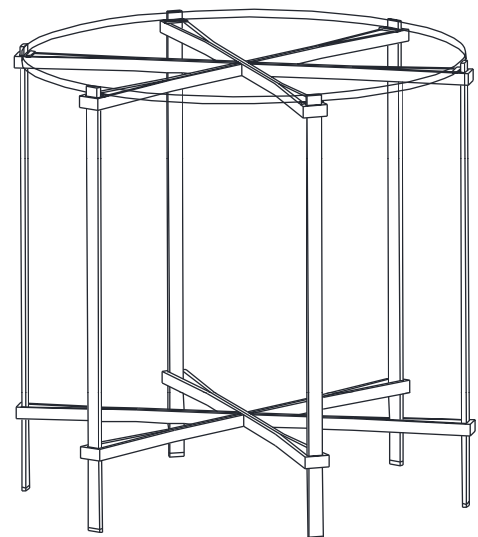
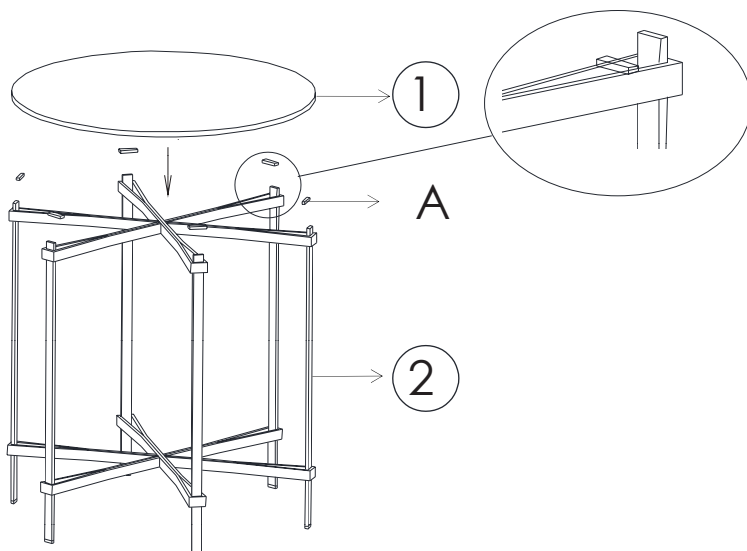
Prior to assembly, unwrap all the parts and components on a carpeted or non-abrasive surface. We provided 4pcs extra Glider pads as replacement, you can use them when needed.

Step 1: Unwrap the base and the table top from the packaging.

Plase the base (2) upside down, strick 6pcs glider pad (B) on the feet.



Step 2: Plase 6pcs glass pad (A) on the base (2). Then put the glass top (1) on the glass pad carefully.



We hope you enjoy this Gabby purchase. Shown: Clarissa side table by

