

SUMMER *SC* CLASSICS

DINING PEDESTAL BASE ASSEMBLY INSTRUCTION

HARDWARE INCLUDE :

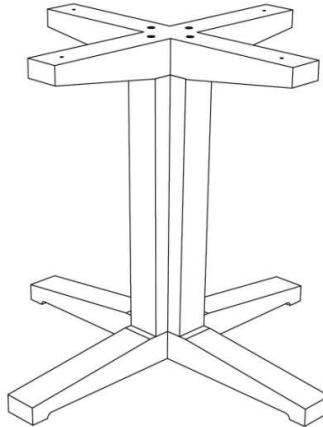
1. 8 – bolts

PARTS INCLUDE :

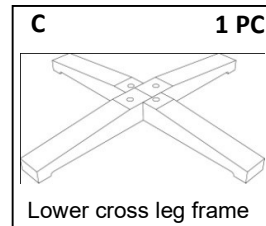
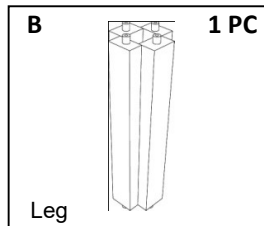
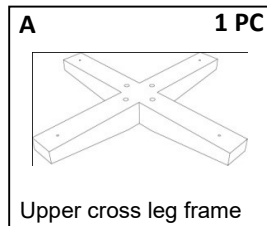
- A. 1 – Upper cross leg frame
- B. 1 – Leg
- C. 1 – Lower cross leg frame

TOOLS REQUIRED :

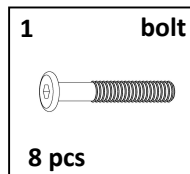
1. – Allen key - provided



PARTS :

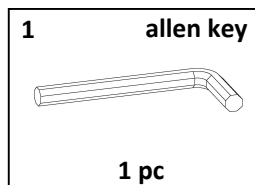


HARDWARES :

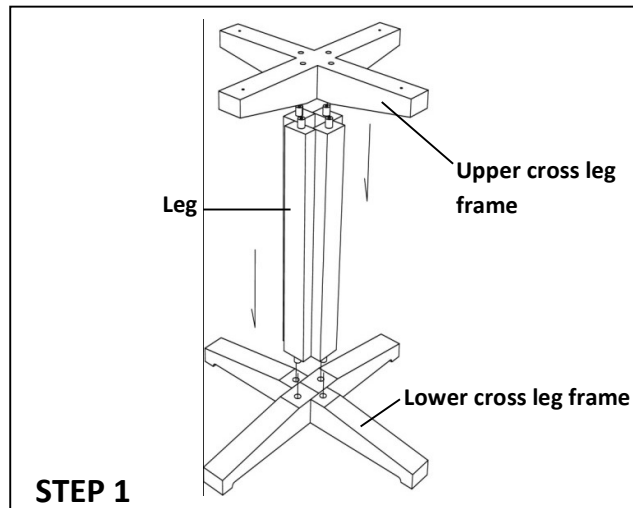


TOOLS REQUIRED :

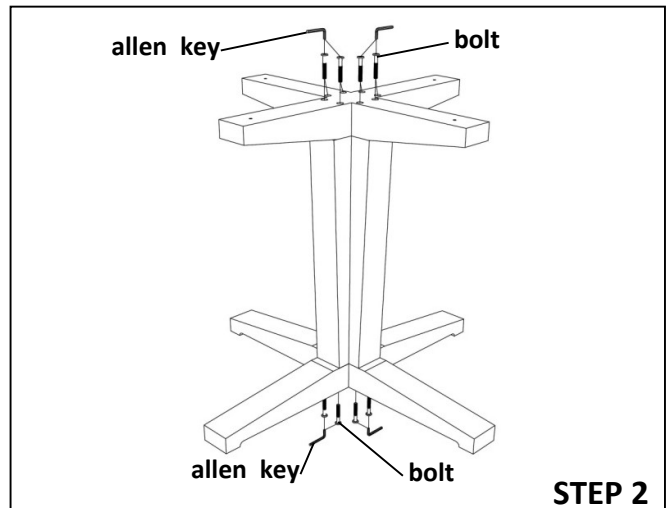
Provided



**DINING PEDESTAL BASE
ASSEMBLY INSTRUCTION**



Place Lower cross leg frame on flat floor ,
insert leg tennons to Lower cross leg frame
mortise holes & Upper cross leg frame mortise
holes.



Secure the Upper cross leg frame , Leg , & Lower cross
leg frame with bolts using Allen key.