

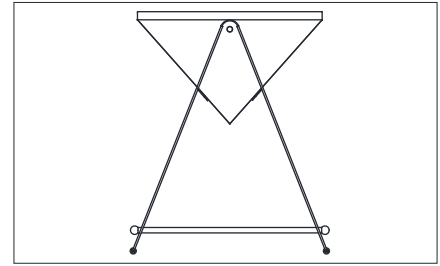


ASSEMBLY INSTRUCTIONS

Cornet side table
SCH-170115

TOOLS INCLUDE:

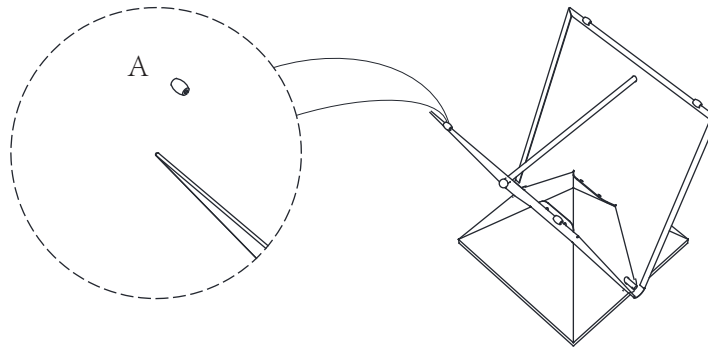
NO.	Hardware List	QTY
A	pad 	4 pcs



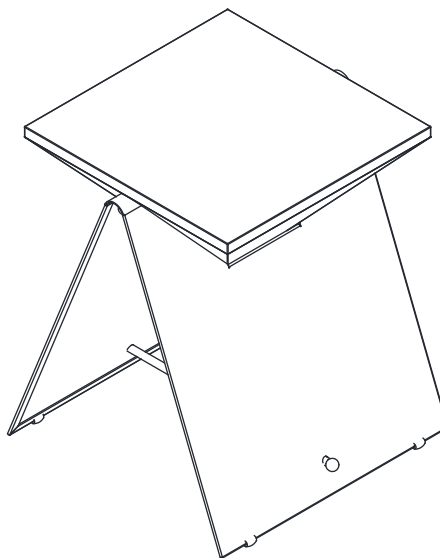
Prior to assembly, unwrap all the parts and components on a carpeted or non-abrasive surface.

Step 1: Unwrap the side table from the packaging.

Please turn over the table. Then place the pad (A) on the metal leg.



Step 2: Place 4 pads in table and turn the table over.



We hope you enjoy this Gabby purchase. Shown: Cornet side table by

