

S U M M E R *SC* C L A S S I C S

CROQUET BAR TABLE ASSEMBLY INSTRUCTION

HARDWARE INCLUDE :

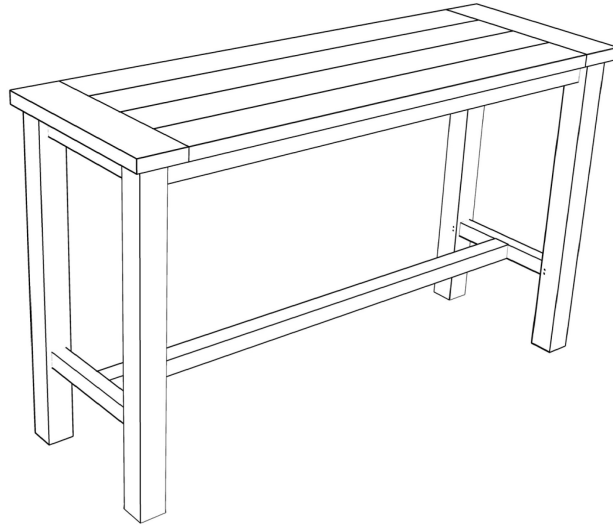
1. 8 – teak dowel
2. 8 – washer
3. 8 – spring washer

PARTS INCLUDE :

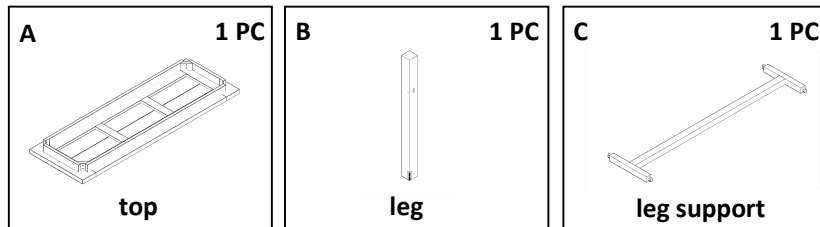
- A. 1 – Top
- B. 4 – Leg
- C. 1 – Leg support

TOOLS REQUIRED :

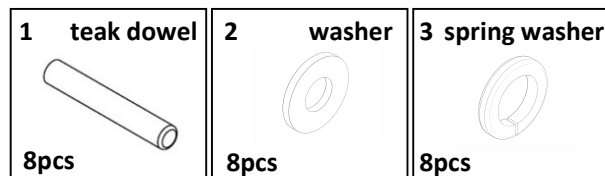
1. – Hammer (Rubber) - by customer
2. – Spanner - provided
3. – Sanding for smooth edge - provided



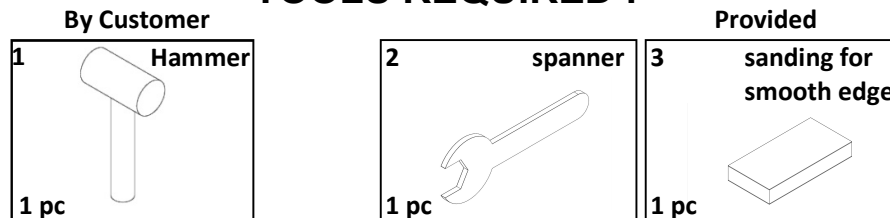
PARTS :



HARDWARES :



TOOLS REQUIRED :



SUMMER CLASSICS

CROQUET BAR TABLE ASSEMBLY INSTRUCTION

