

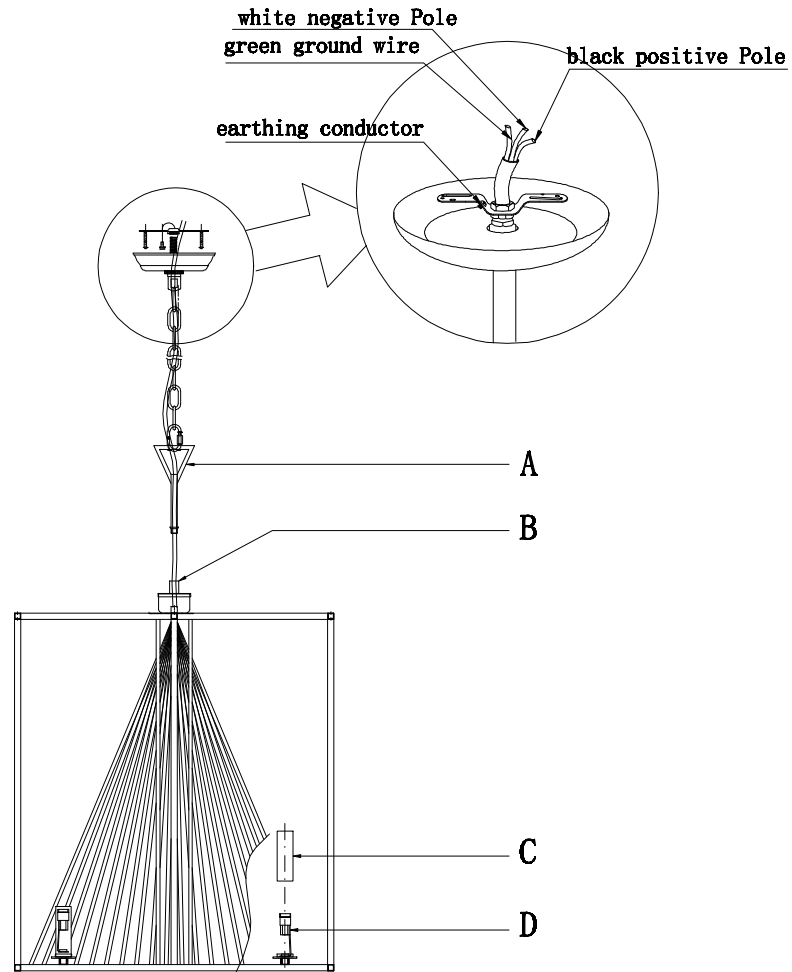


ASSEMBLY INSTRUCTIONS

Elliot Chandelier- Bronze

SCH-169055

- (1) Screw Rod (A) to the Top (B).
- (2) Cover the Socket (D) by Candlesleeve (C).
- (3) Thread wire through chain every 3 links as shown.



ASSEMBLY INSTRUCTIONS

Elliot Chandelier- Bronze

SCH-169055

- (1) Screw Rod (A) to the Top (B).
- (2) Cover the Socket (D) by Candlesleeve (C).
- (3) Thread wire through chain every 3 links as shown.

