

SUMMER *SC* CLASSICS

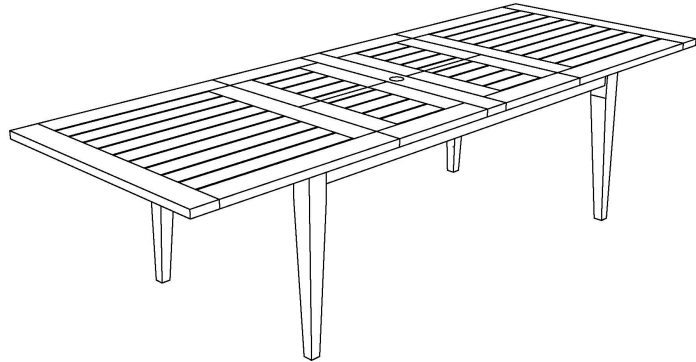
FARM EXTENSION TABLE ASSEMBLY INSTRUCTION

HARDWARE INCLUDE :

1. 8 – flat washers
2. 8 – spring washers
3. 8 – nuts

PARTS INCLUDE :

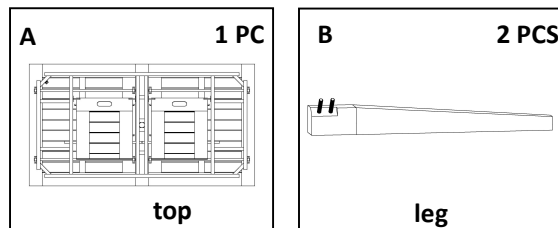
- A. 1 – Top
- B. 4 – Legs



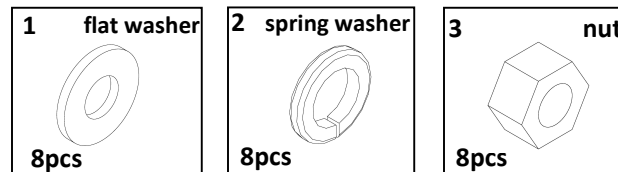
TOOLS REQUIRED :

1. – Spanner - provided

PARTS :

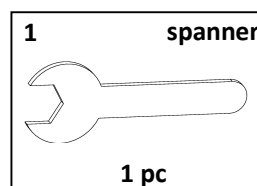


HARDWARES :



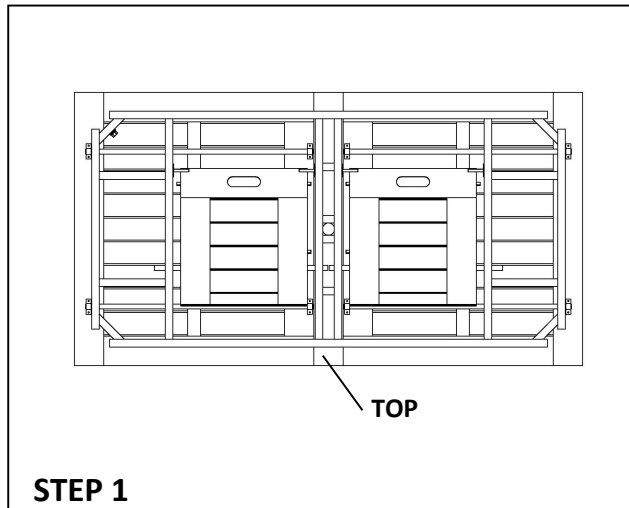
TOOLS REQUIRED :

Provided

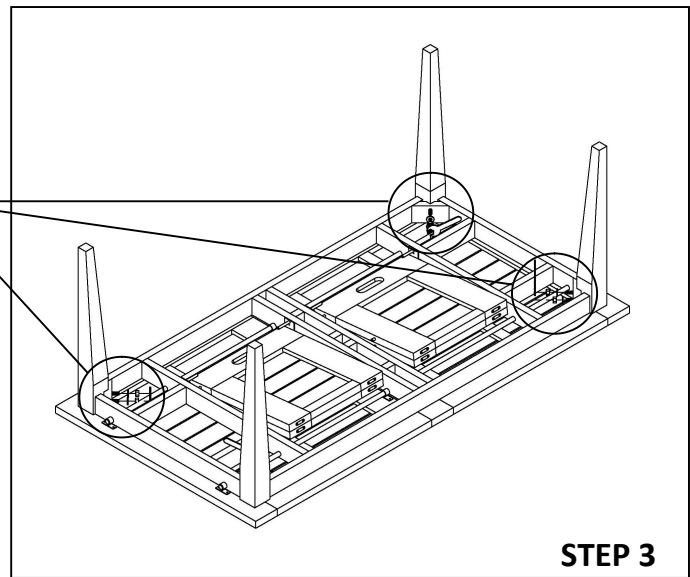
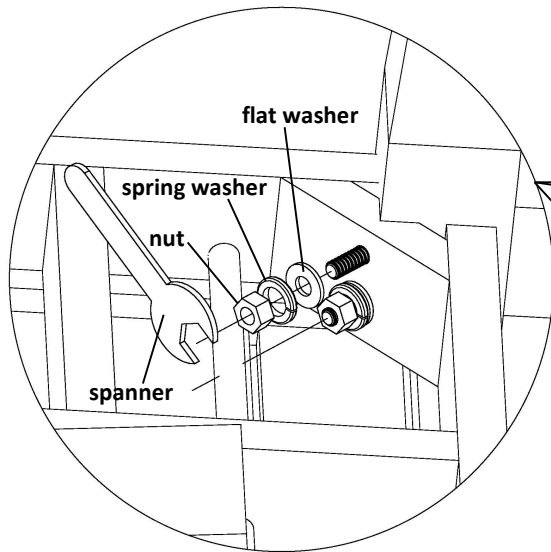
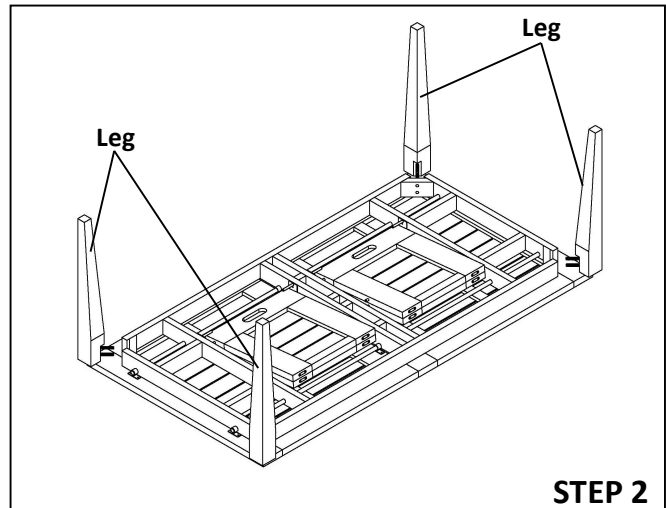


SUMMER *SC* CLASSICS

FARM EXTENSION TABLE ASSEMBLY INSTRUCTION



2 person needed to assemble. Place TOP on flat floor , place leg hanger bolt to bracket.

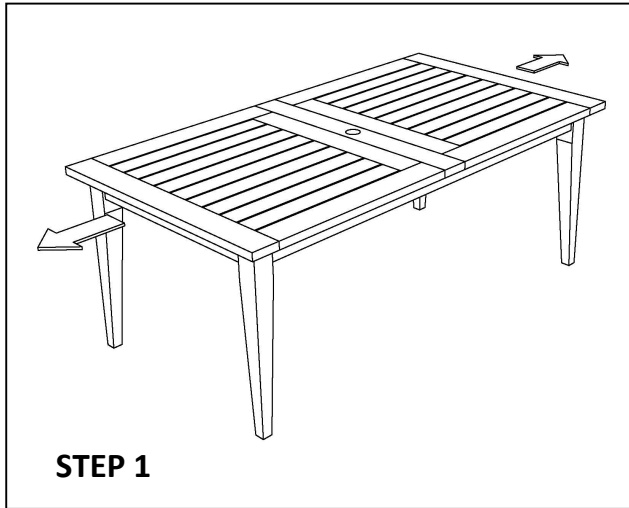


Secure the legs with flat washers, spring washers & nuts using spanner.

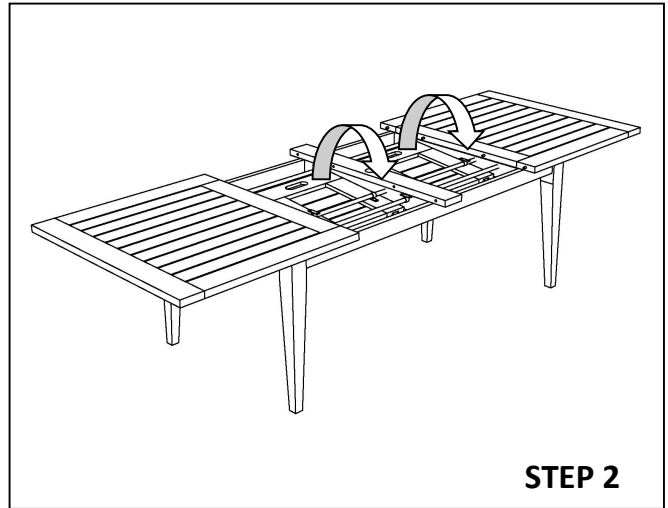
SUMMER *SC* CLASSICS

EXTENSION FARM TABLE

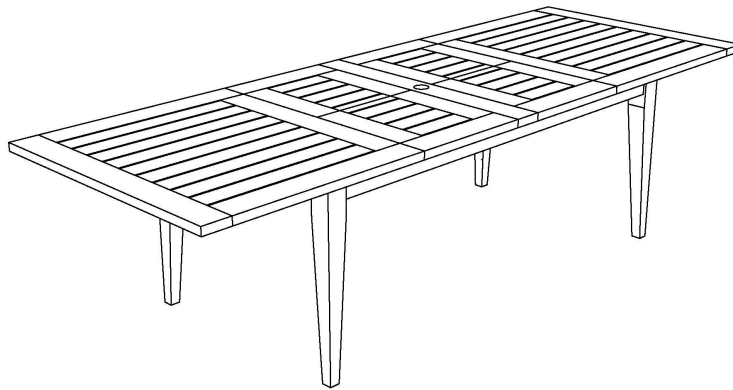
How to open a leaf table



Pull out the leaf.



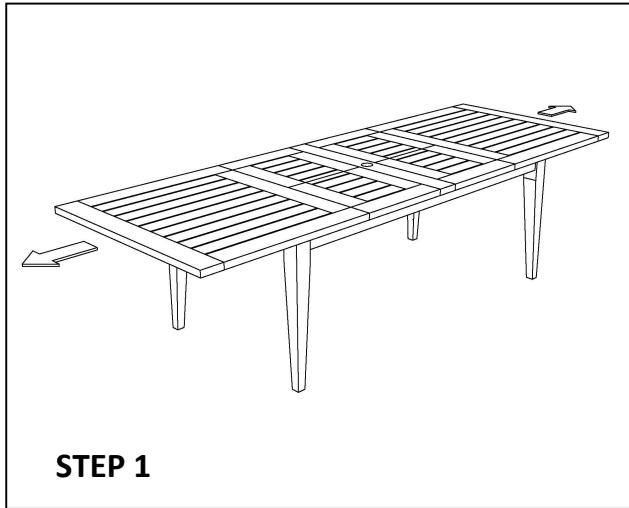
Turn up the leaf.



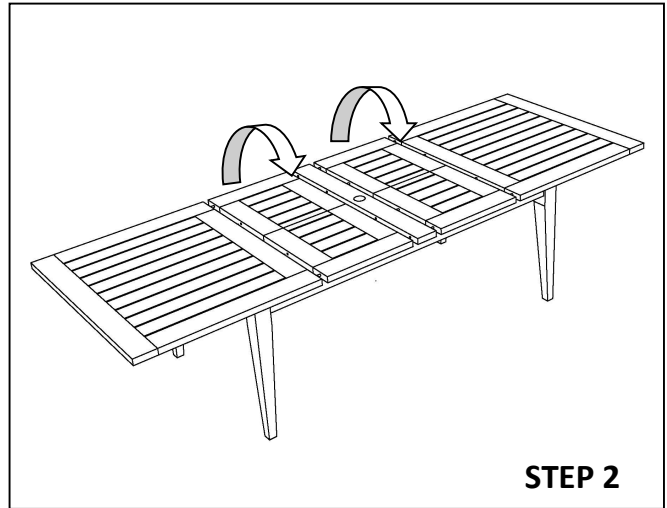
SUMMER *SC* CLASSICS

EXTENSION FARM TABLE

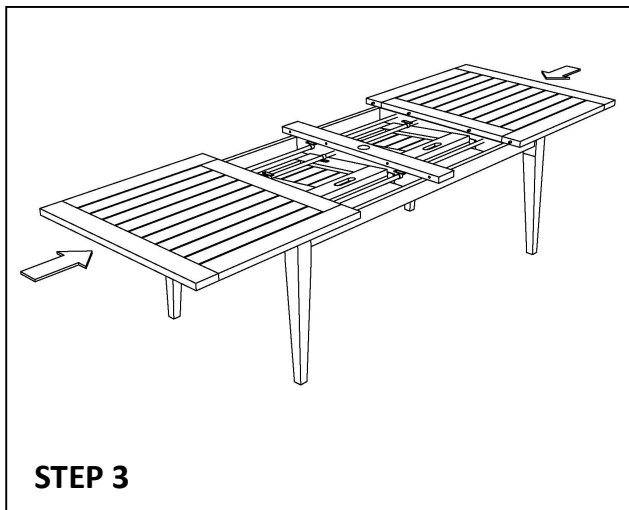
How to close a leaf table



Pull out the leaf.



Lift up the butterfly leaf.



Push the table leaf inside.

