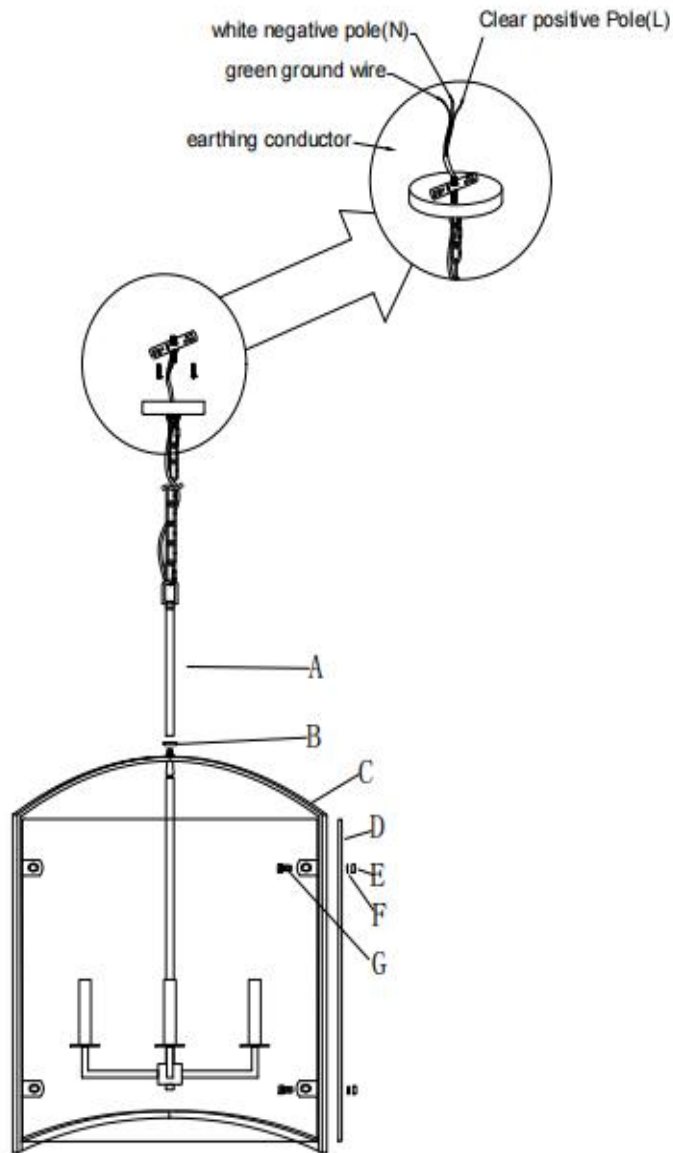




ASSEMBLY INSTRUCTIONS

Fleur Chandelier

SCH-170445



1. Carefully remove all lamp parts from the box .
2. Put the Cap (B) onto lamp body (C), Then Screw the Tube (A) into Body (C) to tighten.
3. Towards the Glass Panel (D) to the body , using the Nut (G) through the hole in glass (D)
Put the plastic washer (F) onto the Nut (G), Then screw them tightly .
4. Insert the Bulb into socket , Not included.