



## ASSEMBLY INSTRUCTIONS

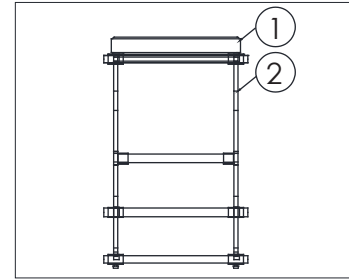
Flynn counter stool  
SCH-160160

### TOOLS INCLUDE:

No need use any tools

### PARTS INCLUDE:

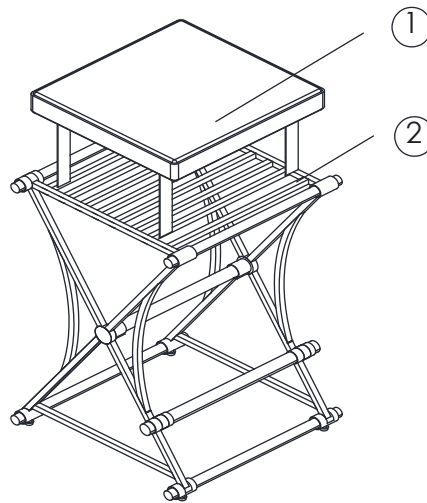
1-soft cushion x 1pc  
2-base x 1pc



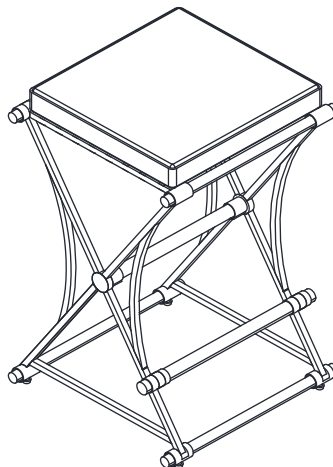
Prior to assembly, unwrap all the parts and components on a carpeted or non-abrasive surface.

Step 1: Unwrap the seat frame and the soft cushion from the packaging.

Place the seat frame (2) on the floor, place the soft cushion (1) on the seat frame (2) carefully. then stick the velcro straps together on the bottom of seat frame.



Step 2:



We hope you enjoy this Gabby purchase. Shown: Flynn counter stool by

