



ASSEMBLY INSTRUCTIONS

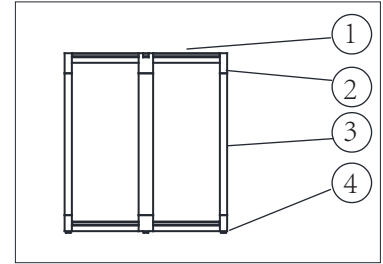
Ginny side table
SCH-163275

TOOLS INCLUDE:

NO.	Hardware List	QTY
A	Hex head bolt 1/4"x19MM	8pcs
B	Allen wrench 4MM	1pc
C	Glass pad	8pcs

PARTS INCLUDE:

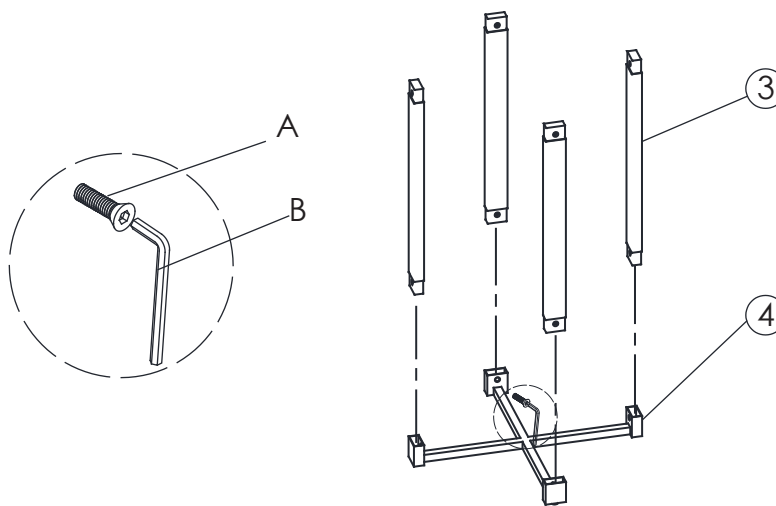
- 1-glass top x2pcs
- 2- upper frame x1pc
- 3- leg x4pcs
- 4- bottom frame x1pc



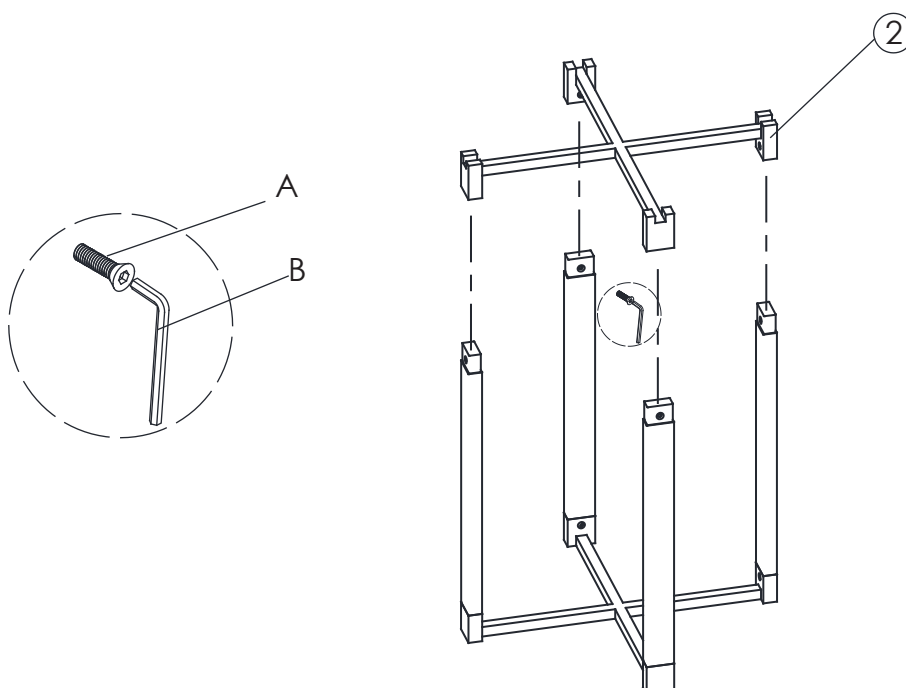
Prior to assembly, unwrap all the parts and components on a carpeted or non-abrasive surface.

Step 1: Unwrap the table parts top from the packaging.

Insert the leg (3) to the bottom frame (4) with allen wrench (B) to hex head bolts (A), but not too tight.



Step 2: Attach upper frame (2) to legs with allen wrench (B) to hex head bolts (A), but not too tight.

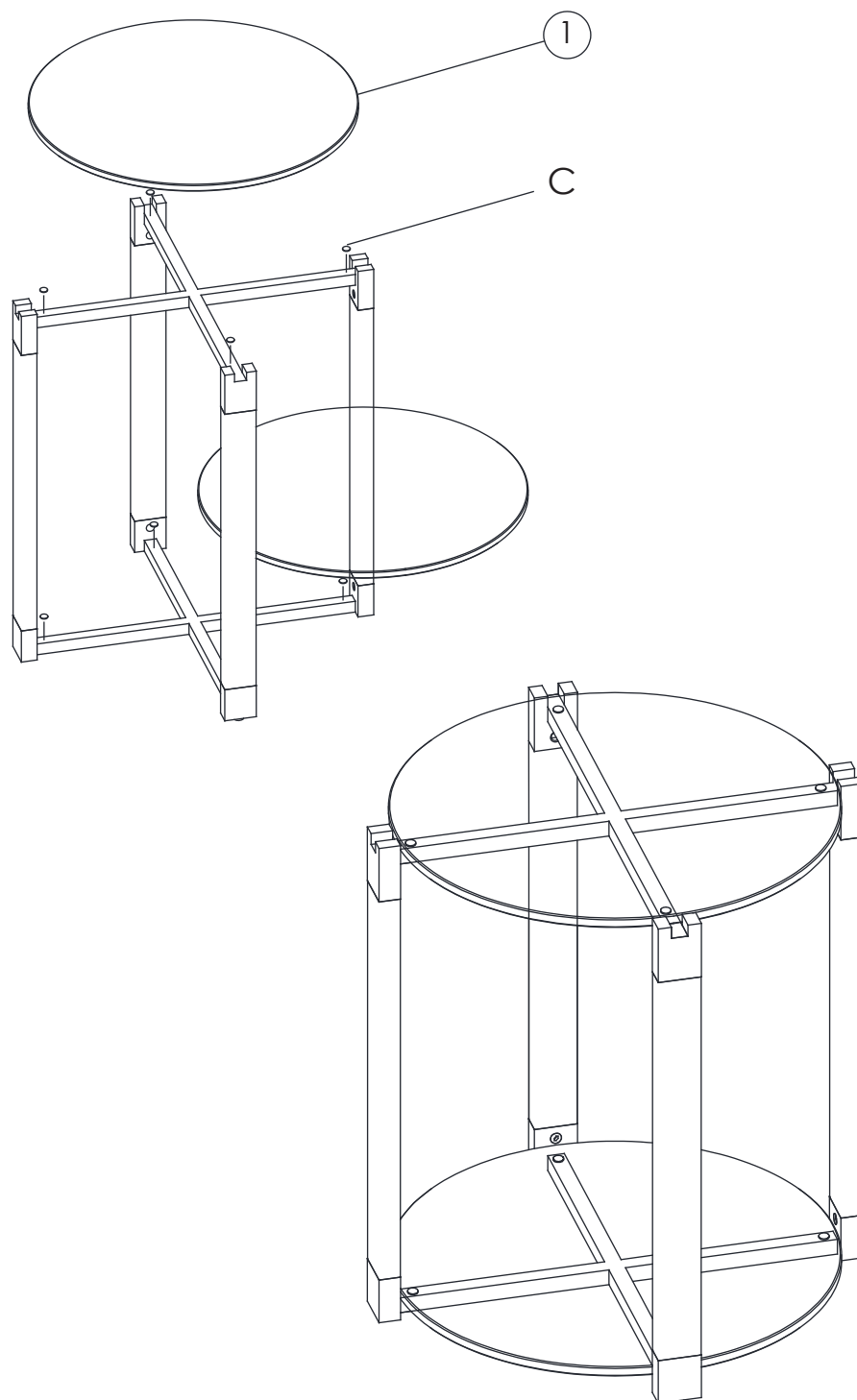




ASSEMBLY INSTRUCTIONS

Ginny side table
SCH-163275

Step 3: Put the glass pad (C) on the upper frame and the bottom frame. Then place the glass top (1) on the glass pad carefully. Tighten bolts (A) securely.



We hope you enjoy this Gabby purchase. Shown: Ginny side table by

