



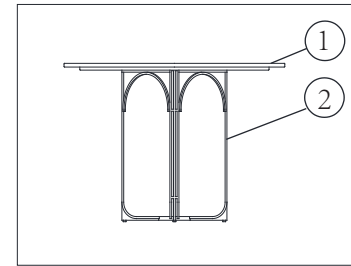
ASSEMBLY INSTRUCTIONS

Greene dining table
SCH-161115

TOOLS INCLUDE:

NO.	Hardware List	QTY
A	Hex head bolt 5/16"x19MM	4pcs
B	Lock washer 5/16"	4pcs
C	Flat washer 5/16"	4pcs
D	Allen wrench 5MM	1pc

PARTS INCLUDE:
1-stone top x1pc
2-base x1pc



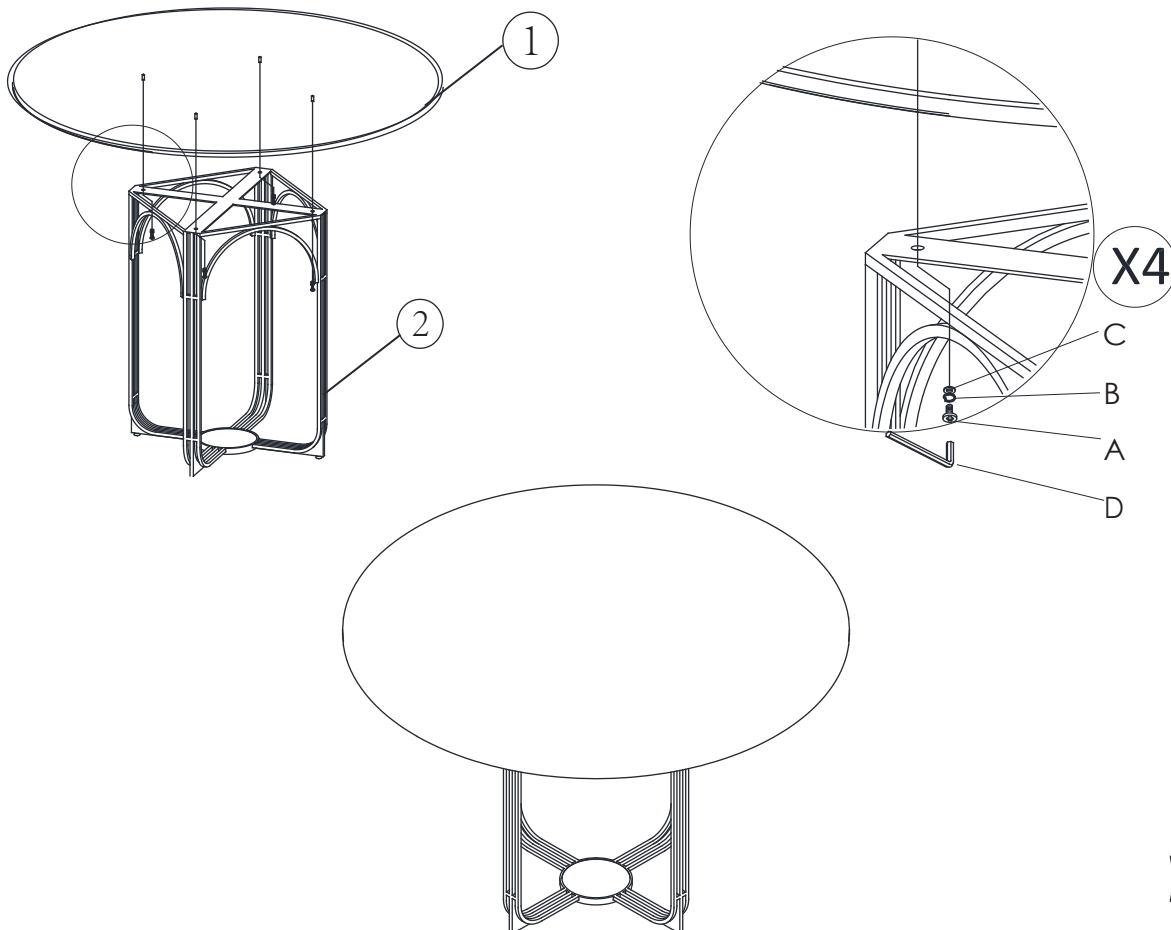
Prior to assembly, unwrap all the parts and components on a carpeted or non-abrasive surface.
2 persons required for assembling.

Stones are natural material, there will be variations of pattern, color and veining in each piece. Therefore, each stone top will not look identical to the ones in showrooms or website. Please enjoy the beauty of the natural stone.

TABLE TOP IS VERY DELICATE, MUST BE HANDLED WITH CARE!

Step 1: Unwrap the base and the table top from the packaging.

Please put the base (2) on the floor. then put the stone top (1) carefully and match the holes correctly. Assemble the stone top with the base by using hex head bolts(A), lock washers(B), flat washers (C) and allen wrench (D).



We hope you enjoy this Gabby purchase. Shown: Greene dining table by

