



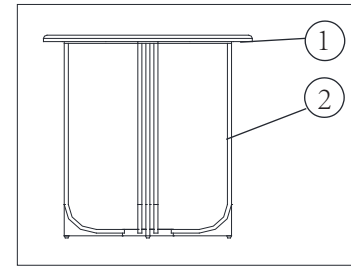
ASSEMBLY INSTRUCTIONS

Greene side table
SCH-161120

TOOLS INCLUDE:

NO.	Hardware List	QTY
A	Hex head bolt 1/4"x13MM	4pcs
B	Lock washer 1/4"	4pcs
C	Flat washer 1/4"	4pcs
D	Allen wrench 4MM	1pc

PARTS INCLUDE:
1-stone top x1pc
2-base x1pc



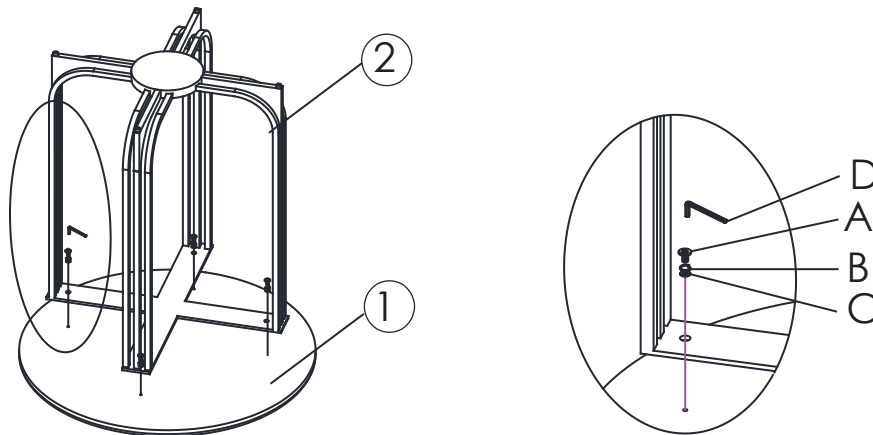
Prior to assembly, unwrap all the parts and components on a carpeted or non-abrasive surface.

Stones are natural material, there will be variations of pattern, color and veining in each piece. Therefore, each stone top will not look identical to the ones in showrooms or website. Please enjoy the beauty of the natural stone.

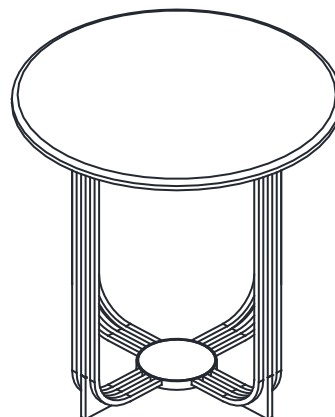
TABLE TOP IS VERY DELICATE, MUST BE HANDLED WITH CARE!

Step 1: Unwrap the base and the table top from the packaging.

Turn the bottom of the stone top ① up, put the base ② on the stone top ① carefully and match the holes correctly. Assemble the stone top with the base by using hex head bolts(A), lock washers(B), flat washers (C) and allen wrench (D).



Step 2: Turn the side table over carefully.



We hope you enjoy this Gabby purchase. Shown: Greene side table by

