



# ASSEMBLY INSTRUCTIONS

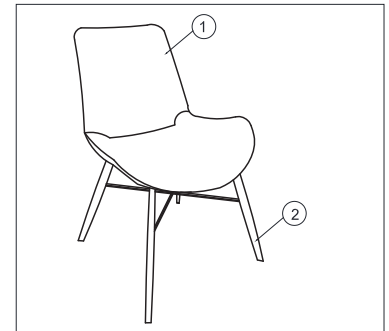
Hines Dining Chair  
SCH-192350

## TOOLS INCLUDE:

NO.	Hardware List	QTY
A	Bolt M6X27	3
B	Lock washer φ6MM	3
C	Flat washer φ6mm	3
D	Hex Wrench 4mm	1

## PARTS INCLUDE:

- ① ---seat x 1pc
- ② ---base x 1pc

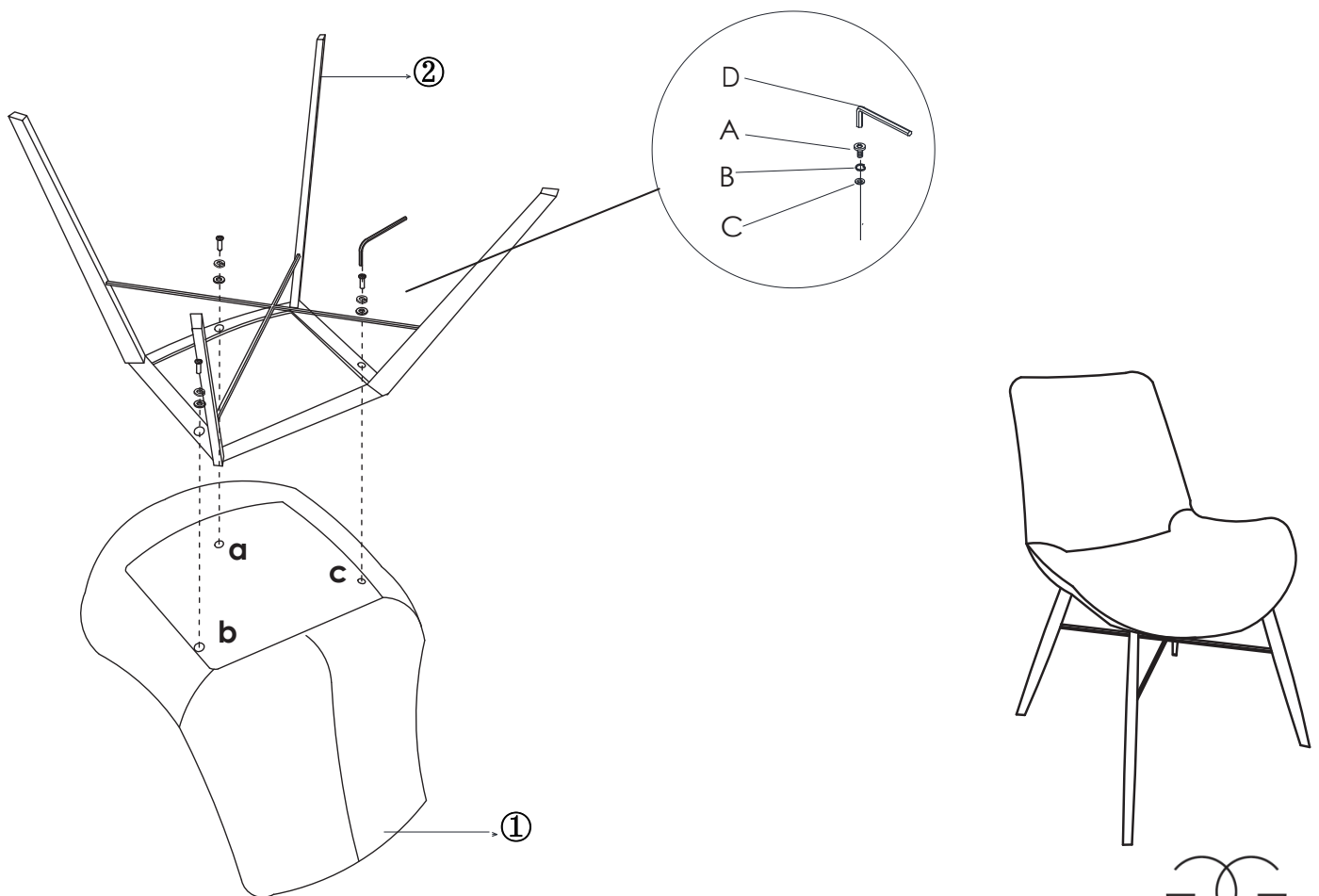


WE RECOMMEND TWO ADULTS FOR EASE OF ASSEMBLY.

Prior to assembly, unwrap all the parts and components on a carpeted or non-abrasive surface.

Step 1: Unwrap the base and the seat from the packaging.

Step 2: Place the base ② on the seat ① aligned to the 3 holes **a-b-c**, then insert 3pcs bolts **A** through the lock washer **B**, flat washer **C** into the 3 holes, finally hand-tighten the bolts **A** by hex wrench **D**.



We hope you enjoy this Gabby purchase. Shown: Hines Dining Chair by GABBY®