



SCH-169265 ISAAC LONG CABINET ASSEMBLY INSTRUCTION

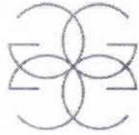
HARDWARE INCLUDE :

- A. 2- Anti Tip Kit
 - I. 4 -Small Screw
 - II. 4- Large Screw
 - III. 4-Bracket
 - IV. 2-Retention Belt



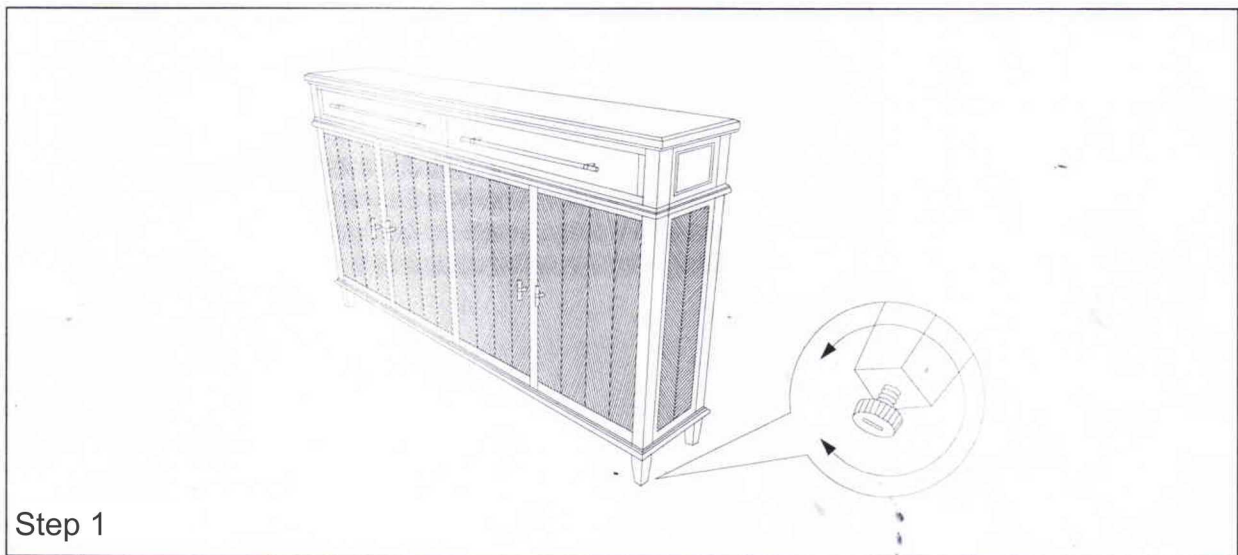
HARDWARE :



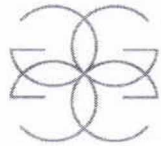


GABBY®

SCH-169265 ISAAC LONG CABINET
ASSEMBLY INSTRUCTION

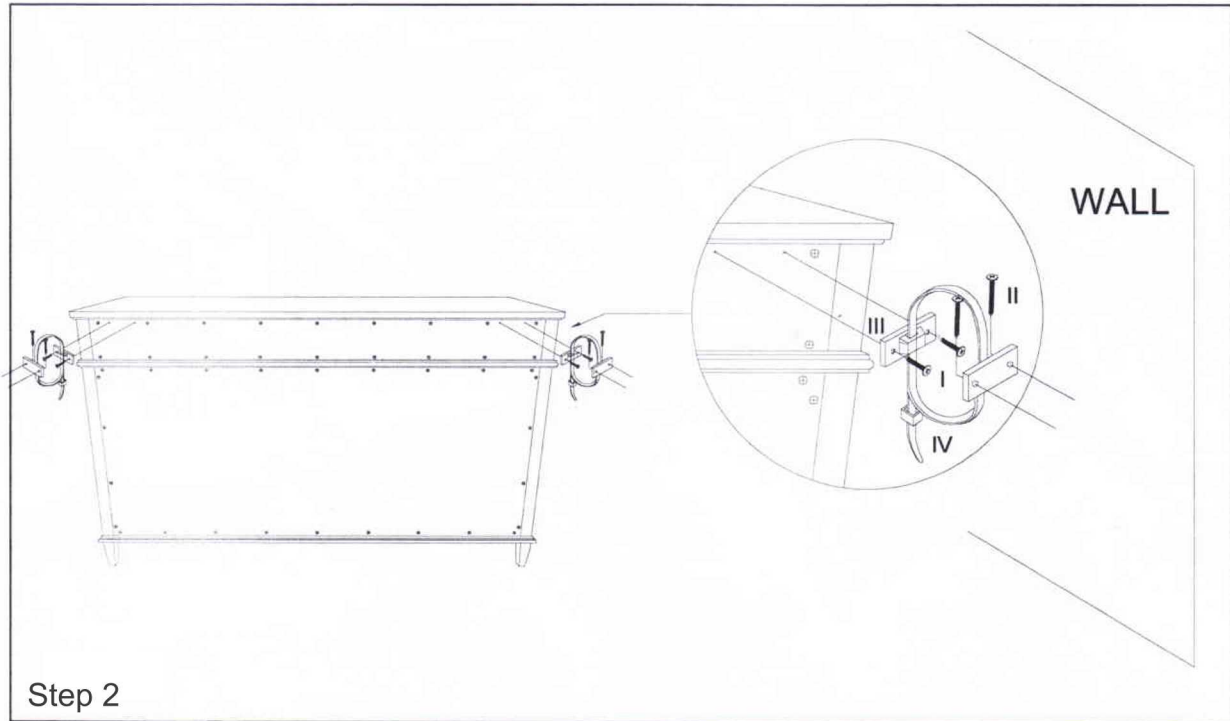


- If the floor is uneven adjust the levelers located at the underside of the Base, to do this lift Up the side that need to be elevated to provide access to the levelers, turn the leveler until adequate contact with the floor.



GABBY®

SCH-169265 ISAAC LONG CABINET ASSEMBLY INSTRUCTION



Step 2

Attach the Brackets (III) horizontally to the top of the back of the Cabinet using the Small Screws (I). Screw the remaining Brackets (III) vertically 1 inch below the brackets attached to the Cabinet using the large screws (II). The Large Screws (II) should be screwed into a stud in the wall. Align the Brackets vertically and string in the Retention Belt (IV). Confirm Strap is securely laced and locked.