



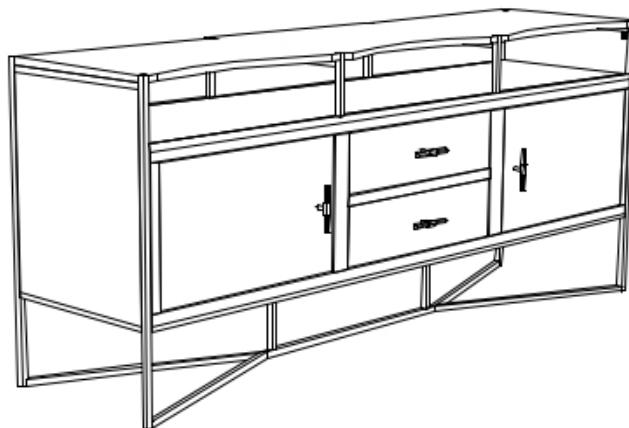
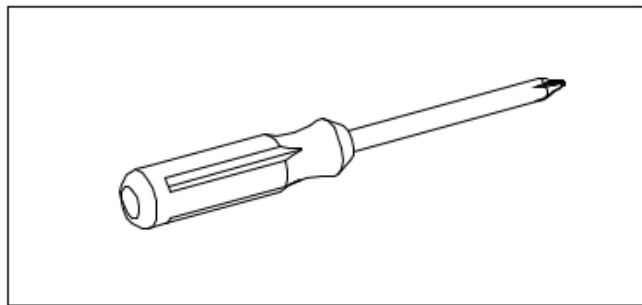




JAMESON MEDIA CABINET ASSEMBLY INSTRUCTION

HARDWARE LIST				
No	Description	DRAWING	Stock Size	QTY
A.	Small Screw		3.5 x 15	04
B.	Large Screw		3.5 x 30	04
C.	Bracket			04
D.	Retention Belt			02

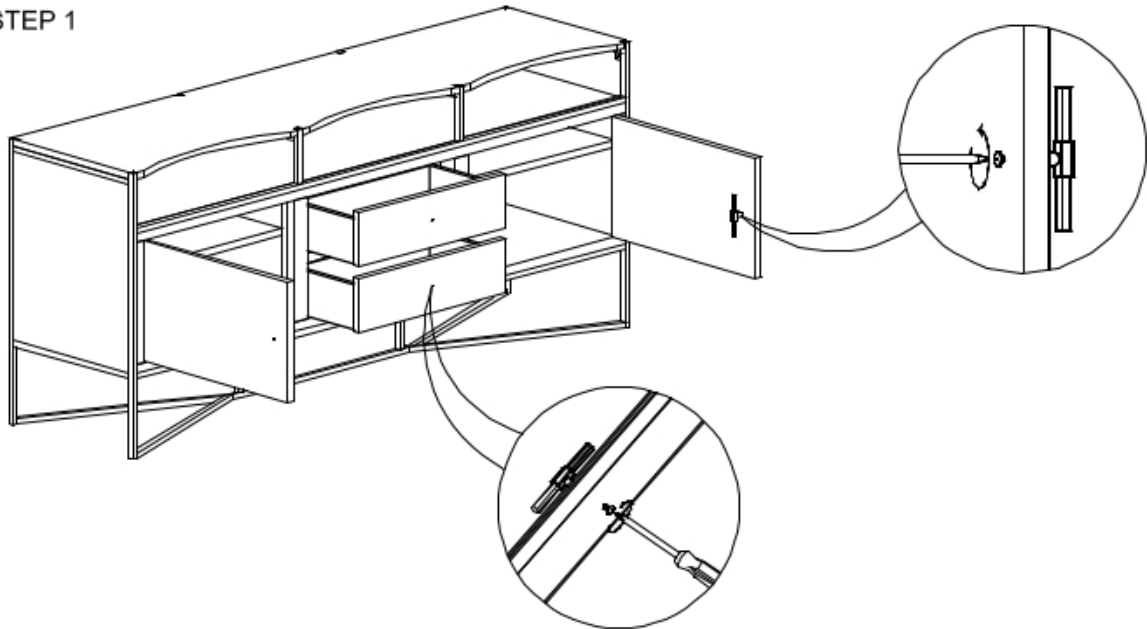
NOT PROVIDED :



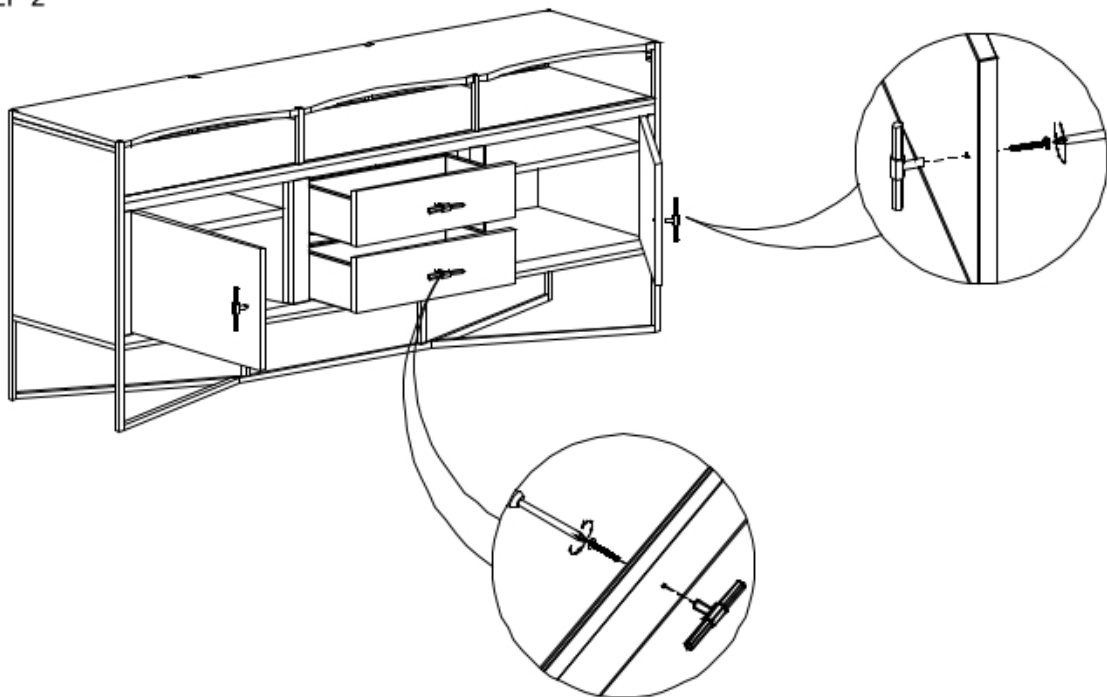


JAMESON MEDIA CABINET ASSEMBLY INSTRUCTION

STEP 1



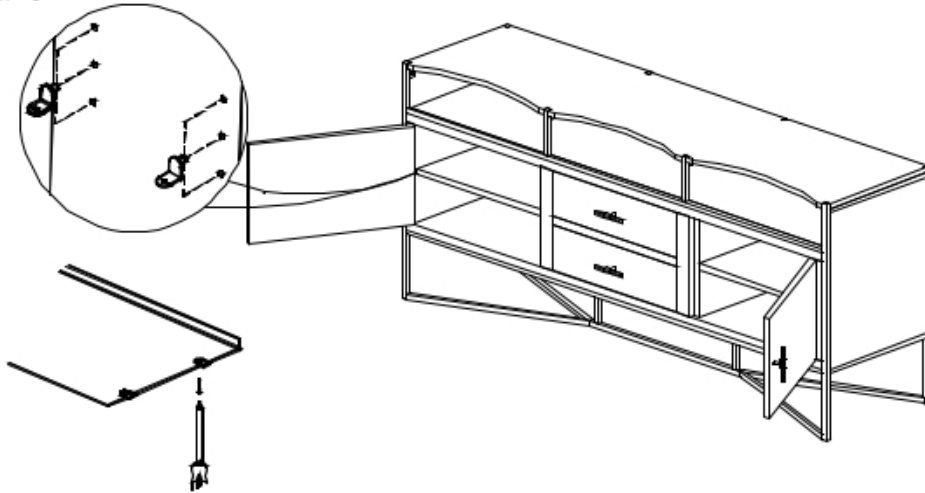
STEP 2





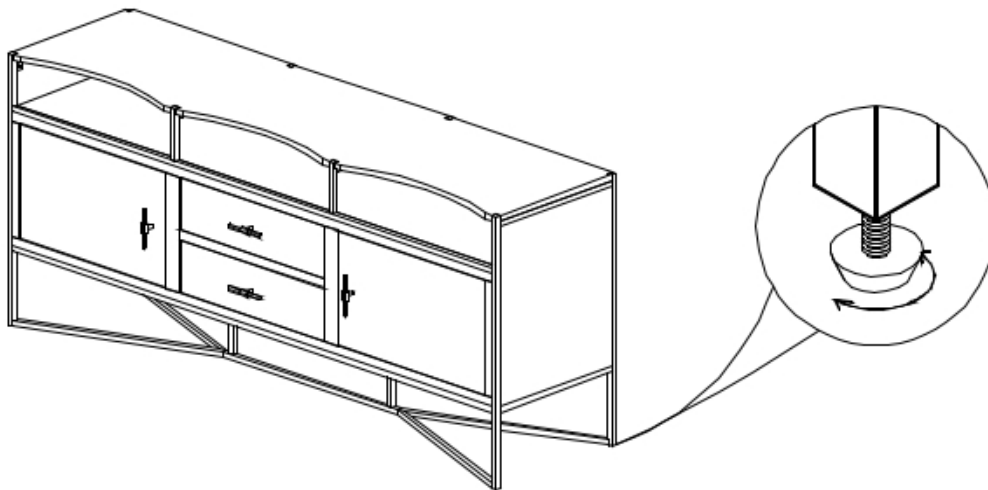
JAMESON MEDIA CABINET ASSEMBLY INSTRUCTION

STEP 3



- To remove adjustable shelves, remove screw from shelf support, then carefully lift shelves up and out of the case. To reposition adjustable shelves, insert Stem of shelf support into Holes in End Panel, as shown. Rest the shelf on the shelf support, and reinstall screws.

STEP 4

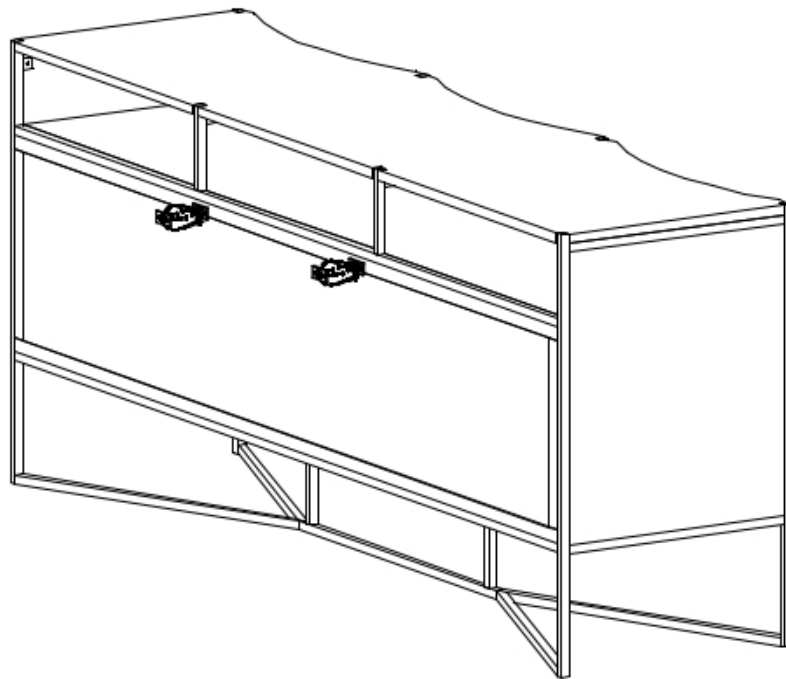
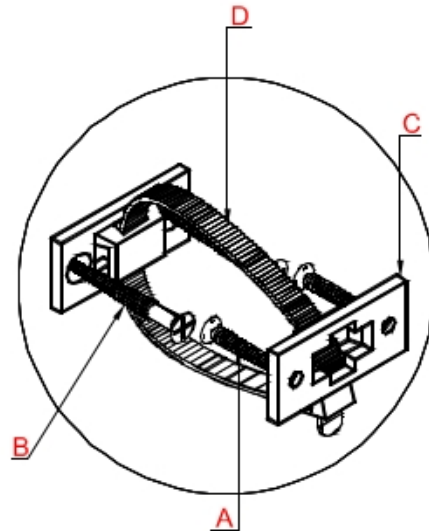


- If the floor is uneven adjust the levelers located at the underside of the Leg, to do this lift Up the side that need to be elevated to provide access to the levelers, turn the leveler until adequate contact with the floor.



JAMESON MEDIA CABINET ASSEMBLY INSTRUCTION

STEP 5



- Attach the Brackets (C) horizontal to the top back of the table using the small screws (a) .Screw the remaining Brackets (C) vertically 1 inch below the brackets attached to the table using the large screws (B) . The Large Screws (B) should be screwed into a stud in the wall. Align the Brackets vertically and string in the Retention Belt (D) . Confirm strap is Securely laced and locked