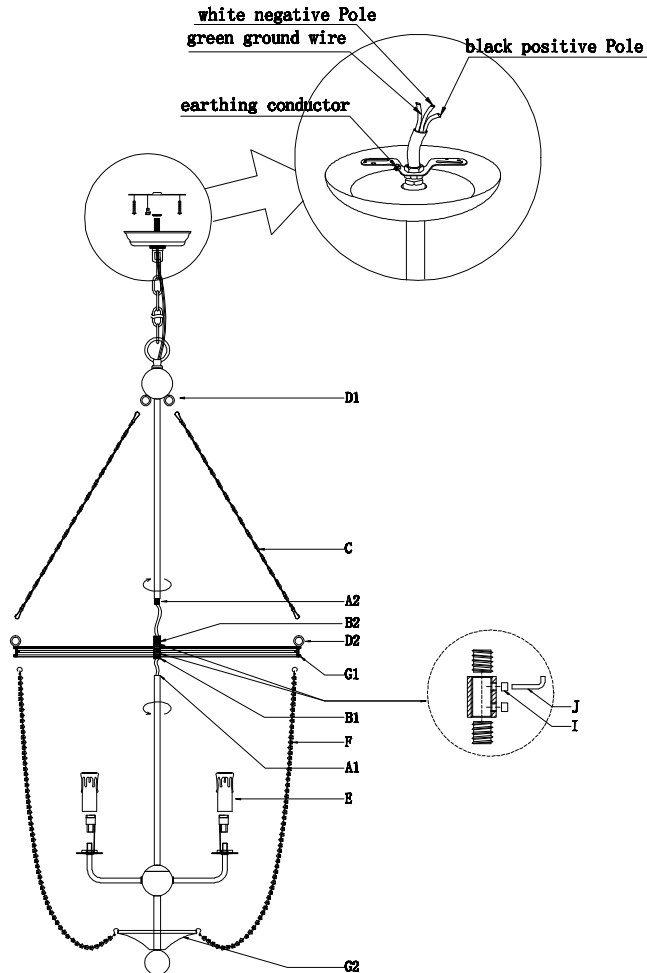




ASSEMBLY INSTRUCTIONS

Jennifer Chandelier
SCH-168040

- (1) Important Notes: Prior to assembly, unwrap all parts and components on a carpeted or non-abrasive surface, then use clean hands to hang and install the chandelier.
- (2) Screw (A2) TUBE in (B2) NUT tightly.
- (3) Screw (A1) TUBE in (B1) NUT tightly.
- (4) Hang (C) TWISTY CHAIN to (D1) and (D2) RINGS
- (5) Hang up the chandelier. Cover socket by (E) Candle Sleeve 4pcs.
- (6) Hang (F) STONE BEADS 70pcs to (G1) TOP RING and (G2) BOTTOM RING
- (7) Make sure all things are in correct place then tighten the screw (I) for (B1) and (B2) NUTS by using the Allen wrench (J) provided.
- (8) Thread wire through chain every 3 links



ASSEMBLY INSTRUCTIONS

Jennifer Chandelier
SCH-168040

- (1) Important Notes: Prior to assembly, unwrap all parts and components on a carpeted or non-abrasive surface, then use clean hands to hang and install the chandelier.
- (2) Screw (A2) TUBE in (B2) NUT tightly.
- (3) Screw (A1) TUBE in (B1) NUT tightly.
- (4) Hang (C) TWISTY CHAIN to (D1) and (D2) RINGS
- (5) Hang up the chandelier. Cover socket by (E) Candle Sleeve 4pcs.
- (6) Hang (F) STONE BEADS 70pcs to (G1) TOP RING and (G2) BOTTOM RING
- (7) Make sure all things are in correct place then tighten the screw (I) for (B1) and (B2) NUTS by using the Allen wrench (J) provided.
- (8) Thread wire through chain every 3 links

